



Before using this EZG Mixer®,  
study and understand entire  
Owner's Manual.

Serial Number \_\_\_\_\_



**EZG9 / EZGE9  
MIXER®  
9ft<sup>3</sup>(0.25m<sup>3</sup>)**

**Mixing Station  
Owner's Manual**



**EZG9 Mixer®**  
**EZG MANUFACTURING**  
**1-800-417-9272**

EZG Manufacturing

1-800-417-9272

[www.ezgmfg.com](http://www.ezgmfg.com)

**EZG Manufacturing**  
**405 Watertown Road**  
**Waterford, Ohio 45786**

**(740) 749-3512 or 1-800-417-9272**

**Fax (740) 962-2037 [www.ezgmfg.com](http://www.ezgmfg.com)**

Rev-004

10/28/21

2

# TABLE OF CONTENTS

INTRODUCTION.....	3
ABOUT THIS MANUAL.....	3
GENERAL INFORMATION.....	3
SAFETY INFORMATION.....	3
SAFETY PRECAUTIONS.....	4-5
CALIFORNIA PROPOSITION 65 WARNING.....	6
SETUP INSTRUCTIONS.....	6
OPERATING INSTRUCTIONS.....	7
DAILY MAINTENANCE.....	7
OBTAINING SPARE PARTS.....	8
CLEANUP.....	8
SERVICE RECORDS.....	8
WARNING LABELS AND LOCATIONS.....	9
FRAME & AXLE ASSEMBLY.....	10
DRUM & PADDLE ASSEMBLY.....	11
DRIVE ASSEMBLY.....	12
GREASE FITTING LOCATION.....	13
AXLE & HUB ASSEMBLIES.....	14
SHAFT ASSEMBLY.....	15
SEAL KIT.....	16
OPTIONS.....	17
NOTES.....	18
WARRANTY.....	19
WARRANTY REGISTRATION.....	20

# INTRODUCTION

Congratulations on purchasing one of the finest pieces of masonry equipment on the market today! If this is your first EZG Manufacturing product, you will not be disappointed. If you have previously owned an EZG Manufacturing product you will find the same high quality and dependability that you have come to expect from EZG Manufacturing.

## ABOUT THIS MANUAL

The purpose of this manual is to inform the owner/employer/and the operator, how to safely operate this piece of equipment, and make them aware of any hazards. It also contains important information regarding assembly, set up, operation, and maintenance. It is the Owner/Employers responsibility to make sure that anyone who operates this machine understands all safety warnings. If you do not understand any items in this manual, please contact the dealer where this product was purchased, or the manufacturer at the number listed throughout this manual. If you have any suggestions about how to make this manual easier to understand, contact the manufacturer. Keep this manual available for reference wherever this piece of equipment is being used and make it available to any operators.

## GENERAL INFORMATION

Illustrations in this manual may show details or components that may not be the same as your machine. Continuing improvements to the design of this machine may have caused changes that are not included in this manual. The information in this document is subject to change without notice.

## SAFETY INFORMATION

The following safety symbols and signal words will be used throughout this manual and on the product, for your safety and the safety of others, please become familiar with their meaning and heed their warnings.



**This symbol, either used alone or with a signal word, is used to call your attention to instructions involving your safety and/or the safety of others. Failure to follow these instructions will likely result in personal injury or death.**



**DANGER**

**This signal word is used to identify a hazard which, if not avoided, will result in death or serious injury.**



**WARNING**

**This signal word is used to identify a hazard which, if not avoided, could result in death or serious injury.**



**CAUTION**

**This signal word is used to identify a hazard which, if not avoided, could result in minor or moderate injury.**

**NOTICE**

**This signal word is used to identify a hazard which, if not avoided, could result in property or equipment damage. It also may be used for special instructions related to performance, maintenance or general items.**

# SAFETY PRECAUTIONS



## WARNING

**Failure to obey the following safety instructions could result in DEATH or SERIOUS INJURY.**

Read and understand entire manual before operating the EZG9 Mixer®

For your safety and the safety of others, replace any missing or damaged warning decals by contacting the manufacturer at 1-800-417-9272.

Make sure anyone operating the EZG9 Mixer® is thoroughly familiar with its operation. Keep all unauthorized and untrained personnel, especially children away from EZG9 Mixer®.

Never operate machine with safety grate, guards or safety devices removed or open. Do not alter any safety guards.

Stay clear of mixing paddles while machine is running. Keep all body parts, clothing, jewelry and solid objects away from all moving parts.

Never perform any work on the EZG9 Mixer® while it is running. Before working on or cleaning the EZG9 Mixer®, shut off engine and disconnect spark plug wire.

Never operate the EZG9 Mixer® under the influence of alcohol, drugs, or medications.

This EZG9 Mixer® has been designed and built as a material mixing station, and should not be used for anything other than its intended purpose.

Model	Empty Weight	Max Gross Weight
EZG9	895 Lbs.(405.9 kg)	2195 lbs.(995.6 kg)

Do not exceed Maximum Gross Weight

Never stand under an elevated EZG9 Mixer®.

Stay clear of moving parts while machine is in operation.

When towing, refer to vehicle manufactures specs to insure load capacity is not exceeded.

Always check axle,tires, and safety chains before towing EZG9 Mixer®.

Always cross and connect safety chains before towing EZG9 Mixer®.

Never attempt to ride the EZG9 Mixer®.

# SAFETY PRECAUTIONS



## **WARNINGS continued**

Operate only in properly vented environments. The mixer requires a free flow of air and emits carbon monoxide gas.

Avoid breathing dust produced while using the EZG9 Mixer®. Dust may contain crystalline silica and may cause serious health problems.

Do not operate near combustible materials.

Do not smoke around EZG9 Mixer®.

Always know the location of nearest fire extinguishers, first aid kit, and emergency personnel phone numbers in case of emergency.



## **CAUTION**

**Failure to obey the following safety instructions could result in MINOR or MODERATE INJURY.**

Inspect all hoses, fasteners, bolts and welds for nicks, cracks, cuts, damage, wear or looseness before each use. Repair as needed.

Always wear approved PPE, including glasses, hearing protection, hard hats, and ventilation masks when operating a EZG9 Mixer®.

Do not use the EZG9 Mixer® as a lifting device or with accessories or attachments not recommended by EZG Manufacturing, as damage to equipment or operator might result.

Avoid contact with hot hydraulic fluid.

Allow system to cool before performing any repairs or service, such as adding fuel or oil.

## ***NOTICE***

Use only factory authorized parts.

Used Lubricants such as engine and hydraulic oil, and hazardous waste must be taken to an authorized disposal or recycling center.

Consult Honda® owner's manual for engine maintenance and warnings.

## California - Proposition 65 Warning

Engine exhaust and some of its constituents, and some dust created by power sanding, sawing, grinding, drilling, and other construction activities contains chemicals known to the State of California to cause cancer, birth defects and other reproductive harm. Some examples of these chemicals are:

Lead from lead based paints - Crystalline silica from bricks -Cement and other masonry products -Arsenic and chromium from chemically treated lumber

Your risk from these exposures varies, depending on how often you do this type of work. To reduce your exposure to these chemicals: ALWAYS work in a well ventilated area, and work with approved safety equipment, such as dust masks that are specially designed to filter out microscopic particles.

## SETUP INSTRUCTIONS

Before operating the EZG9 Mixer® it should be properly set up on the jobsite. The EZG9 Mixer® may be lifted by using a forklift. The EZG9 weighs 895 lbs.(405.9 kg) empty and 2195 lbs.(995.6 kg) full. Check forklift ratings before attempting to move the EZG9 Mixer®.

The EZG9 Mixer® is equipped with (2) wheels and a tow tongue.

1. Position the EZG9 Mixer® at point of operation.
2. Disconnect EZG9 Mixer® from towing vehicle.
3. Lower tongue until mixer is level.
4. Verify that the mixer foot is touching the ground and that the EZG9 Mixer® is level and cannot rock in any direction.
5. Perform the daily maintenance as described in the “Daily Maintenance” section of this manual.

# OPERATING INSTRUCTIONS



**Warning! This equipment is to be operated by trained and qualified personnel over the age of 18. Death or serious injury can result.**

1. Slide forks under the EZG9 Mixer® and place in desired location.
2. Level unit and chock wheels.
3. Start engine.

*See engine manuals for proper procedure.*

4. Fill with material, add water and mix to desired consistency and dump.



**Warning! NEVER put your hands inside mixer drum while equipment is running. Death or serious injury can result.**

## DAILY MAINTENANCE



**Warning! Before performing any described maintenance items, make sure engine is turned off and spark plug wire is disconnected. Death or serious injury can result.**

1. Check engine oil daily.
2. For engine maintenance, refer to the engine manufacturer's manual furnished with the EZG9 Mixer®.
3. Check and grease all grease fittings.  
(Grease fitting location can be found on the Grease Fitting Location drawing in this manual)
4. For maximum performance, thoroughly clean inside and out at mid-day or lunch break and again at the end of each day's use. Do not allow a buildup of material to form on the blades and seals.
6. Check equipment for leaks. Fix any leaks before operating the EZG9 Mixer®.
7. Check all welds and bolts. If a cracked weld is found, do not operate the EZG9 Mixer® until repaired by qualified personnel. Tighten any loose bolts.
8. Check Paddle Shaft Seal for excessive wear. If any mortar or concrete is leaking past the seal, change the seals immediately.
9. Check paddle rubbers for wear. Adjust or replace as needed.

## **OBTAINING SPARE PARTS**

Spare parts for your EZG9 Mixer® may be obtained by the following procedure:

1. Record the information from the serial number tag located on the frame.
2. Using the parts reference table in this manual, record the part number or component.
3. Contact your local EZG9 Mixer® dealer or EZG Manufacturing at 1-800-417-9272 with the information recorded.

## **CLEANUP**

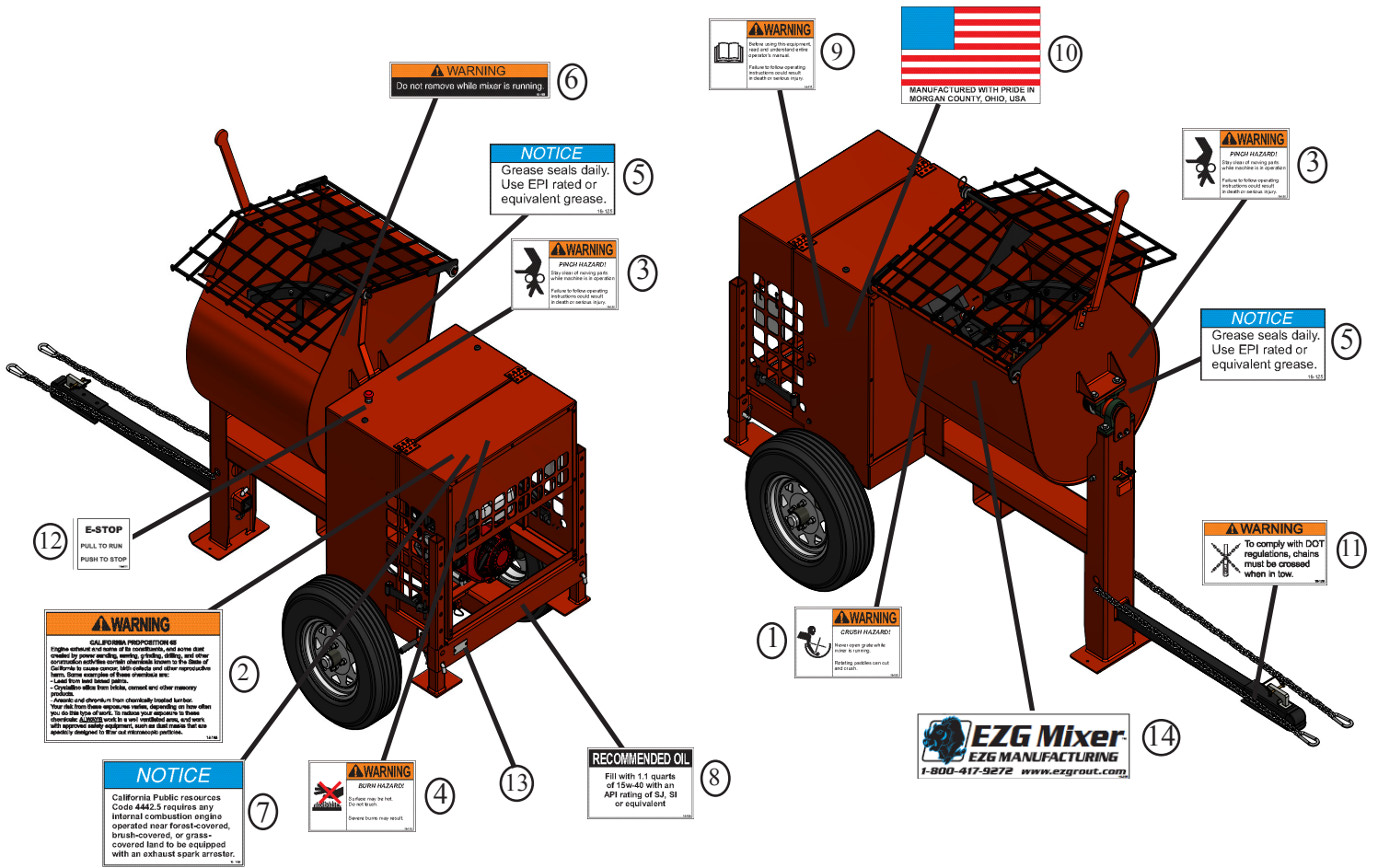
1. Turn off engine and disconnect spark plug wire.
2. For maximum performance, thoroughly clean inside and out at mid-day or lunch break and again at the end of each day's use. Do not allow a buildup of materials to form on the blades and seals.
3. Hose out and brush down mixing drum, then spray and brush paddles until all excess material is removed
4. Grease the fittings and brush the face of drum seals until clean.

## **SERVICE RECORDS**

SERVICE PERFORMED	DATE	INITIALS



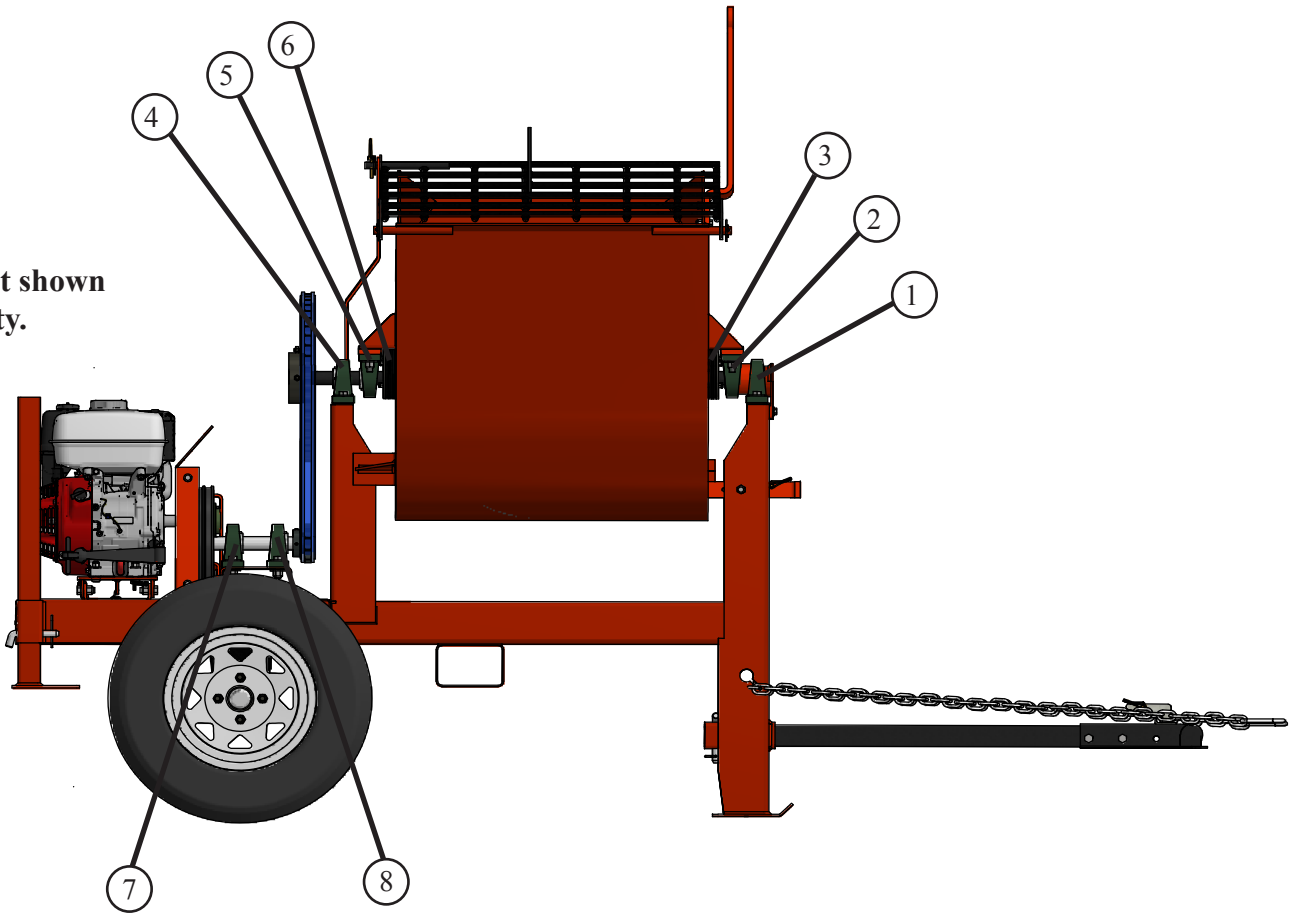
# WARNING LABELS AND LOCATIONS



ITEM	PART NUMBER	DESCRIPTION	QTY
A	16-213	EZG9 Decal Kit	1
1		Never Open Grate Decal	1
2		Proposition 65 Decal	1
3		Small Pinch Point Decal	2
4		Hot Surface Decal	1
5		Grease Seals Daily Decal	2
6		Do Not Remove Decal	1
7		California Public Resources Decal	1
8		Fill with 1.1 Quart Decal	1
9		Read Owners Manual Decal	1
10		U.S. Flag Decal	1
11		DOT Cross Chains Decal	1
12		E-STOP Label	1
13		Serial Tag Location	1
14		EZG Mixer Decal	1

# GREASE FITTING LOCATIONS

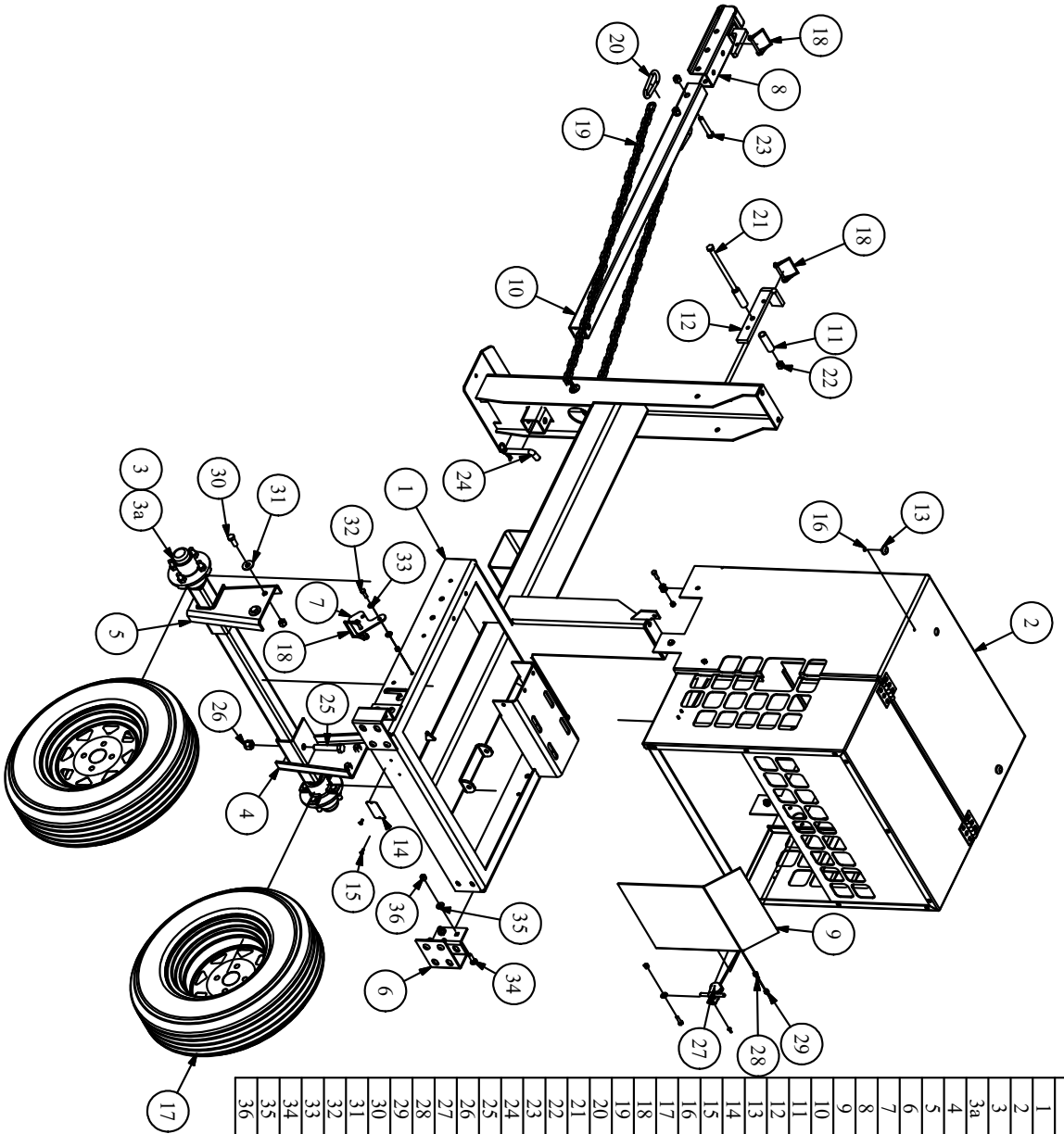
Hood not shown  
for clarity.



ITEM	DESCRIPTION
1	BEARING
2	BEARING
3	SHAFT SEAL
4	BEARING
5	BEARING
6	SHAFT SEAL
7	BEARING
8	BEARING

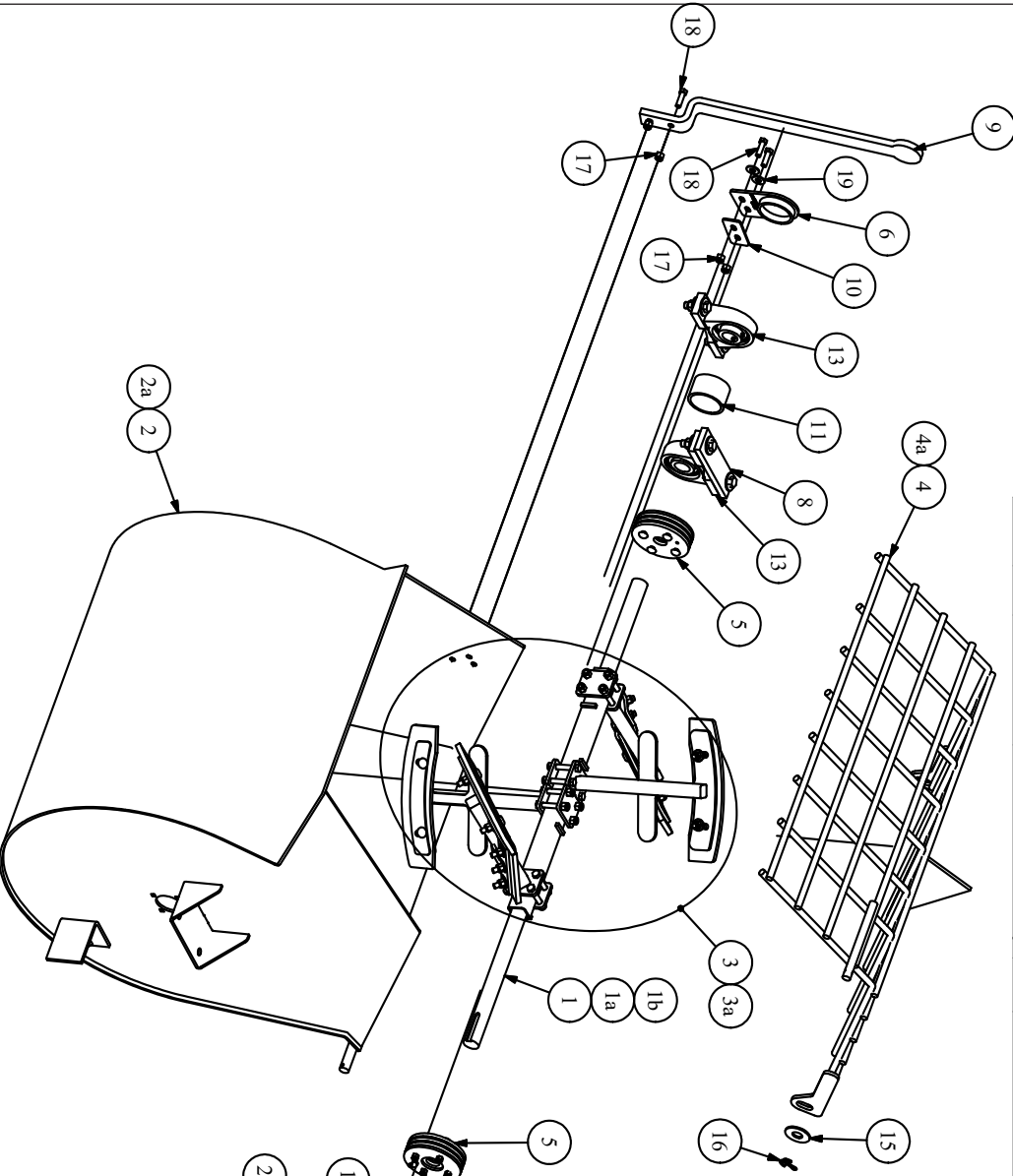
**NOTE: Check ALL grease fittings daily. Grease as needed.**

# EZG9 Frame & Axle Assembly



PARTS LIST		
ITEM	QTY	PART NUMBER DESCRIPTION
1	1	EZG9-A-1 EZG9 Frame Assembly (348+)
2	1	EZG9-A-2 EZG9 Hood Assembly
3	1	EZG-A-35 EZG Axle Assembly With Hubs (664+)
3a	1	EZG-A-2 EZG Axle Assembly With Hubs (001-663)
4	1	EZG-A-7 EZG Axle Mount Assembly-Load Side
5	1	EZG-A-8 EZG Axle Mount Assembly-Dump Side
6	2	EZG-102 EZG-Bolt On Leg Pocket
7	1	EZG-103 EZG Motor Lock
8	1	EZG-2 EZG 2" Ball Receiver
9	1	EZG-4 EZG Pully Guard
10	1	EZG-500 EZG Mixer Tongue Tube
11	1	EZG-504 EZG Lock Spacer 7/8" x .109" Wall Tube 3 3/16" Long
12	2	EZG-7 Drum Lock Lever
13	2	20-139 9541K3 10-24 Rubber Bumper
14	1	20-126 Blank Metal Plates
15	6	20-105 Rivets for Name Plates
16	2	09-224 #10-24 Hex Nut
17	2	07-136 175-80-R13 Deestone 6-ply 13" 4-Lug (EZG)
18	3	09-407 5/16" Latch Pin
19	1	EZG-A-25 EZG Mixer Tow Safety Chain Assy w/ Clips
20	2	09-702 Carabiner Style Connector (EZG)
21	1	09-323 1/2"-13 x 7 1/2" Bolt
22	7	09-208 1/2"-13 Nylon Nut
23	2	09-321 1/2"-13 x 3" GR5 Bolt
24	1	09-418 Hitch Pin Assembly
25	2	09-380 5/8"-11 x 3 1/2" GR8 Bolt-Zinc
26	2	09-210 5/8"-11 Nylon Nut
27	2	20-103 Hood Hold Down Strap Complete Kit
28	2	09-341 5/16"-18 x 3/4" GR5 Bolt
29	9	09-202 5/16"-18 Nylon Nut
30	4	09-316 1/2"-13 x 1 1/4" GR5 Bolt
31	4	09-107 1/2" Flat Washer
32	7	09-342 5/16"-18 x 1" GR5 Bolt
33	12	09-104 1/4" Flat Washer
34	8	09-373 3/8"-16 x 1 1/4" Carriage Bolt
35	8	09-139 5/16" Flat Washer
36	8	09-204 3/8"-16 Nylon Nut

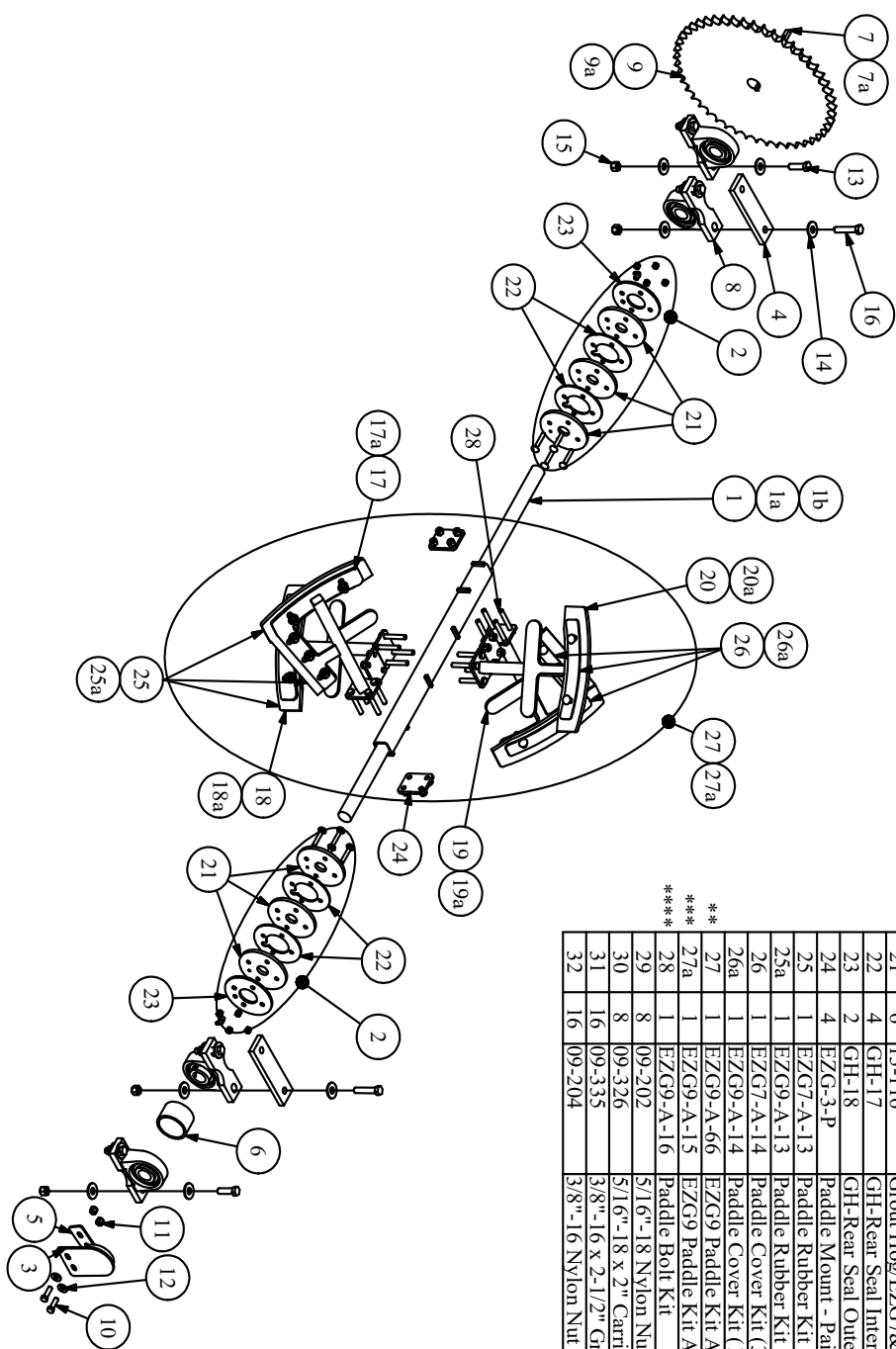
PARTS LIST			PARTS LIST				
ITEM	QTY	PART NUMBER	DESCRIPTION	ITEM	QTY	PART NUMBER	DESCRIPTION
1	1	EZG9-A-84	EZG9 Paddle Shaft Assembly (586+) (10mm Key)	5	1	EZG-A-17	EZG 7 & 9 Paddle Shaft Seal Kit
1a	1	EZG9-A-64	EZG9 Paddle Shaft Assembly (348-585) (3/8" Key)	6	1	EZG9-A-5	Shaft End Guard Assembly
1b	1	EZG9-A-4	EZG9 Paddle Shaft Assembly (1-347)	7	1	EZG9-1	EZG9 Grate Opener Bar
2	1	EZG9-A-65	EZG9 Drum Assembly (348+)	8	2	EZG-1	EZG Bearing Spacer
2a	1	EZG9-A-3	EZG9 Drum Assembly (1-347)	9	1	EZG-8	EZG Drum Dump Handle
3	1	EZG9-A-66	EZG9 Paddle Kit All But Shaft (348+)	10	1	EZG-70	EZG Shaft Guard Plate Shim
3a	1	EZG9-A-A15	EZG9 Paddle Kit All But Shaft (1-347)	11	1	EZG-505	EZG Shaft Collar
4	1	EZG9-A-67	EZG9 Grate Assembly (348+)	12	1	09-400	1/4" Linch Pins
4a	1	EZG9-A-6	EZG9 Grate Assembly (1-347)	13	4	15-109	UCP207-20. 1/4" Pillow Block Bearing (EZG)
				14	2	09-109	5/8" Flat Washer
				15	2	09-111	3/4" Flat Washer
				16	2	09-337	3/16" 1/2" Cotter Pin
				17	4	09-204	3/8"-16 Nylon Nut
				18	4	09-310	3/8"-16 x 1 1/4" GR5 Bolt
				19	3	09-105	5/16" Flat Washer
				20	4	09-325	1/2"-13 x 1 3/4" GR5 Bolt
				21	16	09-107	1/2" Flat Washer
				22	8	09-208	1/2"-13 Nylon Nut
				23	4	09-320	1/2"-13 x 2 1/2" Bolt
				24	1	09-202	5/16"-18 Nylon Nut
				25	1	09-342	5/16"-18 x 1" GR5 Bolt
				26	1	EZG9-A-30	EZG9 Drum Kit Complete w/ Grate (1-347)
				27	1	EZG9-A-31	EZG9 Drum Kit Complete w/ Grate (348-585)
				28	1	EZG9-A-32	EZG9 Drum Kit Complete w/ Grate (586+)



\* Drum Kits include all parts listed except for items 6 & 7.

# EZG9 Drum & Paddle Assembly

PARTS LIST			PARTS LIST		
ITEM QTY	PART NUMBER	DESCRIPTION	ITEM QTY	PART NUMBER	DESCRIPTION
1	EZG9-A-84	EZG9 Paddle Shaft Assembly (586+)	11	09-204	3/8"-16 Nylon Nut
1a	EZG9-A-64	EZG9 Paddle Shaft Assembly (348-585)	12	09-105	5/16" Flat Washer
1b	EZG9-A-4	EZG9 Paddle Shaft Assembly (1-347)	4	09-325	1/2"-13 x 1 3/4" GR5 Bolt
* 2	EZG-A-17	EZG 7 & 9 Paddle Shaft Seal Kit	13	09-107	1/2" Flat Washer
3	EZG-A-5	Shaft End Guard Assembly	14	09-107	1/2"-13 Nylon Nut
4	EZG-1	EZG Bearing Spacer	15	09-208	1/2"-13 Nylon Nut
5	EZG-70	EZG Shaft Guard Plate Shim	16	09-320	1/2"-13 x 2 1/2" Bolt
6	EZG-505	EZG Shaft Collar	17	1	EZG9 Tow End Outer Paddle Kit(348+)
7	15-198	Key 10 x 8mm EZG Mixer Shaft key (586+)	17a	1	EZG9-A-11
7a	15-104	3/8" x 1 3/4" Machined Key (MH Shaft Key) (1-585)	18	1	EZG9-A-69
8	15-109	UCP207-20 1 1/4" Pillow Block Bearing EZG	18a	1	EZG9-A-12
9	15-197	Large Sprocket w/Key 10 x 8mm EZG9 (586+)	19	1	EZG9-A-70
9a	15-111	80BS48 1 1/4" SOH Sprocket (EZG)(Large) (1-585)	19a	1	EZG9-A-9
10	09-310	3/8"-16 1/4" GR5 Bolt	20	1	EZG9-A-71
			20a	1	EZG9 Drive End Center Paddle Kit (348+)
			21	6	13-116
			22	4	GH-17
			23	2	GH-18
			24	4	EZG-3-P
			25	1	EZG7-A-13
			25a	1	EZG9-A-13
			26	1	EZG7-A-14
			26a	1	EZG9-A-14
			27	1	EZG9-A-66
			27a	1	EZG9-A-15
			28	1	EZG9-A-16
			29	8	09-202
			30	8	09-326
			31	16	09-335
			32	16	09-204



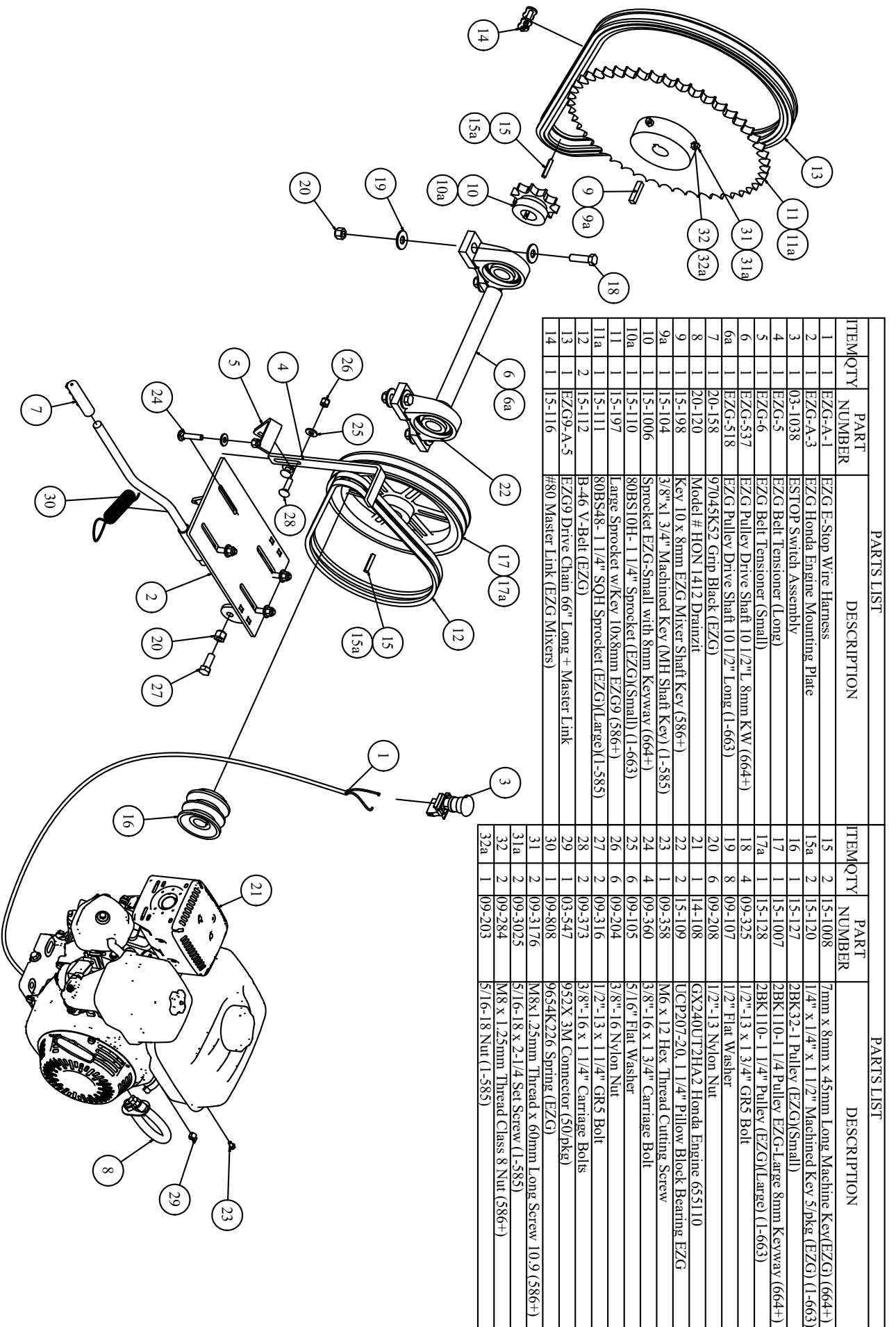
21	6	13-116	Grout Hoop/EZG7&9 Urethane Shaft Seals
22	4	GH-17	GH-Rear Seal Intermediate Plate Spacer
23	2	GH-18	GH-Rear Seal Outer Seal Plate
24	4	EZG-3-P	Paddle Mount - Painted
25	1	EZG7-A-13	Paddle Rubber Kit w/Bolts (No Cover)(348+)
25a	1	EZG9-A-13	Paddle Rubber Kit w/Bolts (No Cover) (1-347)
26	1	EZG7-A-14	Paddle Cover Kit (348+)
26a	1	EZG9-A-14	Paddle Cover Kit (1-347)
27	1	EZG9-A-66	EZG9 Paddle Kit All But Shaft (348+)
27a	1	EZG9-A-15	EZG9 Paddle Kit All But Shaft (1-347)
28	1	EZG9-A-16	Paddle Bolt Kit
29	8	09-202	5/16"-18 Nylon Nut
30	8	09-326	5/16"-18 x 2" Carriage Bolt
31	16	09-335	3/8"-16 x 2-1/2" Grade 8 Bolt
32	16	09-204	3/8"-16 Nylon Nut

- \* EZG-A-17 Paddle Shaft Seal Kit Includes:
  - (6) 13-166 (Item 21)
  - (4) GH-17 (Item 22)
  - (2) GH-18 (Item 23)
  - (8) 09-202 (Item 29) 5/16"-18 Nylon Nut
  - (8) 09-326 (Item 30) 5/16"-18 x 2 Carriage Bolt
- \*\* EZG9-A-66 Paddle Kit Includes:
  - (1) EZG9-A-68 (Item 17)
  - (1) EZG9-A-69 (Item 18)
  - (1) EZG9-A-70 (Item 19)
  - (1) EZG9-A-71 (Item 20)
- \*\*\* EZG9-A-15 Paddle Kit Includes:
  - (1) EZG9-A-10 (Item 20a)
  - (1) EZG9-A-11 (Item 17a)
  - (1) EZG9-A-12 (Item 18a)
  - (1) EZG9-A-9 (Item 19a)
- \*\*\*\* EZG9-A-16 Paddle Bolt Kit Includes:
  - (6) 09-335 (Item 31) 3/8"-16 x 2-1/2" Gr8 Bolt
  - (16) 09-204 (Item 32) 3/8"-16 Nylon Nut

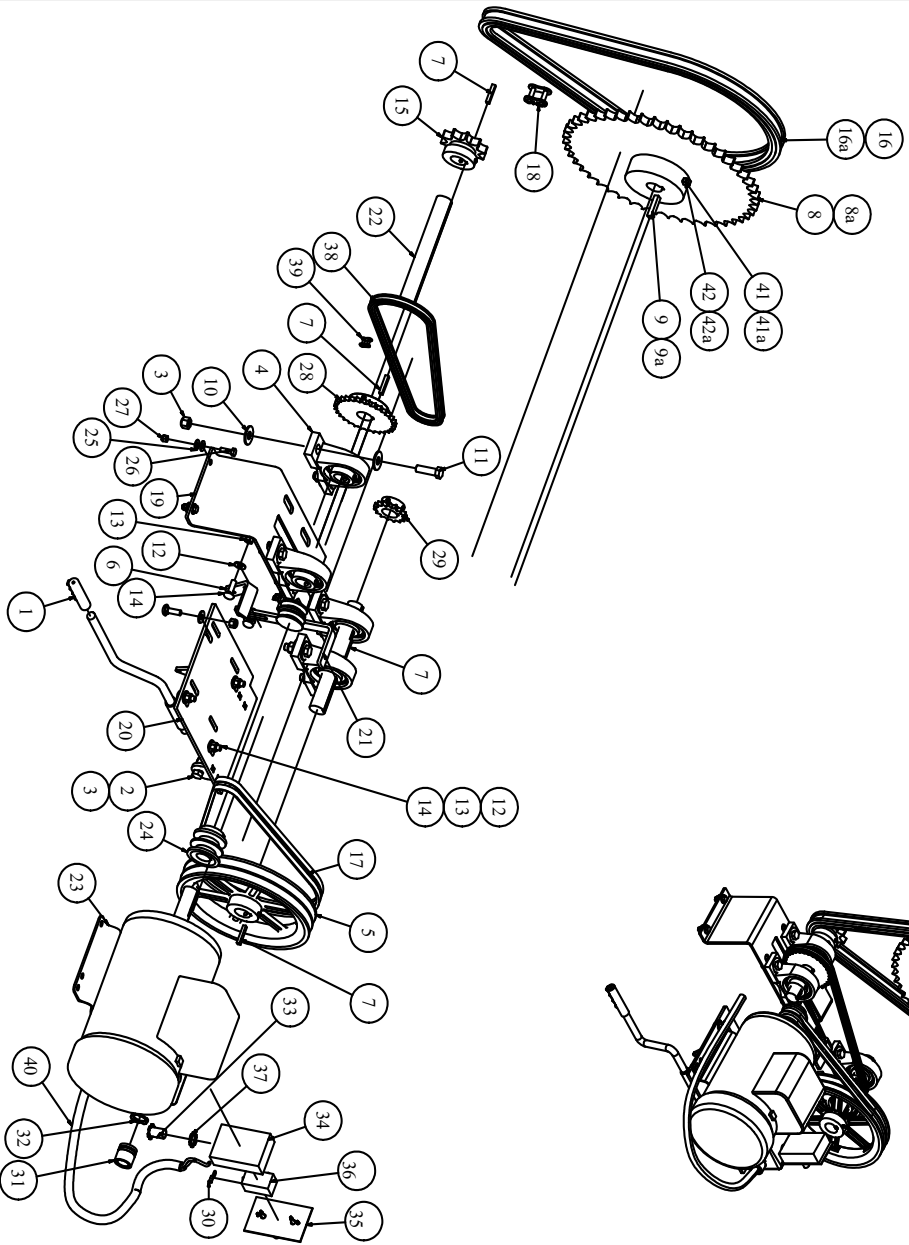
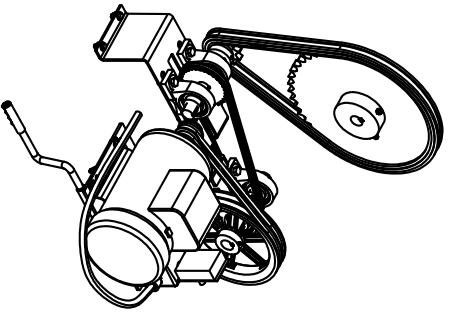
# EZG9 Shaft Assembly



# EZG9 Drive Assembly



PARTS LIST			PARTS LIST		
ITEM QTY	PART NUMBER	DESCRIPTION	ITEM QTY	PART NUMBER	DESCRIPTION
1	EZG-A-1	EZG E-Stop Wire Harness	2	15-1008	7mm x 8mm x 45mm Long Machine Key(EZG) (664+)
2	EZG-A-3	EZG Honda Engine Mounting Plate	15a	15-120	1/4" x 1/4" x 1 1/2" Machined Key 5/pkg (EZG) (1-663)
3	03-1038	ESTOP Switch Assembly	16	15-127	2BK32-1 Pulley (EZG)(Small)
4	EZG-5	EZG Belt Tensioner (Long)	17	15-1007	2BK110-1 1/4" Pulley EZG-(Large 8mm Keyway) (664+)
5	EZG-6	EZG Belt Tensioner (Small)	17a	15-128	2BK110-1 1/4" Pulley (EZG)(Large) (1-663)
6	EZG-537	EZG Pulley Drive Shaft 10 1/2" L. 8mm KW (664+)	18	09-325	1/2" -13 x 1 3/4" GR5 Bolt
6a	EZG-518	EZG Pulley Drive Shaft 10 1/2" Long (1-663)	19	09-107	1/2" Flat Washer
7	20-158	97045K52 Grip Black (EZG)	20	09-208	1/2" -13 Nylon Nut
8	20-120	Model # HON1412 Drainzit	21	14-108	GX240UT2HA2 Honda Engine 655110
9	15-198	Key 10 x 8mm EZG Mixer Shaft Key (586+)	22	15-109	UCP207-20.1 1/4" Pillow Block Bearing EZG
9a	15-104	3/8" x 1 3/4" Machined Key (MH Shaft Key) (1-585)	23	09-358	M6 x 12 Hex Thread Cutting Screw
10	15-1006	Sprocket EZG-Small with 8mm Keyway (664+)	24	09-360	3/8"-16 x 1 3/4" Carriage Bolt
10a	15-110	80BS10H- 1 1/4" Sprocket (EZG)(Small) (1-663)	25	09-105	5/16" Flat Washer
11	15-197	Large Sprocket w/Key 10x8mm EZG9 (586+)	26	09-204	3/8"-16 Nylon Nut
11a	15-111	80BS48- 1 1/4" SQH Sprocket (EZG)(Large) (1-585)	27	09-316	1/2"-13 x 1 1/4" GR5 Bolt
12	15-112	B-46 V-Belt (EZG)	28	09-373	3/8"-16 x 1 1/4" Carriage Bolts
13	EZG9-A-5	EZG9 Drive Chain 66" Long + Master Link	29	03-547	952X 3M Connector (50/pkg)
14	15-116	#80 Master Link (EZG Mixers)	30	09-808	9654K226 Spring (EZG)
			31	09-3176	M8x1.25mm Thread x 60mm Long Screw 10.9 (586+)
			31a	09-3025	5/16-18 x 2-1/4 Set Screw (1-585)
			32	09-284	M8 x 1.25mm Thread Class 8 Nut (586+)
			32a	09-203	5/16-18 Nut (1-585)



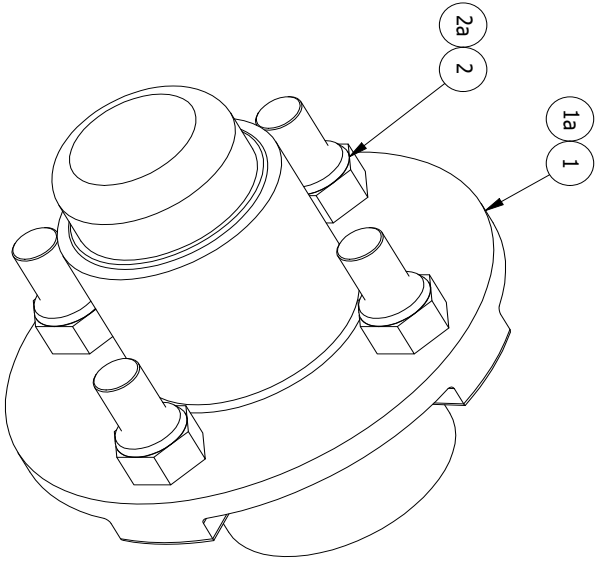
ITEM NUMBER	QTY	PART NUMBER	DESCRIPTION	PARTS LIST
1	1	20-1-58	9704SK52 Grip Black (EZG)	
2	2	09-3-16	1/2"-13 x 1/4" GR5 Bolt	
3	10	09-2-08	1/2"-13 Nylon Nut	
4	4	15-1-09	UCP207-20, 1 1/4" Pillow Block Bearing EZG	
5	1	15-1-28	2BK110 1 1/4" Pulley (EZG/Large)	
6	1	EZG-6	EZG Belt Tensioner Small	
7	4	15-1-20	1/4" x 1/4" x 1/2" Machined Key 5/16"	
8	1	15-1-197	Large Sprocket w/Key 10 x 8mm EZG9 (586+)	
8a	1	15-1-111	80BS48 1 1/4" SQH Sprocket (EZG/Large) (1-585)	
9	1	15-1-198	Key 10 x 8mm EZG Mixer Shaft Key (586+)	
9a	1	15-1-104	3/8" x 1.34" Machined Key (MH Shaft Key) (1-585)	
10	16	09-1-07	1/2" Flat Washer	
11	8	09-3-25	1/2"-13 x 3/4" GR5 Bolt	
12	6	09-1-39	5/16" Flat Washer	
13	6	09-2-04	3/8"-16 Nylon Nut	
14	6	09-3-173	3/8"-16 x 1 1/4" Carriage Bolts	
15	1	15-1-110	80BS10H 1 1/4" Sprocket (EZG/Small)	
16	1	EZGE9-A-1	EZG9 Drive Chain 60" Long + Master Link (586+)	
16a	1	15-1-144	80-1R-R50 Chain (EZG Mixers) (1-585)	
17	2	15-1-112	B-46 V-Belt (EZGE)	
18	1	15-1-116	#80 Master Link (EZG Mixers)	
19	1	EZG-A-23	EZGE-2nd Idler Shaft Mount Assembly	
20	1	EZG-A-22	EZGE Electric Motor Mounting Plate Assembly	
21	1	EZGE-2	EZGE Electric Belt Guide	
22	2	EZGE-500	EZGE Electric Jack Shaft	
23	1	03-7-24	5HP -1HP 1750RPM, 184T, 230V (EZGE9)	
24	1	15-1-58	2BK26 x 1 1/8" Sheave(Small)(EZGE9)	
25	8	09-1-04	1/4" Flat Washer	
26	4	09-3-42	5/16"-18 x 1" GR5 Bolt	
27	4	09-2-02	5/16"-18 Nylon Nut	
28	1	15-1-47	40BS30 x 1 1/4" Sprocket (EZGE)	
29	1	15-1-49	40BS15 x 1 1/4" Sprocket (EZGE)	
30	1	03-1-22	RV14-100 Insulated Ring Terminal	
31	1	03-5-51	CG6275 Cord Grip (EZGE9)	
32	1	03-5-19	3/4" Steel Locknut	
33	1	03-5-31	Nipple 1/2" x Close Galvanized Nipple	
34	1	03-5-32	WP BOX W3 1/2" Hubs EZGE 7 & 9	
35	1	03-5-33	Switch And Cover for EZGE7 & 9	
36	1	03-5-30	HBL3031 SP30A Switch (EZGE9)	
37	2	03-5-10	1/2" Steel Locknut	
38	1	EZGE9-A-2	EZGE7/9 #40 2nd Idler Chain + Master Link (586+)	
38a	1	15-1-29	#40 Roller Chain (EZGE) (1-585)	
39	1	15-1-30	GS40 Connecting Link	
40	1	03-5-27	SO 10/3 Cord (EZGE9)	
41	2	09-3-176	M8 x 1.25mm Thread x 60mm Lg Screw 10.9 (586+)	
41a	2	09-3-075	5/16-18 x 2-1/4 Std Screw (1-585)	
42	2	09-2-84	M8 x 1.25mm Thread Class 8 Nut (586+)	
42a	2	09-2-03	5/16-18 Nut (1-585)	

# EZGE9 230V / 1PH - 5HP

PARTS LIST			
ITEM	QTY	PART NUMBER	DESCRIPTION
1	1	07-197	Complete Hub Assembly (664+)
1a	1	07-127	Complete Hub Assembly (001-663)
2	4	07-198	Lug Nut (664+)
2a	4	07-134	Lug Nut (001-663)

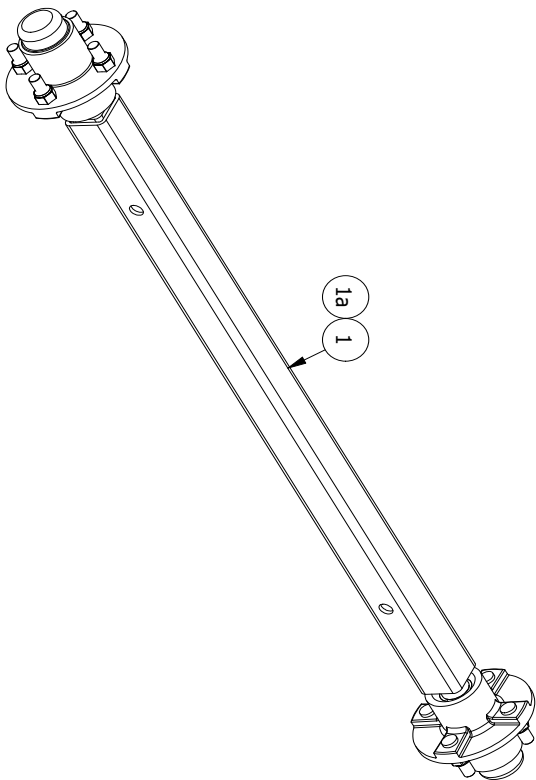
Items 2 and 2a can be purchased separately

### Complete Hub Assembly



### Complete Axle Assembly

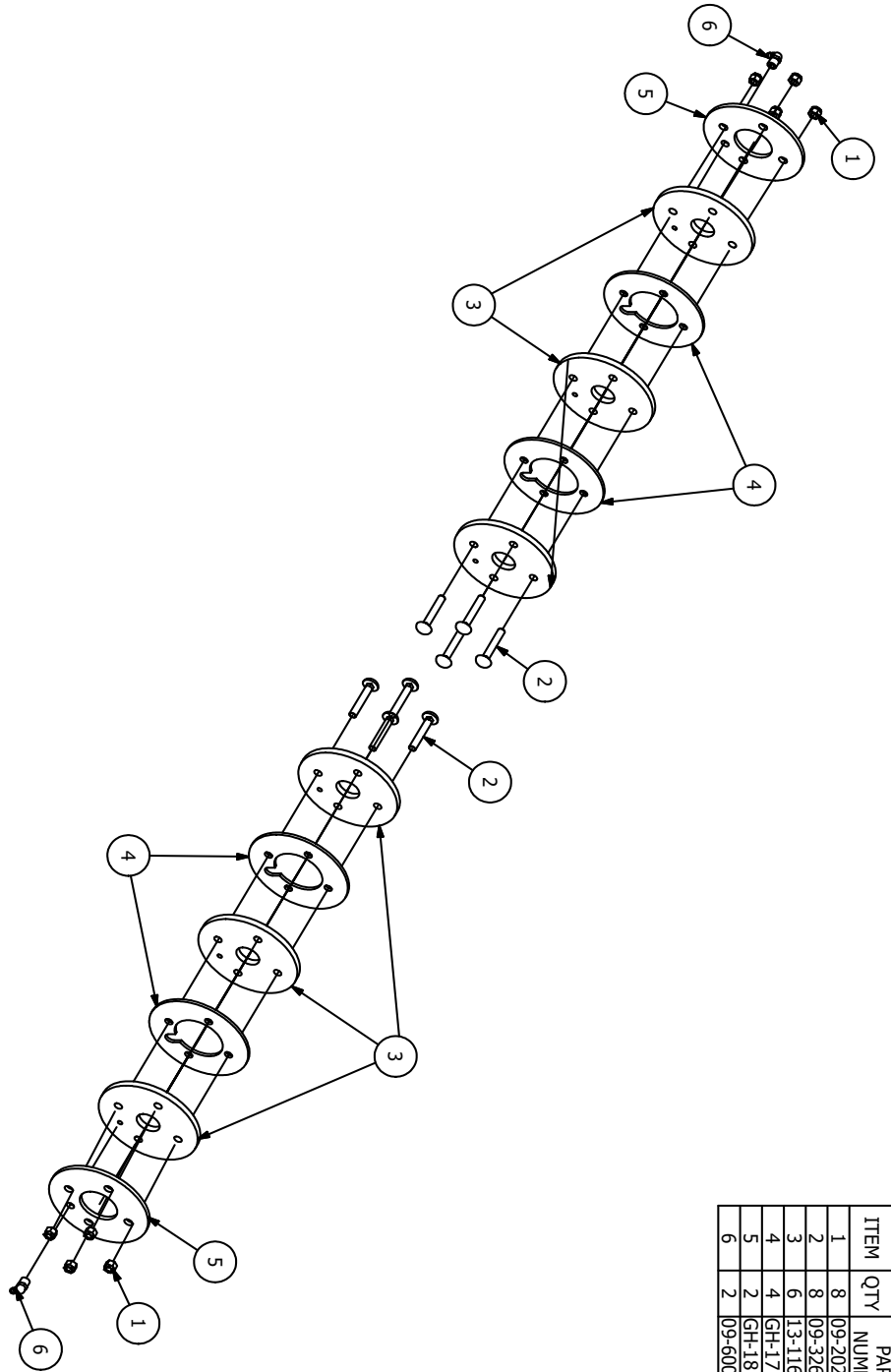
PARTS LIST			
ITEM	QTY	PART NUMBER	DESCRIPTION
1	1	EZG-A-35	Assembly, Complete Axle (664+)
1a	1	EZG-A-2	Assembly, Complete Axle (001 - 663)



# EZG9 Axle & Hub Assemblies

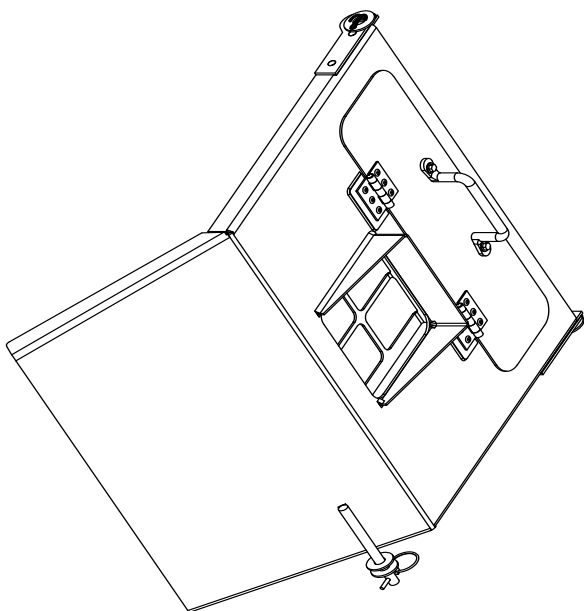


# EZG-A-17 Seal Kit

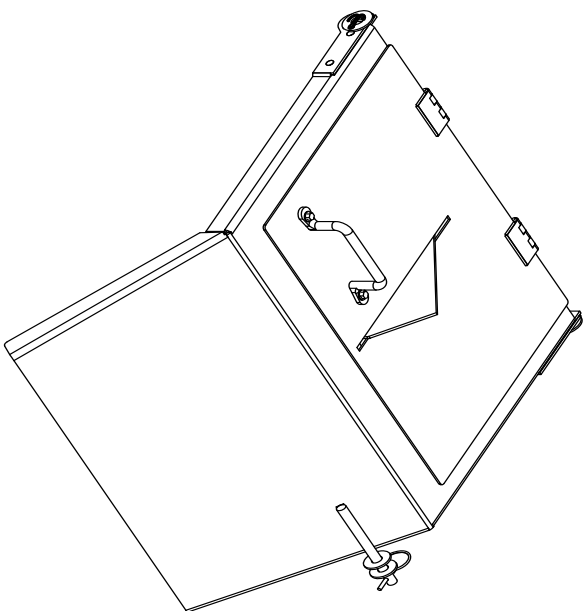


PARTS LIST			
ITEM	QTY	PART NUMBER	DESCRIPTION
1	8	09-202	5/16"-18 Nylon Nut
2	8	09-326	5/16"-18 x 2 Carriage Bolt
3	6	13-116	Grout Hog Urethane Shaft Seals
4	4	GH-17	GH-Rear Seal Intermediate Plate Spacer
5	2	GH-18	GH-Rear Seal Outer Seal Plate
6	2	09-600	1/8" 90 DEG Grease Fitting

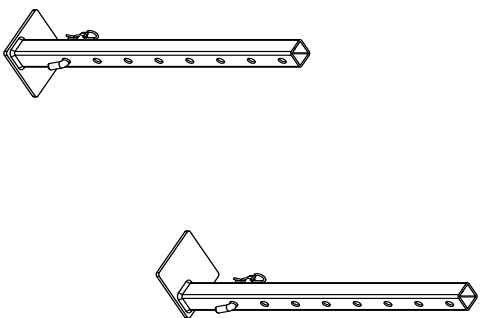
**EZG9-A-80 (Silo Solid Grate Assembly)**



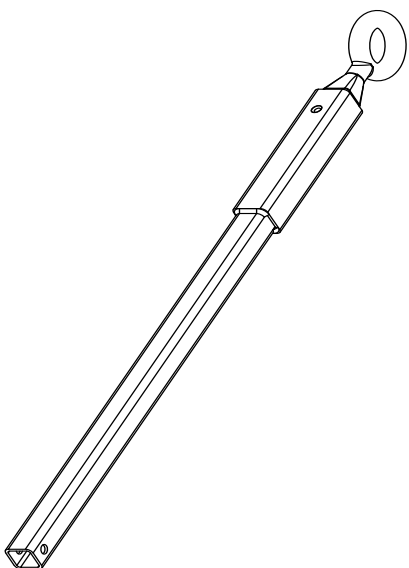
**EZG9-A-79 (Bag Ripper Solid Grate Assembly)**



**EZG9-A-40 (EZG9 LEG KIT)**



**EZG-A-9 (Pintle Tongue Assembly)**



**EZG9 Options**



# WARRANTY

## Limited Warranty

The manufacturer warrants that products manufactured shall be free from defects in material and workmanship that develop under normal use for a period of one year on all products from the date of shipment. The foregoing shall be the exclusive remedy of the buyer and the exclusive liability of the manufacturer. Our warranty excludes normal replaceable wear items, i.e. gaskets, wear parts, seals, O-rings, belts, drive chains, clutches, etc. Any equipment, part or product which is furnished by the manufacturer but manufactured by another, bears only the warranty given by such other manufacturer. (Manufacturer agrees to furnish free of charge a written description of problem or cause.) Warranty is voided by product abuse, alterations, use of equipment in applications for which it was not intended, use of non-manufacturer parts, or failure to follow documented service instructions. The foregoing warranty is exclusive of all other warranties whether written or oral, expressed or implied. No warranty of merchantability or fitness for a particular purpose shall apply. The agents, dealers, and employees of Manufacturer are not authorized to make modifications to this warranty, or additional warranties binding on the Manufacturer. Therefore, additional statements, whether oral or written, do not constitute warranty and should not be relied upon.

The Manufacturer's sole responsibility for any breach of the foregoing warranty provisions, with respect to any product or part not conforming to the Warranty or the description herein contained, is at its option (a) to repair, replace, or refund such product or parts upon the prepaid return thereof to location designated specifically by the Manufacturer. Product returns not shipped prepaid will be refused (b) as an alternative to the foregoing modes of settlement- the Manufacturer's dealer may repair defective units with reimbursement for expenses. A written description of problem or cause must accompany all warranty claims.

Except as set forth here in above and without limitation of the above, there are no warranties or other affirmation which extend beyond the description of the products on the fact here of, or as to operational efficiency, product reliability, or maintainability or compatibility with products furnished by others. In no event, whether as a result of breach of contract or warranty or alleged negligence, shall the Manufacturer, be liable for special or consequential damages including but not limited to: Loss of profits or revenue, loss of use of the product or any associated product, cost of capital, cost of substitute products, facilities or services or claims of customers. Manufacturer does not assume responsibility for any accident due to equipment modification.

No claim will be allowed for products lost or damaged in transit. Such claims should be filed with the carrier within fifteen days.

Effective July 20, 2005

EZG Manufacturing is the exclusive manufacturer of the patented Grout Hog® Grout Delivery System the Mud Hog® Hydraulic Mixing Station, the Hog Trough® mud pan, the Hog Cart™, the Hog Slopper™, the Booger Hog® Wall Scrubber, the Hog Leg® Wall Brace System, and the Hog Crusher™ Material Recycling System.

Fax Warranty Registration form to 740-962-2037 or submit online at [www.ezgmfg.com](http://www.ezgmfg.com) by clicking on "Resources" then "Warranty, lastly you can click on the orange "Click Here to Register" button.

## WARRANTY REGISTRATION

CONTACT: \_\_\_\_\_

COMPANY: \_\_\_\_\_

ADDRESS: \_\_\_\_\_

CITY: \_\_\_\_\_ STATE: \_\_\_\_\_ ZIP: \_\_\_\_\_

TEL: (\_\_\_\_) \_\_\_\_\_ - \_\_\_\_\_ FAX: (\_\_\_\_) \_\_\_\_\_ - \_\_\_\_\_ CELL: (\_\_\_\_) \_\_\_\_\_ - \_\_\_\_\_

EMAIL: \_\_\_\_\_

PURCHASED FROM:  Direct  Distributor: \_\_\_\_\_

PURCHASE DATE: \_\_\_\_\_ SERIAL NO. \_\_\_\_\_

**PLEASE COMPLETE THIS WARRANTY CARD, AND RETURN VIA MAIL, FAX, OR E-MAIL, WITHIN 30 DAYS OF PURCHASE TO VALIDATE YOUR MANUFACTURER'S WARRANTY FOR ALL EZG MANUFACTURING PRODUCTS.**

**WARRANTY PROVISIONS OF THIS MACHINE ARE HANDLED DIRECTLY THROUGH THE MANUFACTURER.**

**EZG MANUFACTURING \* 1833 North Riverview Road, Malta, OH 43758 \***

**PHONE 1-800-417-9272 \* Email: [warranty@ezgmfg.com](mailto:warranty@ezgmfg.com) \* FAX 740-962-2037**

*Please take a minute to fill out the survey below so that we can better serve our customers.*

## EZ Survey

**1. WHERE DID YOU FIRST HEAR ABOUT EZG MANUFACTURING? (CHECK ONE)**

Masonry Magazine  Website  Newsletter  Referral  Masonry Construction

Other: \_\_\_\_\_

**2. WHAT INFLUENCED YOU TO BUY?  QUALITY  PRICE  EASY TO USE  OTHER**

**3. WHO IS YOUR SALES REPRESENTATIVE? \_\_\_\_\_**

**4. ARE YOU SATISFIED WITH THE CUSTOMER SERVICE YOU RECEIVED?  YES  NO**

**Explain:** \_\_\_\_\_

\_\_\_\_\_

**5. WHAT OTHER EZG MANUFACTURING PRODUCTS DO YOU OWN?**

\_\_\_\_\_

\_\_\_\_\_

**6. WOULD YOU LIKE TO BE FEATURED IN OUR NEWSLETTER?  YES  NO**

**If yes, where can we reach you and what is the best time?**

\_\_\_\_\_

**Comments:** \_\_\_\_\_

\_\_\_\_\_

\_\_\_\_\_