



Before using this EZG Mixer®,
study and understand entire
Owner's Manual.

Serial Number _____



EZG7 / EZGE7

MIXER®

7ft³(0.19m³)

Mixing Station

Owner's Manual



EZG7 Mixer®
EZG MANUFACTURING
1-800-417-9272

EZG Manufacturing
405 Watertown Road
Waterford, Ohio 45786
(740) 749-3512 or 1-800-417-9272
Fax (740) 962-2037 www.ezgmfg.com

TABLE OF CONTENTS

INTRODUCTION.....	3
ABOUT THIS MANUAL.....	3
GENERAL INFORMATION.....	3
SAFETY INFORMATION.....	3
SAFETY PRECAUTIONS.....	4-5
CALIFORNIA PROPOSITION 65 WARNING.....	6
SETUP INSTRUCTIONS.....	6
OPERATING INSTRUCTIONS.....	7
DAILY MAINTENANCE.....	7
OBTAINING SPARE PARTS.....	8
CLEANUP.....	8
SERVICE RECORDS.....	8
WARNING LABELS AND LOCATIONS.....	9
FRAME ASSEMBLY.....	10
DRUM & PADDLE ASSEMBLY.....	11
DRIVE ASSEMBLY.....	12
GREASE FITTING LOCATION.....	13
AXLE & HUB ASSEMBLIES.....	14
SHAFT ASSEMBLY.....	15
SEAL KIT.....	16
OPTIONS.....	17
NOTES.....	18
WARRANTY.....	19
WARRANTY REGISTRATION.....	20

INTRODUCTION

Congratulations on purchasing one of the finest pieces of masonry equipment on the market today! If this is your first EZG Manufacturing product, you will not be disappointed. If you have previously owned an EZG Manufacturing product you will find the same high quality and dependability that you have come to expect from EZG Manufacturing.

ABOUT THIS MANUAL

The purpose of this manual is to inform the owner/employer/and the operator, how to safely operate this piece of equipment, and make them aware of any hazards. It also contains important information regarding assembly, set up, operation, and maintenance. It is the Owner/Employers responsibility to make sure that anyone who operates this machine understands all safety warnings. If you do not understand any items in this manual, please contact the dealer where this product was purchased, or the manufacturer at the number listed throughout this manual. If you have any suggestions about how to make this manual easier to understand, contact the manufacturer. Keep this manual available for reference wherever this piece of equipment is being used and make it available to any operators.

GENERAL INFORMATION

Illustrations in this manual may show details or components that may not be the same as your machine. Continuing improvements to the design of this machine may have caused changes that are not included in this manual. The information in this document is subject to change without notice.

SAFETY INFORMATION

The following safety symbols and signal words will be used throughout this manual and on the product, for your safety and the safety of others, please become familiar with their meaning and heed their warnings.



This symbol, either used alone or with a signal word, is used to call your attention to instructions involving your safety and/or the safety of others. Failure to follow these instructions will likely result in personal injury or death.



DANGER

This signal word is used to identify a hazard which, if not avoided, will result in death or serious injury.



WARNING

This signal word is used to identify a hazard which, if not avoided, could result in death or serious injury.



CAUTION

This signal word is used to identify a hazard which, if not avoided, could result in minor or moderate injury.

NOTICE

This signal word is used to identify a hazard which, if not avoided, could result in property or equipment damage. It also may be used for special instructions related to performance, maintenance or general items.

SAFETY PRECAUTIONS



WARNING

Failure to obey the following safety instructions could result in DEATH or SERIOUS INJURY.

Read and understand entire manual before operating the EZG7 Mixer®

For your safety and the safety of others, replace any missing or damaged warning decals by contacting the manufacturer at 1-800-417-9272.

Make sure anyone operating the EZG7 Mixer® is thoroughly familiar with its operation. Keep all unauthorized and untrained personnel, especially children away from EZG7 Mixer®.

Never operate machine with safety grate, guards or safety devices removed or open. Do not alter any safety guards.

Stay clear of mixing paddles while machine is running. Keep all body parts, clothing, jewelry and solid objects away from all moving parts.

Never perform any work on the EZG7 Mixer® while it is running. Before working on or cleaning the EZG7 Mixer®, shut off engine and disconnect spark plug wire.

Never operate the EZG7 Mixer® under the influence of alcohol, drugs, or medications.

This EZG7 Mixer® has been designed and built as a material mixing station, and should not be used for anything other than its intended purpose.

Model	Empty Weight	Max Gross Weight
EZG7	820 Lbs.(371.9 kg)	1870 lbs.(848.2 kg)

Do not exceed Maximum Gross Weight

Never stand under an elevated EZG7 Mixer®.

Stay clear of moving parts while machine is in operation.

When towing, refer to vehicle manufactures specs to insure load capacity is not exceeded.

Always check axle,tires, and safety chains before towing EZG7 Mixer®.

Always cross and connect safety chains before towing EZG7 Mixer®.

Never attempt to ride the EZG7 Mixer®.

SAFETY PRECAUTIONS



WARNINGS continued

Operate only in properly vented environments. The mixer requires a free flow of air and emits carbon monoxide gas.

Avoid breathing dust produced while using the EZG7 Mixer®. Dust may contain crystalline silica and may cause serious health problems.

Do not operate near combustible materials.

Do not smoke around EZG7 Mixer®.

Always know the location of nearest fire extinguishers, first aid kit, and emergency personnel phone numbers in case of emergency.



CAUTION

Failure to obey the following safety instructions could result in MINOR or MODERATE INJURY.

Inspect all fasteners, bolts and welds for nicks, cracks, cuts, damage, wear or loose-ness before each use. Repair as needed.

Always wear approved PPE, including glasses, hearing protection, hard hats, and ventilation masks when operating a EZG7 Mixer®.

Do not use the EZG7 Mixer® as a lifting device or with accessories or attachments not recommended by EZG Manufacturing, as damage to equipment or operator might result.

Allow system to cool before performing any repairs or service, such as adding fuel or oil.

NOTICE

Use only factory authorized parts.

Used Lubricants such as engine and hydraulic oil, and hazardous waste must be taken to an authorized disposal or recycling center.

Consult Honda® owners' manual for engine maintenance and warnings.

California - Proposition 65 Warning

Engine exhaust and some of its constituents, and some dust created by power sanding, sawing, grinding, drilling, and other construction activities contains chemicals known to the State of California to cause cancer, birth defects and other reproductive harm. Some examples of these chemicals are:

Lead from lead based paints - Crystalline silica from bricks -Cement and other masonry products -Arsenic and chromium from chemically treated lumber

Your risk from these exposures varies, depending on how often you do this type of work. To reduce your exposure to these chemicals: ALWAYS work in a well ventilated area, and work with approved safety equipment, such as dust masks that are specially designed to filter out microscopic particles.

SETUP INSTRUCTIONS

Before operating the EZG7 Mixer® it should be properly set up on the jobsite. The EZG7 Mixer® may be lifted by using a forklift. The EZG7 weighs 820 lbs.(371.9 kg) empty and 1870 lbs.(848.2 kg) full. Check forklift ratings before attempting to move the EZG7 Mixer®.

The EZG7 Mixer® is equipped with (2) wheels and a tow tongue.

1. Position the EZG7 Mixer® at point of operation.
2. Disconnect EZG7 Mixer® from towing vehicle.
3. Lower tongue until mixer is level.
4. Verify that the mixer foot is touching the ground and that the EZG7 Mixer® is level and cannot rock in any direction.
5. Perform the daily maintenance as described in the “Daily Maintenance” section of this manual.

OPERATING INSTRUCTIONS



Warning! This equipment is to be operated by trained and qualified personnel over the age of 18. Death or serious injury can result.

1. Slide forks under the EZG7 Mixer® and place in desired location.
2. Level unit and chock wheels.
3. Start engine.
See engine manuals for proper procedure.
4. Fill with material, add water and mix to desired consistency and dump.



Warning! NEVER put your hands inside mixer drum while equipment is running. Death or serious injury can result.

DAILY MAINTENANCE



Warning! Before performing any described maintenance items, make sure engine is turned off and spark plug wire is disconnected. Death or serious injury can result.

1. Check engine oil daily.
2. For engine maintenance, refer to the engine manufacturer's manual furnished with the EZG7 Mixer®.
3. Check and grease all grease fittings.
(Grease fitting location can be found on the Grease Fitting Location drawing in this manual)
4. For maximum performance, thoroughly clean inside and out at mid-day or lunch break and again at the end of each day's use. Do not allow a buildup of material to form on the blades and seals.
6. Check equipment for leaks. Fix any leaks before operating the EZG7 Mixer®.
7. Check all welds and bolts. If a cracked weld is found, do not operate the EZG7 Mixer® until repaired by qualified personnel. Tighten any loose bolts.
8. Check Paddle Shaft Seal for excessive wear. If any mortar or concrete is leaking past the seal, change the seals immediately.
9. Check paddle rubbers for wear. Adjust or replace as needed.

OBTAINING SPARE PARTS

Spare parts for your EZG7 Mixer® may be obtained by the following procedure:

1. Record the information from the serial number tag located on the frame.
2. Using the parts reference table in this manual, record the part number or component.
3. Contact your local EZG7 Mixer® dealer or EZG Manufacturing at 1-800-417-9272 with the information recorded.

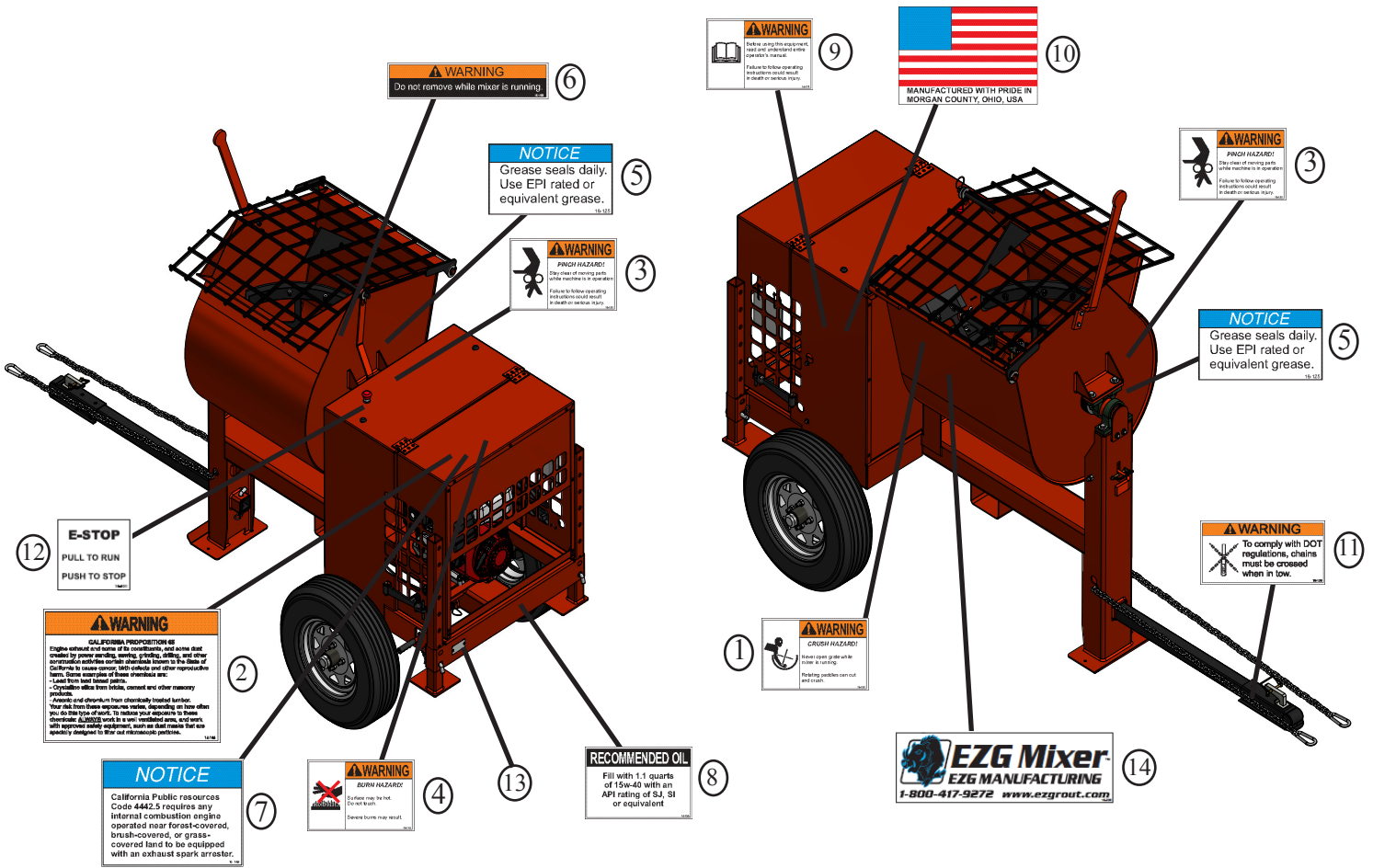
CLEANUP

1. Turn off engine and disconnect spark plug wire.
2. For maximum performance, thoroughly clean inside and out at mid-day or lunch break and again at the end of each day's use. Do not allow a buildup of materials to form on the blades and seals.
3. Hose out and brush down mixing drum, then spray and brush paddles until all excess material is removed.
4. Grease the fittings and brush the face of drum seals until clean.

SERVICE RECORDS

SERVICE PERFORMED	DATE	INITIALS

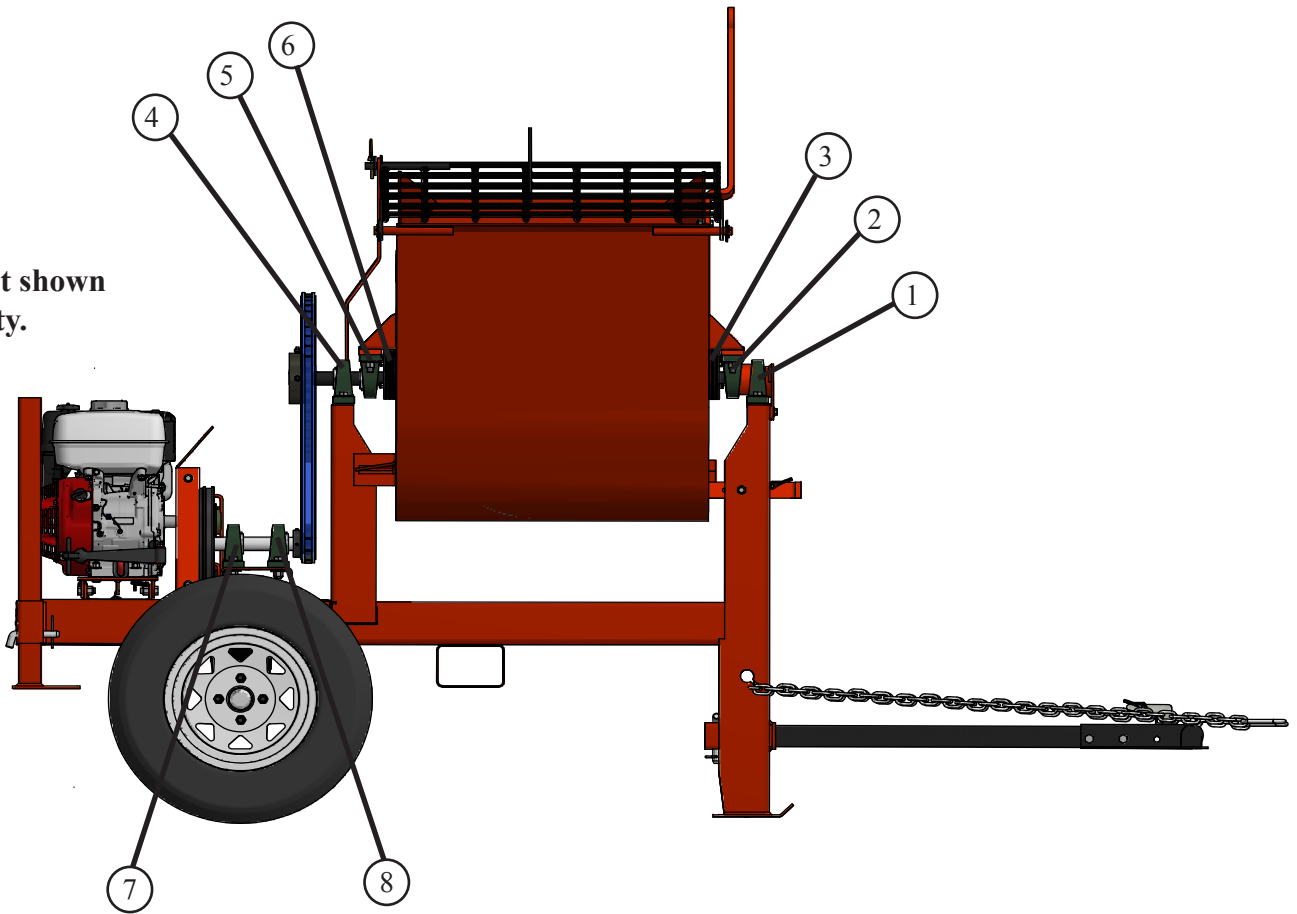
WARNING LABELS AND LOCATIONS



ITEM	PART NUMBER	DESCRIPTION	QTY
A	16-213	EZG7 Decal Kit	1
1		Never Open Grate Decal	1
2		Proposition 65 Decal	1
3		Small Pinch Point Decal	2
4		Hot Surface Decal	1
5		Grease Seals Daily Decal	2
6		Do Not Remove Decal	1
7		California Public Resources Decal	1
8		Fill with 1.1 Quart Decal	1
9		Read Owners Manual Decal	1
10		U.S. Flag Decal	1
11		DOT Cross Chains Decal	1
12		E-STOP Label	1
13		Serial Tag Location	1
14		EZG Mixer Decal	1

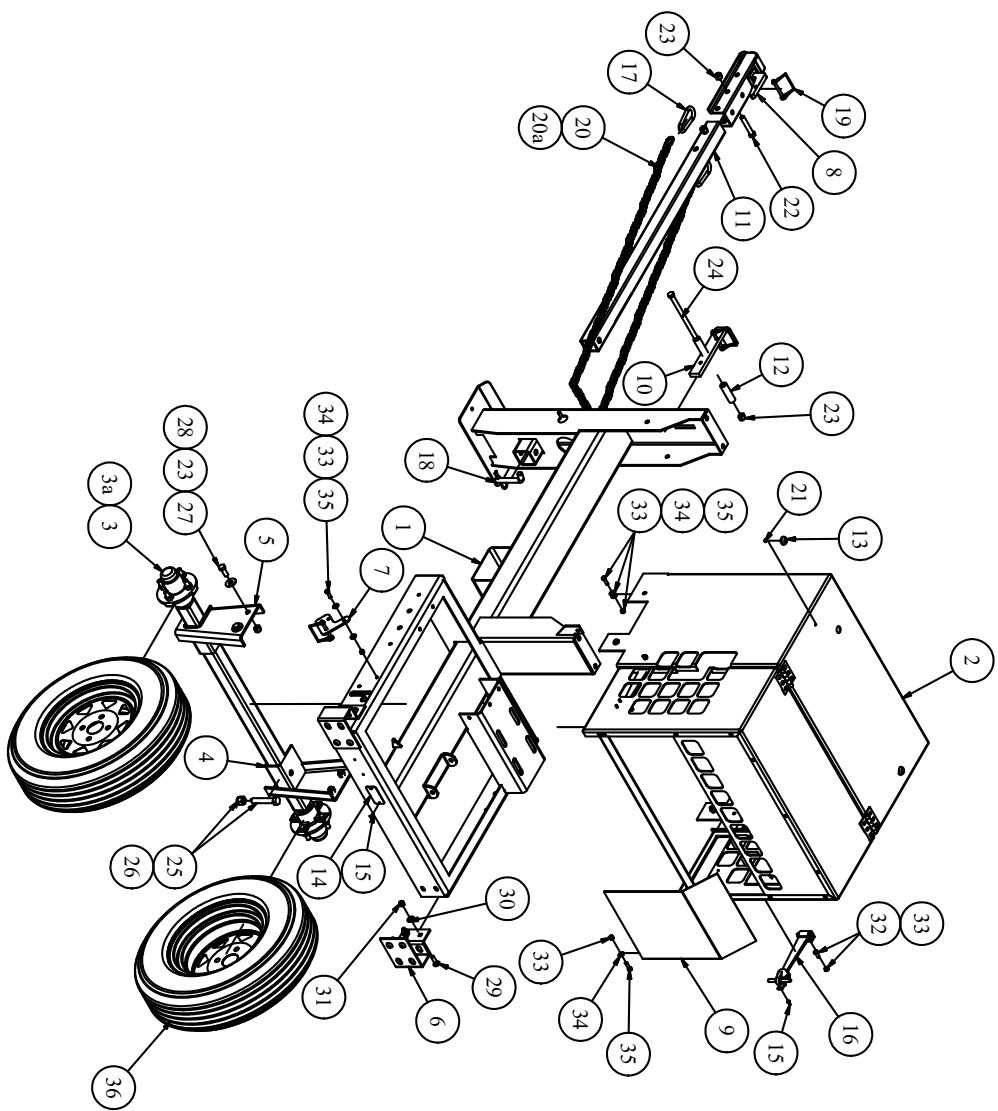
GREASE FITTING LOCATIONS

Hood not shown
for clarity.



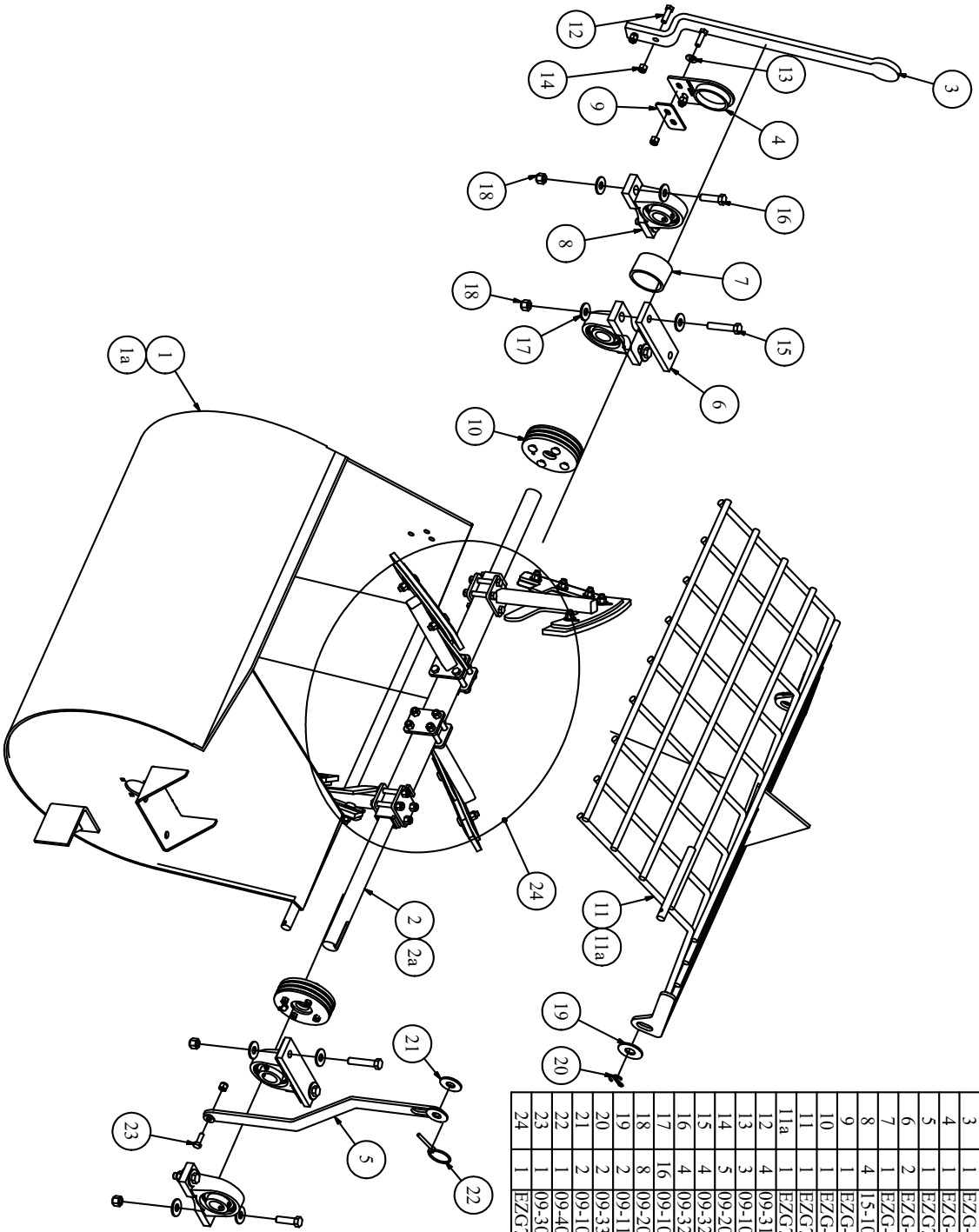
ITEM	DESCRIPTION
1	BEARING
2	BEARING
3	SHAFT SEAL
4	BEARING
5	BEARING
6	SHAFT SEAL
7	BEARING
8	BEARING

NOTE: Check ALL grease fittings daily. Grease as needed.



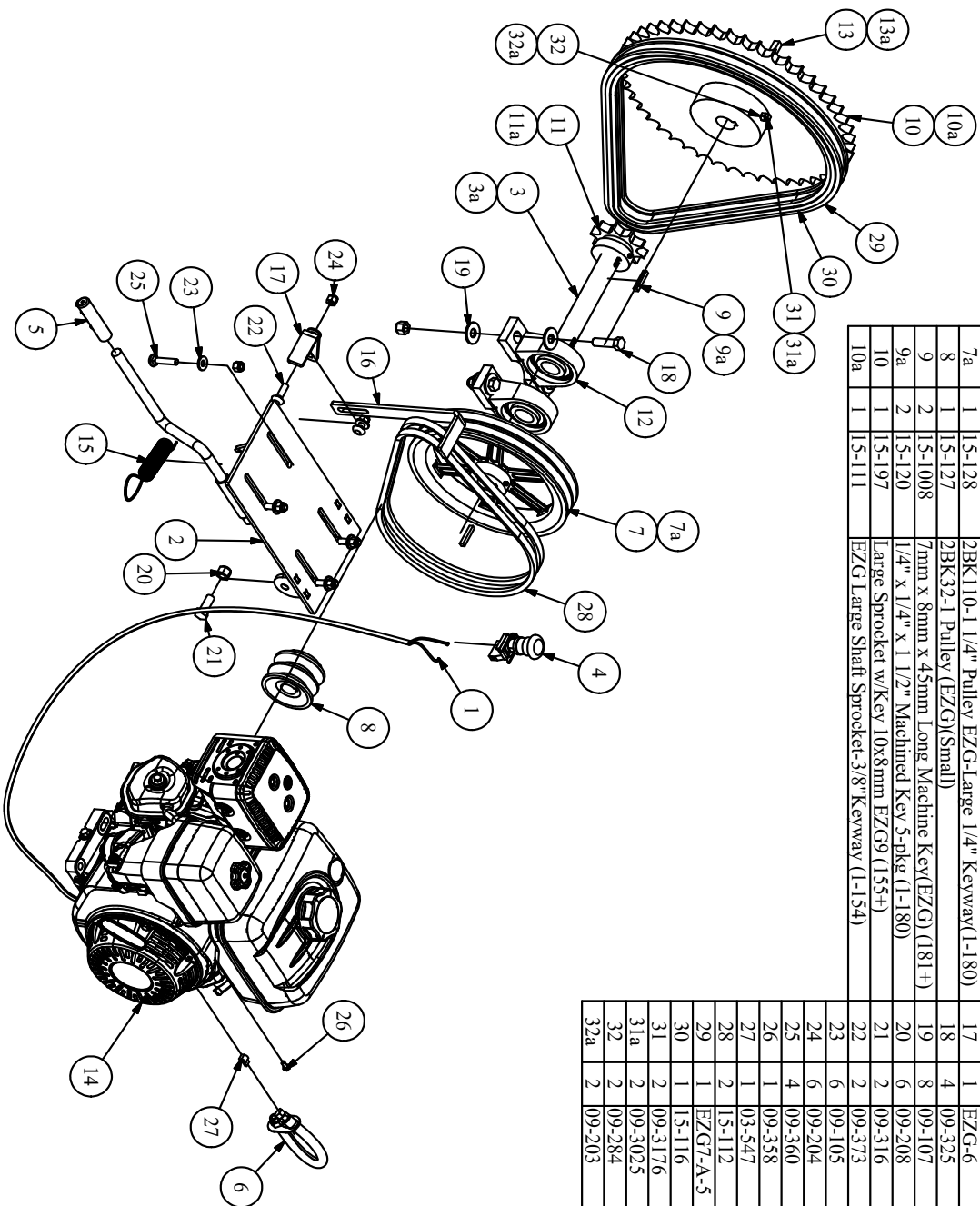
PARTS LIST		
ITEM	QTY	PART NUMBER DESCRIPTION
1	1	EZG7-A-1 EZG7 Frame Assembly
2	1	EZG7-A-2 EZG7 Hood Assembly
3	1	EZG-A-35 EZG Axle Assembly with Hubs (181+)
3a	1	EZG-A-2 EZG Axle Assembly with Hubs (001-180)
4	1	EZG-A-7 EZG Axle Mount Assembly-Load Side
5	1	EZG-A-8 EZG Axle Mount Assembly-Dump Side
6	2	EZG-102 EZG-Bolt On Leg Pocket
7	1	EZG-103 EZG Motor Lock
8	1	EZG-2 EZG 2" Ball Receiver
9	1	EZG-4 EZG Pulley Guard
10	1	EZG-7 Drum Lock Lever
11	1	EZG-500 EZG Mixer Tongue Tube
12	2	EZG-504 EZG Lock Spacer 7/8" x .109" Wall Tube 3.3/16" Long
13	2	20-139 9541K3 10-24 Rubber Bumper
14	1	20-126 Blank Metal Plates
15	6	20-105 Rivets for Name Plates
16	1	20-103 Hood Hold Down Strap
17	2	09-702 Carabiner Style Connector (EZG)
18	1	09-418 Hitch Pin Assembly
19	3	09-407 5/16" Latch Pin
20	1	EZG-A-25 EZG Mixer Tow Safety Chain Assv w/ Clips
21	2	09-224 #10-24 Hex Nut
22	2	09-321 1/2"-13 x 3" GR5 Bolt
23	7	09-208 1/2"-13 Nylon Nut
24	1	09-323 1/2"-13 x 7 1/2" Bolt
25	2	09-380 5/8"-11 x 3 1/2" GR8 Bolt-Zinc
26	2	09-210 5/8"-11 Nylon Nut
27	4	09-316 1/2"-13 x 1 1/4" GR5 Bolt
28	4	09-107 1/2" Flat Washer
29	8	09-373 3/8"-16 x 1 1/4" Carrriage Bolts
30	8	09-105 5/16" Flat Washer
31	2	09-204 3/8"-16 Nylon Nut
32	2	09-341 5/16"-18 x 3/4" GR5 Bolt
33	9	09-202 5/16"-18 Nylon Nut
34	12	09-104 1/4" Flat Washer
35	7	09-342 5/16"-18 x 1" GR5 Bolt
36	2	07-136 175-80-R13 Deestone 6-ply 13" 4 Lug (EZG)

EZG7 FRAME ASSEMBLY



PARTS LIST			
ITEM	QTY	PART NUMBER	DESCRIPTION
1	1	EZG7-A-65	EZG7 Drum Assembly (Serial 117+)
1a	1	EZG7-A-3	EZG7 Drum Assembly (Serial 1-116)
2	1	EZG7-A-84	EZG7 Paddle Shaft w/10mm Key (155+)
2a	1	EZG7-A-4	EZG7 Shaft Assembly (1-154)
3	1	EZG-A-8	EZG Drum Dump Handle
4	1	EZG-A-5	Shaft End Guard Assembly
5	1	EZG7-1	EZG7 Grate Opener
6	2	EZG-1	EZG Bearing Shim
7	1	EZG-505	EZG Shaft Collar
8	4	15-109	UCP207-20 1/4" Pillow Block Bearing EZG
9	1	EZG-70	EZG Shaft Guard Plate Shim
10	1	EZG-A-17	EZG7 Paddle Shaft Seal Kit
11	1	EZG7-A-67	EZG7 Grate Assembly (Serial 117+)
11a	1	EZG7-A-6	EZG7 Grate Assembly (Serial 1-116)
12	4	09-310	3/8"-16 1/4" GR5 Bolt
13	3	09-105	5/16" Flat Washer
14	5	09-204	3/8"-16 Nylon Nut
15	4	09-320	1/2"-13 x 2 1/2" Bolt
16	4	09-325	1/2"-13 x 1 3/4" GR5 Bolt
17	16	09-107	1/2" Flat Washer
18	8	09-208	1/2"-13 Nylon Nut
19	2	09-111	3/4" Flat Washer
20	2	09-337	3/16" x 1 1/2" Cotter Pin
21	2	09-109	5/8" Flat Washer
22	1	09-400	1/4" Linch Pins
23	1	09-307	3/8"-16 x 1" GR5 Bolt
24	1	EZG7-A-15	EZG7 Paddle Kit, Everything But Shaft

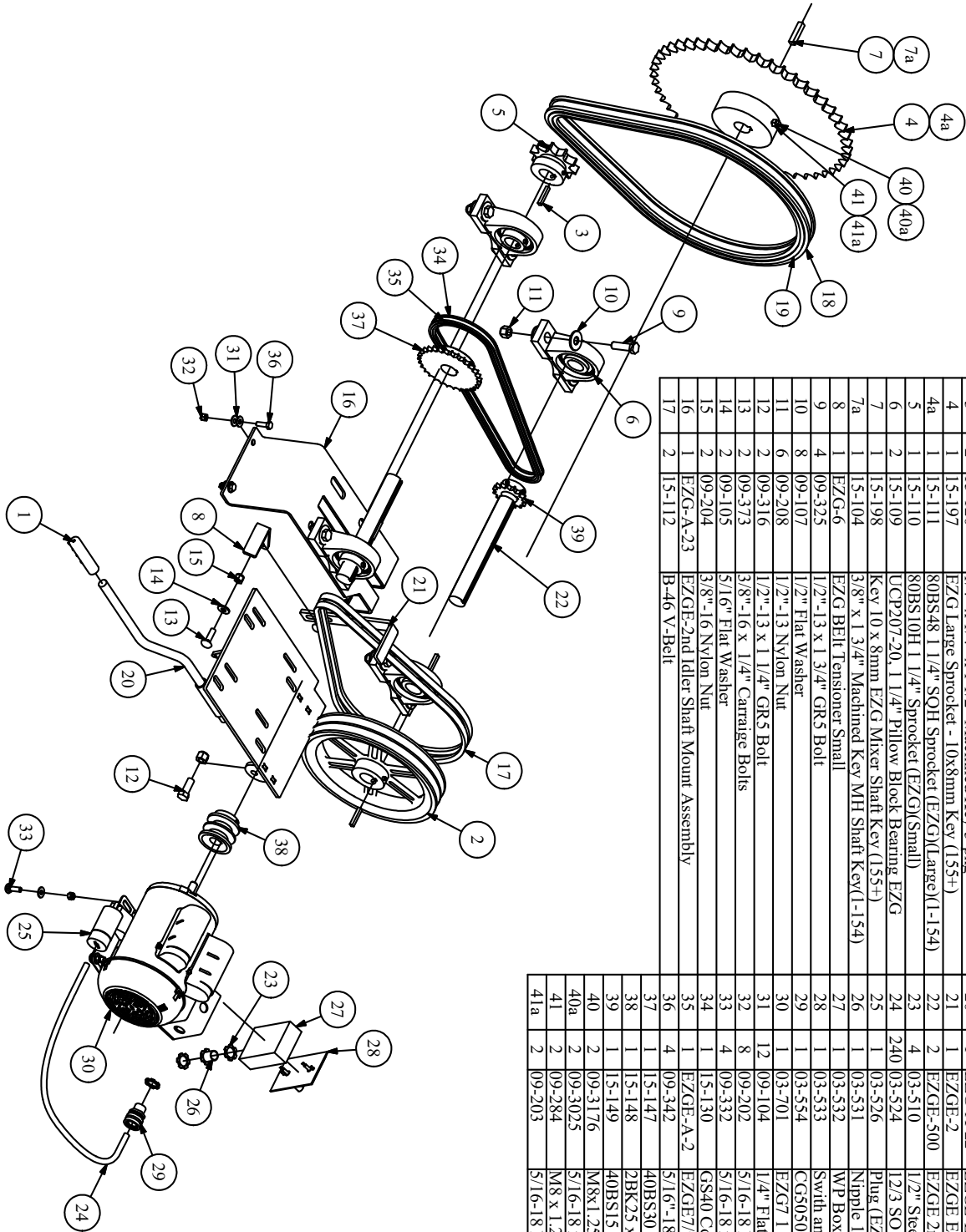
EZG7 DRUM & PADDLE ASSEMBLY



PARTS LIST			PARTS LIST				
ITEM	QTY	PART NUMBER	DESCRIPTION	ITEM	QTY	PART NUMBER	DESCRIPTION
1	1	EZG-A-1	EZG E-Stop Wire Harness	11	1	15-1006	Sprocket EZG-Small with 8mm Keyway (181+)
2	1	EZG-A-3	EZG Honda Engine Mounting Plate	11a	1	15-110	Sprocket EZG-Small with 1/4" Keyway (1-180)
3	1	EZG-537	EZG Pulley Drive Shaft 10-1/2" L 8mm KW (181+)	12	2	15-109	UCP207-20 1 1/4" Pillow Block Bearing EZG
3a	1	EZG-518	EZG Pulley Drive Shaft 10-1/2" L 1/4" KW (1-180)	13	1	15-198	Key 10 x 8mm EZG Mixer Shaft Key (155+)
4	1	03-1038	E-Stop Button w/Bezel	13a	1	15-104	3/8" x 1 3/4" Machined Key (MH Shaft Key)(1-154)
5	1	20-158	97045K52 Grip Black (EZG)	14	1	14-108	GX240UT2HA2 Honda Engine 655110
6	1	20-120	Model # HON 1412 Drainziti	15	1	09-808	9654K226 Spring EZG
7	1	15-1007	1 1/4 Pulley 8mm Keyway(181+)	16	1	EZG-5	EZG Belt Tensioner (Long)
7a	1	15-128	2BK110-1 1/4" Pulley EZG-Large 1/4" Keyway(1-180)	17	1	EZG-6	EZG Belt Tensioner (Small)
8	1	15-127	2BK32-1 Pulley (EZG)(Small)	18	4	09-325	1/2"-13 x 1 3/4" GR3 Bolt
9	2	15-1008	7mm x 8mm x 45mm Long Machine Key (EZG) (181+)	19	8	09-107	1/2" Flat Washer
9a	2	15-120	1/4" x 1/4" x 1 1/2" Machined Key 5-pkg (1-180)	20	6	09-208	1/2"-13 Nylon Nut
10	1	15-197	Large Sprocket w/Key 10x8mm EZG9 (155+)	21	2	09-316	1/2"-13 x 1 1/4" GR3 Bolt
10a	1	15-111	EZG Large Shaft Sprocket-3/8" Keyway (1-154)	22	2	09-373	3/8"-16 x 1 1/4" Carriage Bolts
				23	6	09-105	5/16" Flat Washer
				24	6	09-204	3/8"-16 Nylon Nut
				25	4	09-360	3/8"-16 x 1 3/4" Carriage Bolts
				26	1	09-358	M6 x 12 Hex Thread Cutting Screw
				27	1	03-547	952X 3M Connector-50 per pkg
				28	2	15-112	B-46 V-Belt (EZG7)
				29	1	EZG7-A-5	EZG7 Drive Chain 60" Long + Masterlink
				30	1	15-116	#80 Master Link EZG Mixers
				31	2	09-3176	M8x1.25mm Thread x 60mm Long Screw 10.9 (155+)
				31a	2	09-3025	5/16-18 x 2-14 Set Screw (1-154)
				32	2	09-284	M8 x 1.25mm Thread Class 8 Nut (155+)
				32a	2	09-203	5/16-18 Nut (1-154)

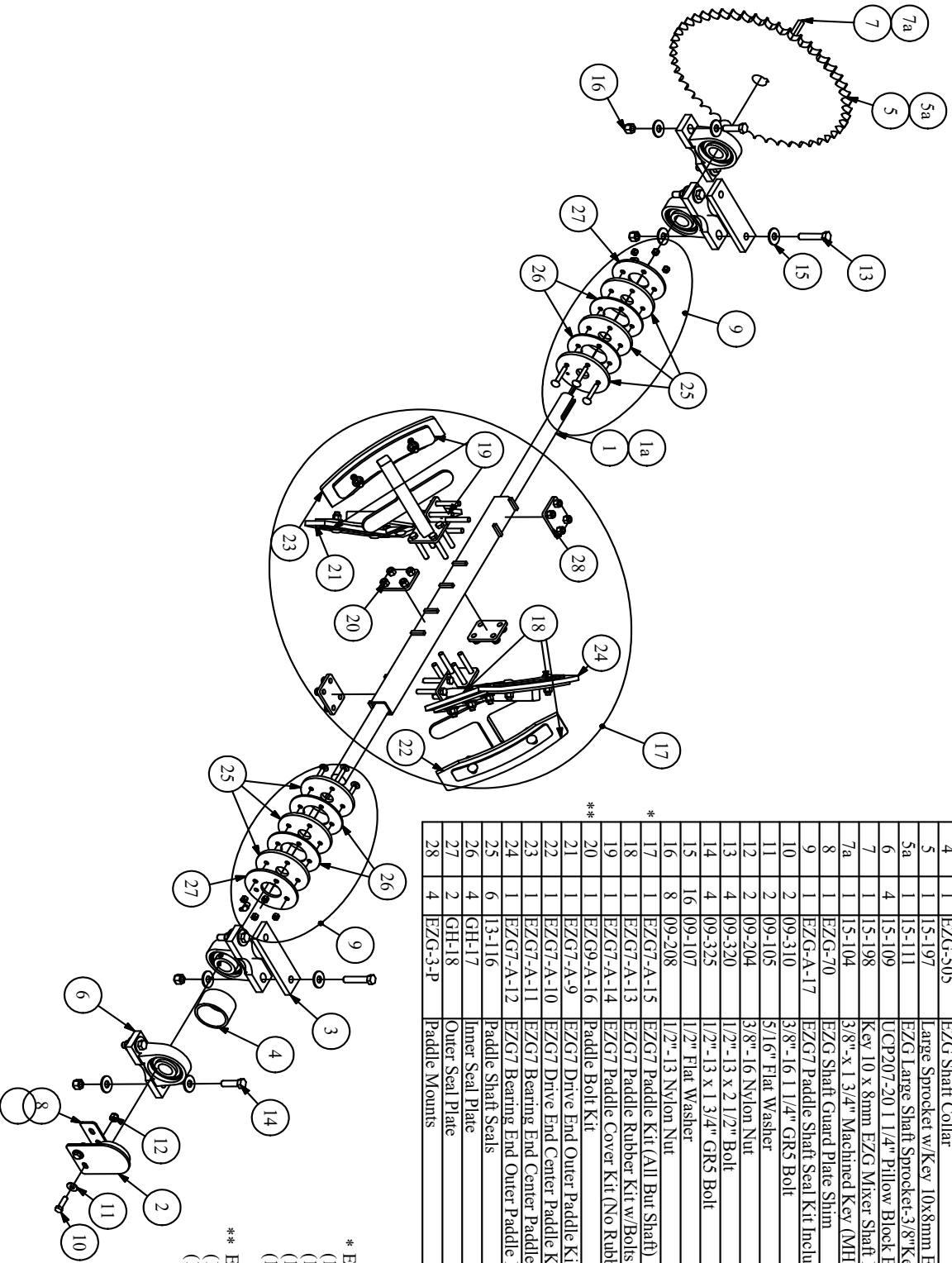
EZG7 DRIVE ASSEMBLY

EZG-A-21 (EZG7 Electric Motor Kit)



PARTS LIST			PARTS LIST				
ITEM	QTY	PART NUMBER	DESCRIPTION	ITEM	QTY	PART NUMBER	DESCRIPTION
1	1	20-158	97045K52 Grip Black (EZG)	18	1	EZGE7-A-1	EZGE7 Drive Chain 54" long + Master Link
2	1	15-128	2BK110 1 1/4" Pulley (EZG)(Large)	19	1	15-116	#80 Master Link (EZG Mixers)
3	2	15-120	1/4" x 1/4" x 1 1/2" Machined Key 5-pkg	20	1	EZG-A-22	EZGE-Electric Motor Mounting Plate Assembly
4	1	15-197	EZG Large Sprocket - 10x8mm Key (155+)	21	1	EZGE-2	EZGE Electric Belt Guide
4a	1	15-111	80BS48 1/4" SOH Sprocket (EZG)(Large)(-154)	22	2	EZGE-500	EZGE 2nd Idler Shaft
5	1	15-110	80BS10H 1/4" Sprocket (EZG)(Small)	23	4	03-510	1/2" Steel Locknut
6	2	15-109	UCP207-20, 1 1/4" Pillow Block Bearing EZG	24	240	03-524	12/3 SO Cord (EZGE7)
7	1	15-198	Key 10 x 8mm EZG Mixer Shaft Key (155+)	25	1	03-526	Plug (EZGE7)
7a	1	15-104	3/8" x 1 3/4" Machined Key MH Shaft Key(-154)	26	1	03-531	Nipple 1/2" Close Galvanized Nipple
8	1	EZG-6	EZG Belt Tensioner Small	27	1	03-532	WP Box W/3 1/2 Hubs (EZGE 7 & 9)
9	4	09-325	1/2" -13 x 1 3/4" GR5 Bolt	28	1	03-533	Switch and Cover for EZGE 7 & 9
10	8	09-107	1/2" Flat Washer	29	1	03-554	CG5050 1/2" Aluminum Cord Grip
11	6	09-208	1/2" -13 Nylon Nut	30	1	03-701	EZG7 1 1/2 HP 115V 1800RPM 1PH
12	2	09-316	1/2" -13 x 1 1/4" GR5 Bolt	31	12	09-104	1/4" Flat Washer
13	2	09-373	3/8" -16 x 1/4" Carriage Bolts	32	8	09-202	5/16-18 Nylon Nut
14	2	09-105	5/16" Flat Washer	33	4	09-332	5/16-18 x 1" Carriage Bolt
15	2	09-204	3/8" -16 Nylon Nut	34	1	15-130	GS40 Connecting Link (EZGE)
16	1	EZG-A-23	EZGE-2nd Idler Shaft Mount Assembly	35	1	EZGE-A-2	EZGE7/9 #40 2nd Idler Chain=Master Link
17	2	15-112	B-46 V-Belt	36	4	09-342	5/16"-18 x 1" GR5 Bolt
				37	1	15-147	40BS30 x 1 1/4" Sprocket (EZGE)
				38	1	15-148	2BK25 x 7/8" Sheave (EZGE7)
				39	1	15-149	40BS15 x 1 1/4" Sprocket (EZGE)
				40	2	09-3176	M8x1.25mm Thread x 60mm Long Screw 10.9 (155+)
				40a	2	09-3025	5/16-18 x 2-14 Set Screw (-154)
				41	2	09-284	M8 x 1.25mm Thread Class 8 Nut (155+)
				41a	2	09-203	5/16-18 Nut (-154)

EZG7 SHAFT ASSEMBLY

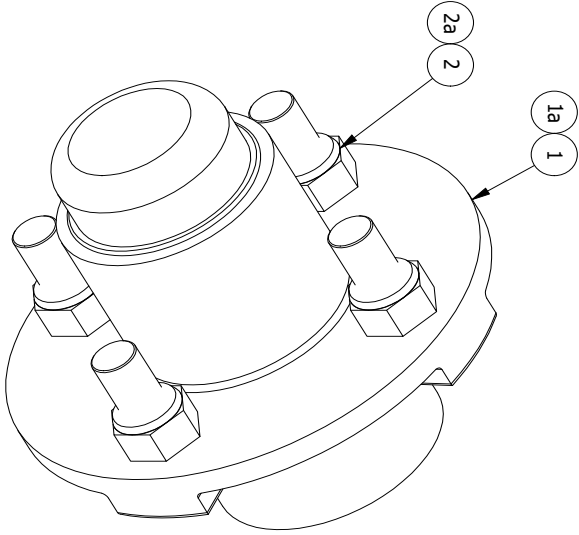


- * EZG7-A-15 Paddle Kit Includes:
 (1) EZG7-A-9 (Item 21)
 (1) EZG7-A-10 (Item 22)
 (1) EZG7-A-11 (Item 23)
 (1) EZG7-A-12 (Item 24)
- ** EZG9-A-16 Paddle Bolt Kit Includes:
 (16) 3/8-16 x 2-1/2" Grade 8 Bolt
 (16) 3/8-16 Nylon Nut

PARTS LIST		DESCRIPTION
ITEM QTY	PART NUMBER	
1	EZG7-A-84	EZG7 Paddle Shaft w/10mm Key (155+)
1a	EZG7-A-4	EZG7 Shaft Assembly w/ 3/8" Key (1-154)
2	EZG-A-5	Shaft End Guard Assembly
3	EZG-1	EZG Bearing Shim
4	EZG-505	EZG Shaft Collar
5	15-197	Large Sprocket w/Key 10x8mm EZG9 (155+)
5a	15-111	EZG Large Shaft Sprocket-3/8"Keyway (1-154)
6	15-109	UCP207-20 1 1/4" Pillow Block Bearing EZG
7	15-198	Key 10 x 8mm EZG Mixer Shaft Key (155+)
7a	15-104	3/8"-x 1 3/4" Machined Key (MH Shaft Key)(1-154)
8	EZG-70	EZG Shaft Guard Plate Shim
9	EZG-A-17	EZG7 Paddle Shaft Seal Kit Includes (6) 13-166, (4) GH-17, (2) GH-18
10	2 09-310	3/8"-16 1 1/4" GR5 Bolt
11	2 09-105	5/16" Flat Washer
12	2 09-204	3/8"-16 Nylon Nut
13	4 09-320	1/2"-13 x 2 1/2" Bolt
14	4 09-325	1/2"-13 x 1 3/4" GR5 Bolt
15	16 09-107	1/2" Flat Washer
16	8 09-208	1/2"-13 Nylon Nut
17	EZG7-A-15	EZG7 Paddle Kit (All But Shaft)
18	1 EZG7-A-13	EZG7 Paddle Rubber Kit w/Bolts (No Cover)
19	1 EZG7-A-14	EZG7 Paddle Cover Kit (No Rubber-Bolts)
20	1 EZG9-A-16	Paddle Bolt Kit
21	1 EZG7-A-9	EZG7 Drive End Outer Paddle Kit
22	1 EZG7-A-10	EZG7 Drive End Center Paddle Kit
23	1 EZG7-A-11	EZG7 Bearing End Center Paddle Kit
24	1 EZG7-A-12	EZG7 Bearing End Outer Paddle Kit
25	6 13-116	Paddle Shaft Seals
26	4 GH-17	Inner Seal Plate
27	2 GH-18	Outer Seal Plate
28	4 EZG-3-P	Paddle Mounts

PARTS LIST		ITEM	QTY	PART NUMBER	DESCRIPTION
		1	1	07-197	Complete Hub Assembly (181+)
		1a	1	07-127	Complete Hub Assembly (001-180)
		2	4	07-198	Lug Nut (181+)
		2a	4	07-134	Lug Nut (001-180)

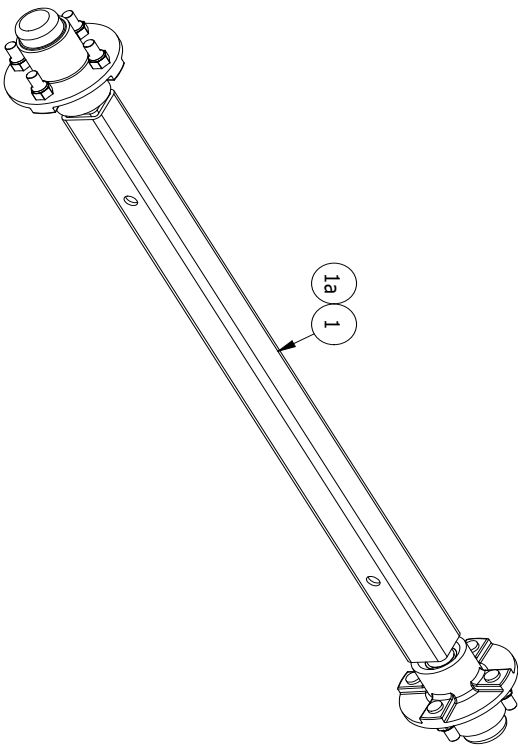
Complete Hub Assembly



Items 2 and 2a can be purchased separately.

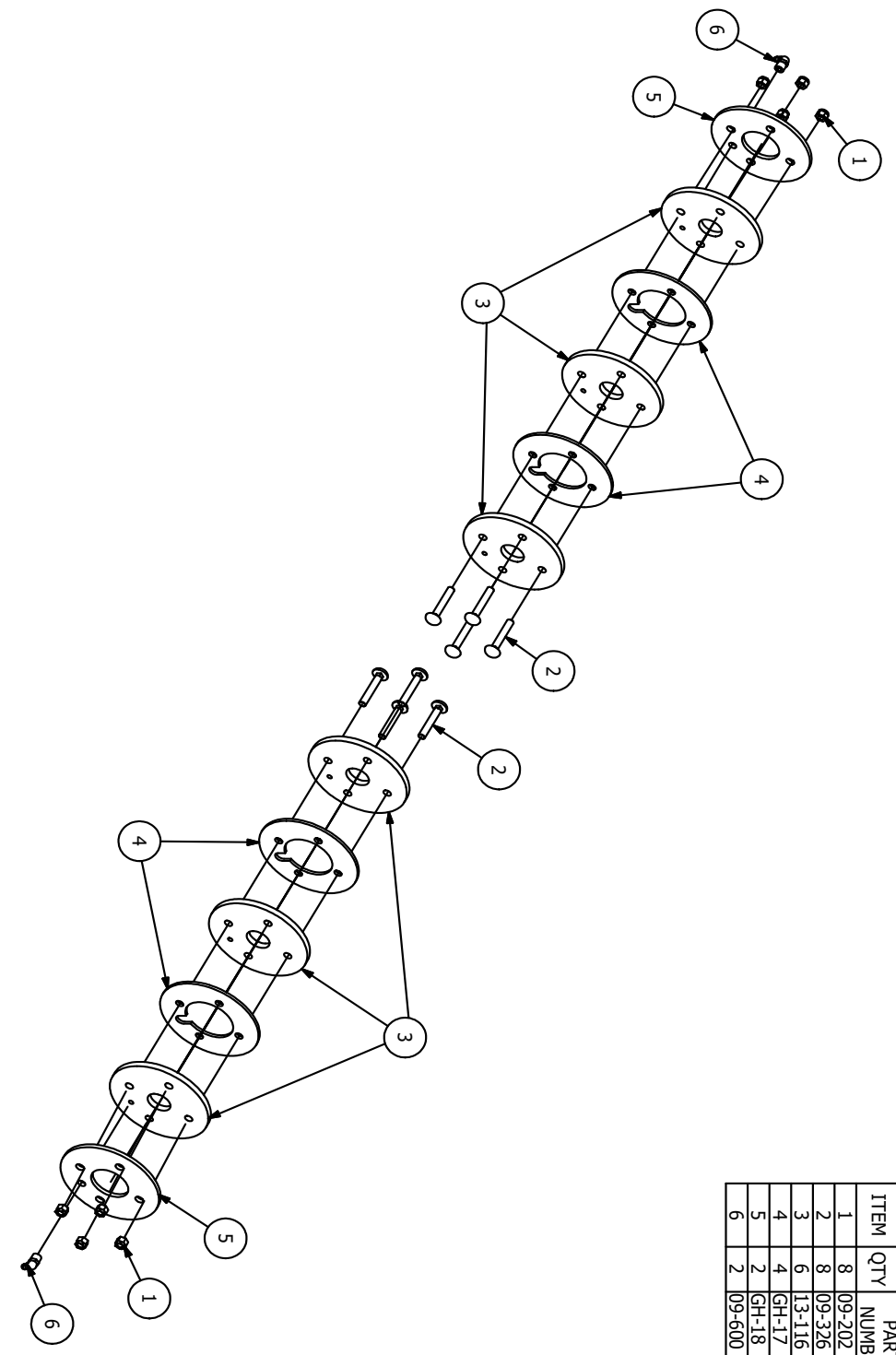
PARTS LIST		ITEM	QTY	PART NUMBER	DESCRIPTION
		1	1	EZG-A-35	Assembly, Complete Axle (181+)
		1a	1	EZG-A-2	Assembly, Complete Axle (001 - 180)

Complete Axle Assembly



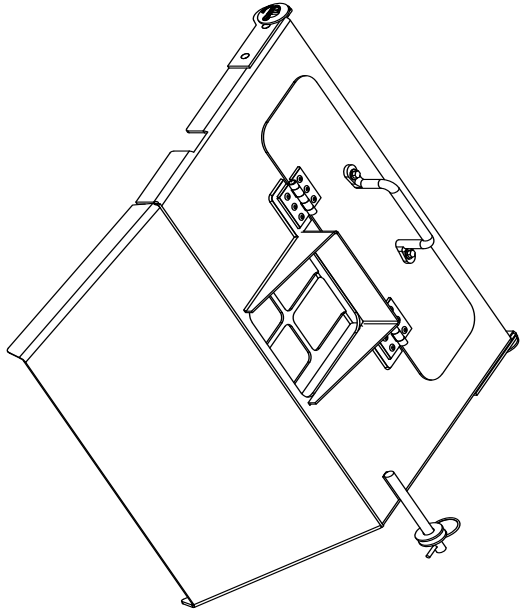
EZG7 Axle & Hub Assemblies

PARTS LIST			DESCRIPTION
ITEM	QTY	PART NUMBER	
1	8	09-202	5/16"-18 Nylon Nut
2	8	09-326	5/16"-18 x 2 Carriage Bolt
3	6	13-116	Grout Hog Urethane Shaft Seals
4	4	GH-17	GH-Rear Seal Intermediate Plate Spacer
5	2	GH-18	GH-Rear Seal Outer Seal Plate
6	2	09-600	1/8" 90 DEG Grease Fitting

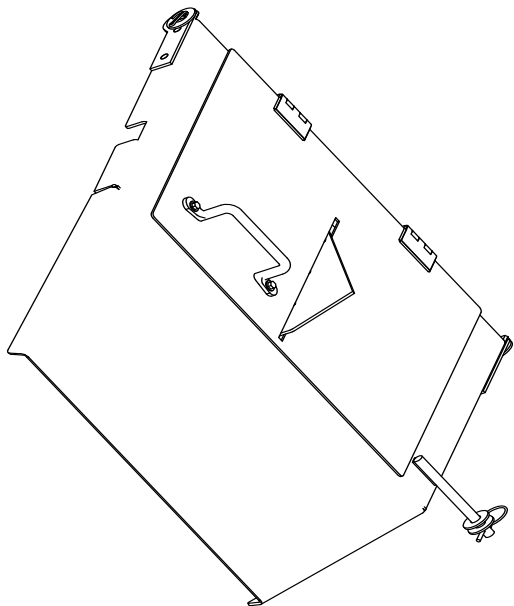


EZG-A-17
(EZG7 & 9 Paddle Shaft Seal Kit)

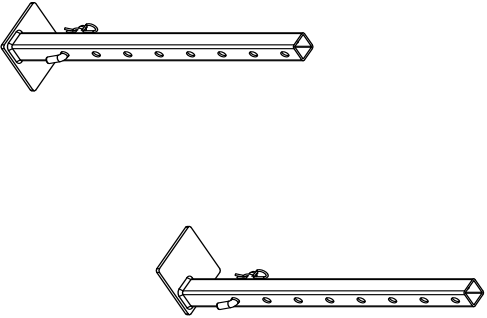
EZG7 - Solid Grate - Silo (1-1116)



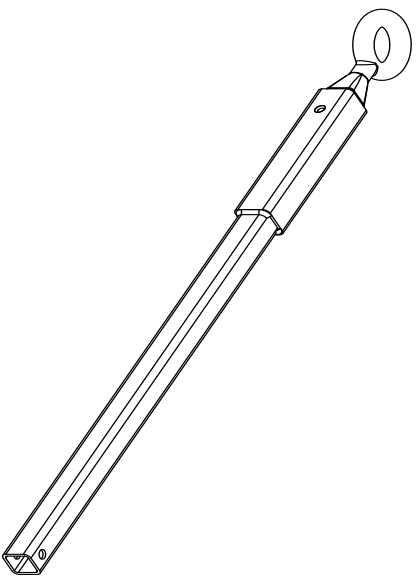
EZG7 - Solid Grate - Bag Ripper (1-1116)



EZG - 7/9/12 Leg Kit w/ Pins



EZG-A-9 EZG - Pintle Tongue Assembly



EZG7 OPTIONS

WARRANTY

Limited Warranty

The manufacturer warrants that products manufactured shall be free from defects in material and workmanship that develop under normal use for a period of one year on all products from the date of shipment. The foregoing shall be the exclusive remedy of the buyer and the exclusive liability of the manufacturer. Our warranty excludes normal replaceable wear items, i.e. gaskets, wear parts, seals, O-rings, belts, drive chains, clutches, etc. Any equipment, part or product which is furnished by the manufacturer but manufactured by another, bears only the warranty given by such other manufacturer. (Manufacturer agrees to furnish free of charge a written description of problem or cause.) Warranty is voided by product abuse, alterations, use of equipment in applications for which it was not intended, use of non-manufacturer parts, or failure to follow documented service instructions. The foregoing warranty is exclusive of all other warranties whether written or oral, expressed or implied. No warranty of merchantability or fitness for a particular purpose shall apply. The agents, dealers, and employees of Manufacturer are not authorized to make modifications to this warranty, or additional warranties binding on the Manufacturer. Therefore, additional statements, whether oral or written, do not constitute warranty and should not be relied upon.

The Manufacturer's sole responsibility for any breach of the foregoing warranty provisions, with respect to any product or part not conforming to the Warranty or the description herein contained, is at its option (a) to repair, replace, or refund such product or parts upon the prepaid return thereof to location designated specifically by the Manufacturer. Product returns not shipped prepaid will be refused (b) as an alternative to the foregoing modes of settlement- the Manufacturer's dealer may repair defective units with reimbursement for expenses. A written description of problem or cause must accompany all warranty claims.

Except as set forth here in above and without limitation of the above, there are no warranties or other affirmation which extend beyond the description of the products on the fact here of, or as to operational efficiency, product reliability, or maintainability or compatibility with products furnished by others. In no event, whether as a result of breach of contract or warranty or alleged negligence, shall the Manufacturer, be liable for special or consequential damages including but not limited to: Loss of profits or revenue, loss of use of the product or any associated product, cost of capital, cost of substitute products, facilities or services or claims of customers. Manufacturer does not assume responsibility for any accident due to equipment modification.

No claim will be allowed for products lost or damaged in transit. Such claims should be filed with the carrier within fifteen days.

Effective July 20, 2005

EZG Manufacturing is the exclusive manufacturer of the patented Grout Hog® Grout Delivery System the Mud Hog® Hydraulic Mixing Station, the Hog Trough® mud pan, the Hog Cart™, the Hog Slopper™, the Booger Hog® Wall Scrubber, the Hog Leg® Wall Brace System, and the Hog Crusher™ Material Recycling System.

Fax Warranty Registration form to 740-962-2037 or submit online at www.ezgmfg.com by clicking on "Resources" then "Warranty, lastly you can click on the orange "Click Here to Register" button.

WARRANTY REGISTRATION

CONTACT: _____

COMPANY: _____

ADDRESS: _____

CITY: _____ STATE: _____ ZIP: _____

TEL: (____) _____ - _____ FAX: (____) _____ - _____ CELL: (____) _____ - _____

EMAIL: _____

PURCHASED FROM: Direct Distributor: _____

PURCHASE DATE: _____ SERIAL NO. _____

PLEASE COMPLETE THIS WARRANTY CARD, AND RETURN VIA MAIL, FAX, OR E-MAIL, WITHIN 30 DAYS OF PURCHASE TO VALIDATE YOUR MANUFACTURER'S WARRANTY FOR ALL EZG MANUFACTURING PRODUCTS.

WARRANTY PROVISIONS OF THIS MACHINE ARE HANDLED DIRECTLY THROUGH THE MANUFACTURER.

EZG MANUFACTURING * 1833 North Riverview Road, Malta, OH 43758 *

PHONE 1-800-417-9272 * Email: warranty@ezgmfg.com * FAX 740-962-2037

Please take a minute to fill out the survey below so that we can better serve our customers.

EZ Survey

1. WHERE DID YOU FIRST HEAR ABOUT EZG MANUFACTURING? (CHECK ONE)

Masonry Magazine Website Newsletter Referral Masonry Construction

Other: _____

2. WHAT INFLUENCED YOU TO BUY? QUALITY PRICE EASY TO USE OTHER

3. WHO IS YOUR SALES REPRESENTATIVE? _____

4. ARE YOU SATISFIED WITH THE CUSTOMER SERVICE YOU RECEIVED? YES NO

Explain: _____

5. WHAT OTHER EZG MANUFACTURING PRODUCTS DO YOU OWN?

6. WOULD YOU LIKE TO BE FEATURED IN OUR NEWSLETTER? YES NO

If yes, where can we reach you and what is the best time?

Comments: _____

