



Before using Reversible Plate Compactors, study and understand the entire Owner's Manual.

Serial Number _____



ERPC150 - ERPC200 REVERSIBLE PLATE COMPACTORS Owner's Manual



**Reversible Plate
Compactors**
EZG MANUFACTURING
1-800-417-9272

EZG Manufacturing
405 Watertown Road
Waterford, Ohio 45786
(740) 749-3512 or 1-800-417-9272
Fax (740) 962-2037 www.ezgmfg.com

TABLE OF CONTENTS

INTRODUCTION.....	3
ABOUT THIS MANUAL.....	3
GENERAL INFORMATION.....	3
SAFETY INFORMATION.....	3
SAFETY PRECAUTIONS.....	4-5
CALIFORNIA PROPOSITION 65 WARNING.....	6
MACHINE DESCRIPTION.....	6
PRE-START CHECKS.....	7
START & STOP PROCEDURE.....	7
OPERATION.....	8-9
SERVICE & MAINTENANCE.....	10
TRANSPORTATION AND STORAGE.....	10
WARNING LABELS AND LOCATIONS.....	11
GEAR BOX ASSEMBLY - ERPC150.....	12-13
BASE PLATE ASSEMBLY - ERPC150.....	14
SAFETY COVER ASSEMBLY - ERPC200.....	15
ENGINE BASE ASSEMBLY- ERPC150.....	16-17
HANDLE BARASSEMBLY - ERPC150.....	18-19
GEAR BOX ASSEMBLY - ERPC200.....	20-21
BASE PLATE ASSEMBLY - ERPC200.....	22-23
ENGINE BASE ASSEMBLY- ERPC200.....	24-25
HANDLE BARASSEMBLY - ERPC200.....	26-27
SAFETY COVER ASSEMBLY - ERPC200.....	28-29
NOTES / SERVICE RECORDS.....	30
WARRANTY.....	31
WARRANTY REGISTRATION.....	32

INTRODUCTION

Congratulations on purchasing one of the finest pieces of construction equipment on the market today! If this is your first EZG Manufacturing product, you will not be disappointed. If you have previously owned an EZG Manufacturing product, you will find the same high quality and dependability that you have come to expect from EZG Manufacturing.

ABOUT THIS MANUAL





The purpose of this manual is to inform the owner/employer/and the operator, how to safely operate this piece of equipment, and make them aware of any hazards. It also contains important information regarding assembly, set up, operation, and maintenance. It is the Owner/Employer's responsibility to make sure that anyone who operates this machine understands all safety warnings. If you do not understand any items in this manual, please contact the dealer where this product was purchased, or the manufacturer at the number listed throughout this manual. If you have any suggestions about how to make this manual easier to understand, contact the manufacturer. Keep this manual available for reference wherever this piece of equipment is being used and make it available to any operators.

GENERAL INFORMATION

Illustrations in this manual may show details or components that may not be the same as your machine. Continuing improvements to the design of this machine may have caused changes that are not included in this manual. The information in this document is subject to change without notice.

SAFETY INFORMATION

The following safety symbols and signal words will be used throughout this manual and on the product, for your safety and the safety of others, please become familiar with their meaning and heed their warnings.

	This symbol, either used alone or with a signal word, is used to call your attention to instructions involving your safety and/or the safety of others. Failure to follow these instructions will likely result in personal injury or death.
 DANGER	This signal word is used to identify a hazard which, if not avoided, will result in death or serious injury.
 WARNING	This signal word is used to identify a hazard which, if not avoided, could result in death or serious injury.
 CAUTION	This signal word is used to identify a hazard which, if not avoided, could result in minor or moderate injury.
NOTICE	This signal word is used to identify a hazard which, if not avoided, could result in property or equipment damage. It also may be used for special instructions related to performance, maintenance or general items.

SAFETY PRECAUTIONS



WARNING

Failure to obey the following safety instructions could result in DEATH or SERIOUS INJURY.

Read and understand entire manual before operating the Reversible Plate Compactors.

For your safety and the safety of others, replace any missing or damaged warning decals by contacting the manufacturer at 1-800-417-9272.

Make sure anyone operating the Reversible Plate Compactors is thoroughly familiar with its operation. Keep all unauthorized and untrained personnel, especially children, away from Reversible Plate Compactors



Improper maintenance can be hazardous. Read and understand this section before you perform any maintenance, service or repairs.

General Safety

- The owner of this machine must observe, and also train the user of the machine to observe, the effective labour protection laws in the country of application.
- This machine is to be used for its intended application only.
- This machine must only be operated by well-trained personnel.
- Personal Protective Equipment (PPE) must be worn by the operator whenever the equipment is being used.
- Cordon off the work area and keep members of the public and unauthorised personnel at a safe distance.
- If the surface to be compacted is on a slope, great care must be taken when controlling the machine's direction of travel. Always work up and down a slope, not across.
- Make sure you know how to safely switch this machine OFF before you switch it ON in case you run into any difficulties.
- Always switch OFF the engine before servicing it.
- This machine must be operated on the ground where stability is guaranteed. When working near the rim of excavated trenches, use the machine properly so that the machine may not collapse or fall down.
- During use, the engine becomes very hot. Always allow the engine to cool down before touching it.
- Never leave the engine running and unattended.
- Never remove or tamper with any fitted guards; they are there for your own protection. If they are damaged or missing, DO NOT USE THE MACHINE until the guard has been replaced or repaired.
- Always switch OFF the engine before transporting it, moving it around site or servicing it.
- Do not operate the machine when you are ill, feeling tired or when under the influence of alcohol or drugs.
- This machine is designed to eliminate the possible risks arising from the use of it. However, risks DO reside, and these residual risks are not clearly recognisable and may cause personal injury or property damage, and possibly death. If such unpredictable and unrecognisable risks become apparent, the machine must be stopped immediately, and operator or his supervisor must take appropriate measure to eliminate such risks. It is sometimes necessary that the manufacturer must be informed of such an event for future counter measuring.

SAFETY PRECAUTIONS



WARNINGS (*continued*)

Fuel Safety



Fuel is flammable. It may cause injury and property damage. Shut down the engine, extinguish all open flames and do not smoke while filling the fuel tank. Always wipe up any spilled fuel.

- Before re-fuelling, switch off the engine and allow it to cool.
- When re-fuelling, use a proper funnel, and avoid spilling over the engine.
- When re-fuelling, DO NOT smoke or allow naked flames in the area.
- Spilt fuel must be made safe immediately by using sand. If fuel is spilt on your clothes, change them.
- Store fuel in an approved, purpose made container away from heat and sources of ignition.

Health & Safety

Fuel

Do not ingest fuel or inhale fuel vapors and avoid contact with your skin. Wash fuel splashes immediately. If you get fuel in your eyes, irrigate with copious amounts of water and seek medical attention as soon as possible.

Exhaust Fumes



The exhaust fumes produced by this machine are highly toxic and can kill! Make sure the work area is adequately ventilated.

Do not operate the Reversible Plate Compactor indoors or in confined spaces. Make sure the work area is adequately ventilated.

Dust

The compaction process can produce dust, which may be hazardous to your health. Always wear a mask that is suited to the type of dust being produced.

California - Proposition 65 Warning

Engine exhaust and some of its constituents, and some dust created by power sanding, sawing, grinding, drilling, and other construction activities contains chemicals known to the State of California to cause cancer, birth defects and other reproductive harm. Some examples of these chemicals are:

Lead from lead based paints - Crystalline silica from bricks - Cement and other masonry products -Arsenic and chromium from chemically treated lumber

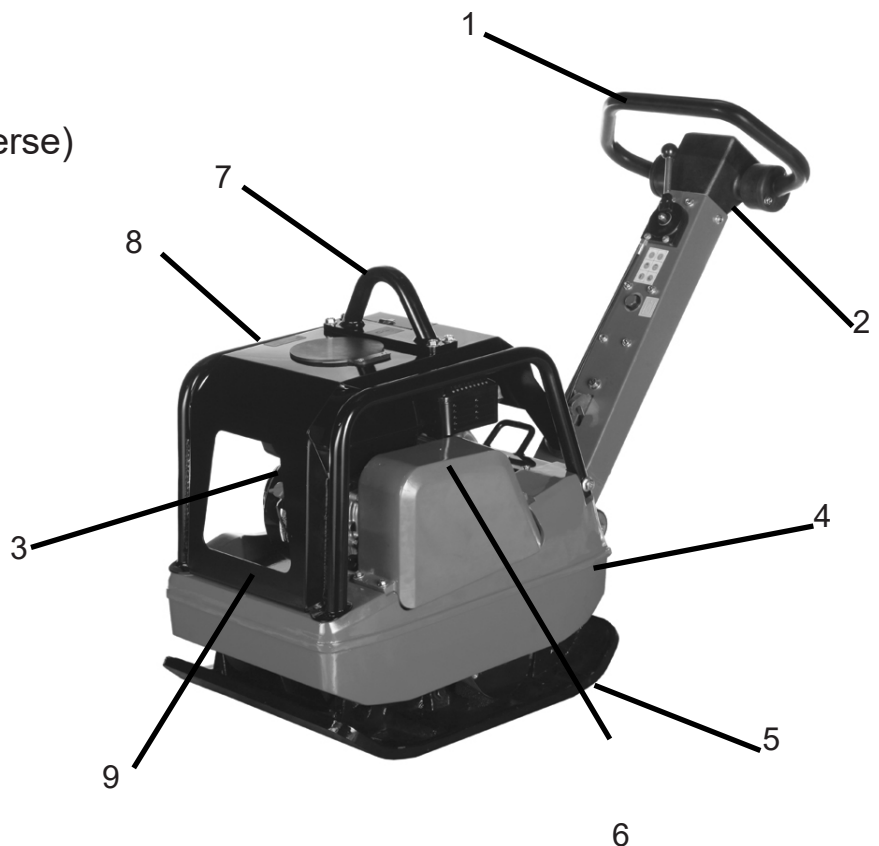
Your risk from these exposures varies, depending on how often you do this type of work. To reduce your exposure to these chemicals: ALWAYS work in a well ventilated area, and work with approved safety equipment, such as dust masks that are specially designed to filter out microscopic particles.

MACHINE DESCRIPTION

Whether patching asphalt, compacting subgrades for roadways, concrete slabs or foundations, installing pavers or any type of surface repair job, vibratory plates are the perfect tool. They force out pockets of air and consolidate the materials to provide a solid base to avoid future damage from undesired settlement. The base of the compaction plate, driven by the directional exciter, allows for easy maneuverability even in tight spaces, while consolidating granular and mixed soils and asphalt repairs. Our reversible plate compactors provide added portability and handling, made possible through the double, two-directional exciters controlled by the controls on the handle. They are ideal for trenches when turning the compactor around is almost impossible, and they produce the highest overall compaction production of any type vibratory plate compactor.

ERPC200

1. Control Handle (Forward/Reverse)
2. Throttle
3. Engine
4. Engine Base
5. Base Plate
6. Belt Guard
7. Lifting Eye
8. Safety Cover
9. Protective Cage



PRE-START CHECKS

The following pre-start checks must be performed before the start of each work session or after every four hours of use, whichever is first. Please refer to the Service and Maintenance section for detailed guidance. If any fault is discovered, the Reversible Plate Compactors must not be used until the fault is rectified.

1. Thoroughly inspect the machine for signs of damage. Make sure all guards are in place and secured. Check for loose bolts and nuts, retighten if necessary.
2. Check hoses, filler openings, drain plugs and any other areas for signs of leakage. Fix any leaks before operating.
3. Check the engine oil level and top up as necessary. Use proper engine oil with the proper viscosity (SAE 10W-30 recommended).
4. Check the engine fuel level and top up as necessary. Use clean fuel. Use of contaminated fuel may damage the fuel system.
5. Check the air filter is clean. Excessive dirt/dust accumulation within the filter element will cause erratic engine operation. Clean the air filter element when it is contaminated. (See Service & Maintenance Section).
6. Check for fuel and oil leaks.

START/STOP PROCEDURE



Improper operation can be hazardous. Read and understand this section before you start the machine.

1. Thoroughly inspect the machine for signs of damage. Make sure all guards are in place and secured. Check for loose bolts and nuts, retighten if necessary.
2. Take the Reversible Compactor to where it is required. Use suitable lifting equipment to position the Reversible Compactor where it is necessary. Make sure the lifting equipment has a WLL (Working Load Limit) suitable for the Reversible Compactor weight. Attach suitable slings or chains only to the lifting point.
3. Never leave the engine running during transporting, even if it is for a short period of time.
4. Having carried out the checks listed in the 'pre-start' section, you may start the engine. Plate Compactors are fitted with a centrifugal clutch which allows the engine to run at idle speed without driving the Plate Compactor. The Centrifugal clutch will be engaged as the speed of engine is increased. For correct operation, the engine speed should be set to maximum.

Before Starting Gasoline Engine

1. Check the oil in the engine crankcase. Be sure to maintain the proper level per the engine manufacturer specifications. If the oil is dirty and in need of changing, follow the Engine User Manual instructions.
2. Check the fuel supply. Refer to Engine User Manual.

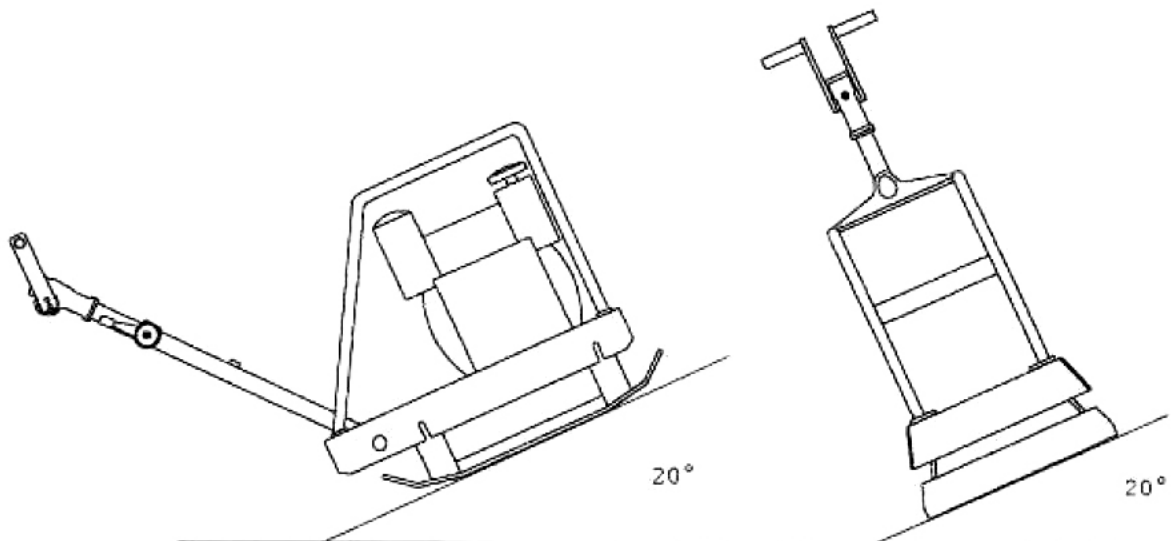
OPERATIONS

1. Run the engine at full throttle and allow the Reversible Compactor to pull itself along at its normal speed.
2. When operating on an incline it may be necessary to assist the Reversible Compactor by pushing it forward slightly.
3. When operating downhill hold the Reversible Compactor back slightly, if it begins to pick up speed.
4. Depending on the material being compacted, 3 or 4 passes are recommended to achieve the best compaction.
5. While a certain amount of moisture in the soil is necessary, excessive moisture may cause soil particles to stick together and prevent good compaction.
6. If soil is extremely wet, allow it to dry somewhat before compacting.
7. If soil is so dry as to create dust clouds while operating Reversible Compactor, some moisture should be added to the ground material to improve compaction. This will also reduce service to the air filter.
8. When using the Reversible Compactor on paving stones, attach a pad to the bottom of the plate to prevent chipping or grinding surface of stones.



Do not operate the Reversible Compactor on concrete or on extremely hard, dry, compacted surfaces. The plate will jump rather than vibrate and could damage both the plate and the engine.

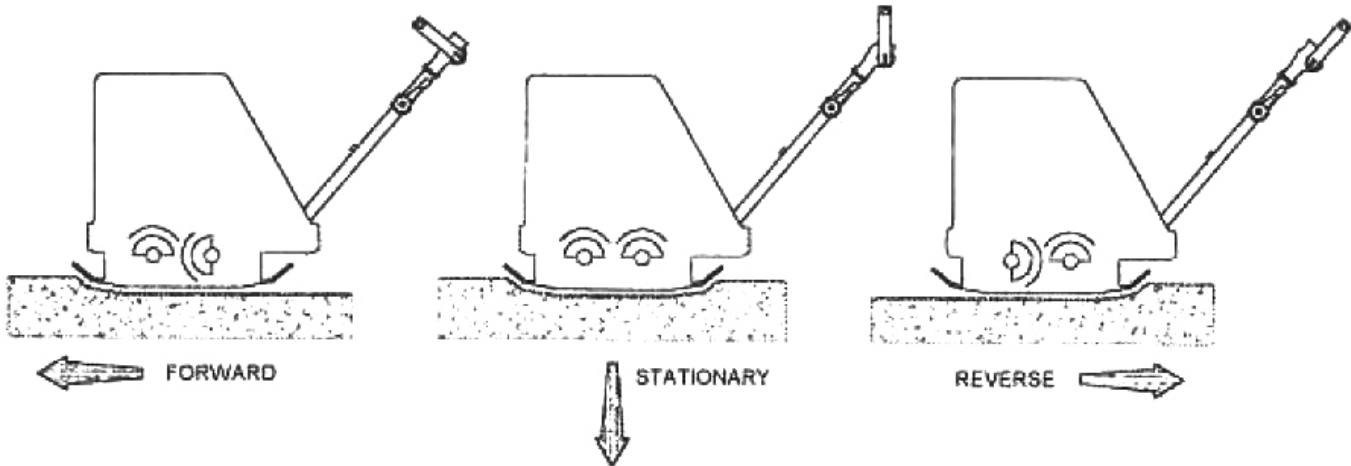
Maximum Admissible Inclination



OPERATIONS

Regarding Speed and Direction

The plate compactor has a hydraulic system which enables a gradual increase in speed. The direction of travel is determined by the control on the guide pole.



Application

Application This Reversible Plate Compactor is designed for compacting loose, granular soils, gravel, paving stones and asphalt. It is intended to be used in confined areas and areas next to structures such as walls, curbs, and foundations. Reversible Compactors with water tanks can be used for compacting asphalt. This Reversible Plate Compactor is not recommended for compacting cohesive soils with heavy clay content. For cohesive soil, use a Compacting Rammer.

SERVICE & MAINTENANCE

Engine Oil Change

1. Check oil level daily or before each use using the proper dipstick and fill as needed.
2. Change oil every 250 hours using SAE 10W30 oil. Operate the engine to warm the oil prior to draining
3. Fill up until fit level with the mark on the dipstick with machine on a level surface.

WARNING

Use oil with viscosity and characteristics prescribed by engine maker (look at engine manual).

Dry Air Filter

1. To prevent carburetor malfunctions, clean regularly air filter.
2. Never use low flash point solvents for cleaning the air filter.
3. Never run the engine without the air cleaner.

Bathed in oil air filter

1. Unhook the oil tank from filter.
2. Remove used oil and add new oil until fit to fill level.
3. Remove dirty which is in the filter cap.
4. Clean aspiration pipe.
5. Check washer conditions and replace if necessary.

Hydraulic system

1. Move centre pole into vertical position.
2. Open filler bore.
3. Check oil level, top up if necessary.
4. Top up with hydraulic oil T68.
5. Close filler bore.

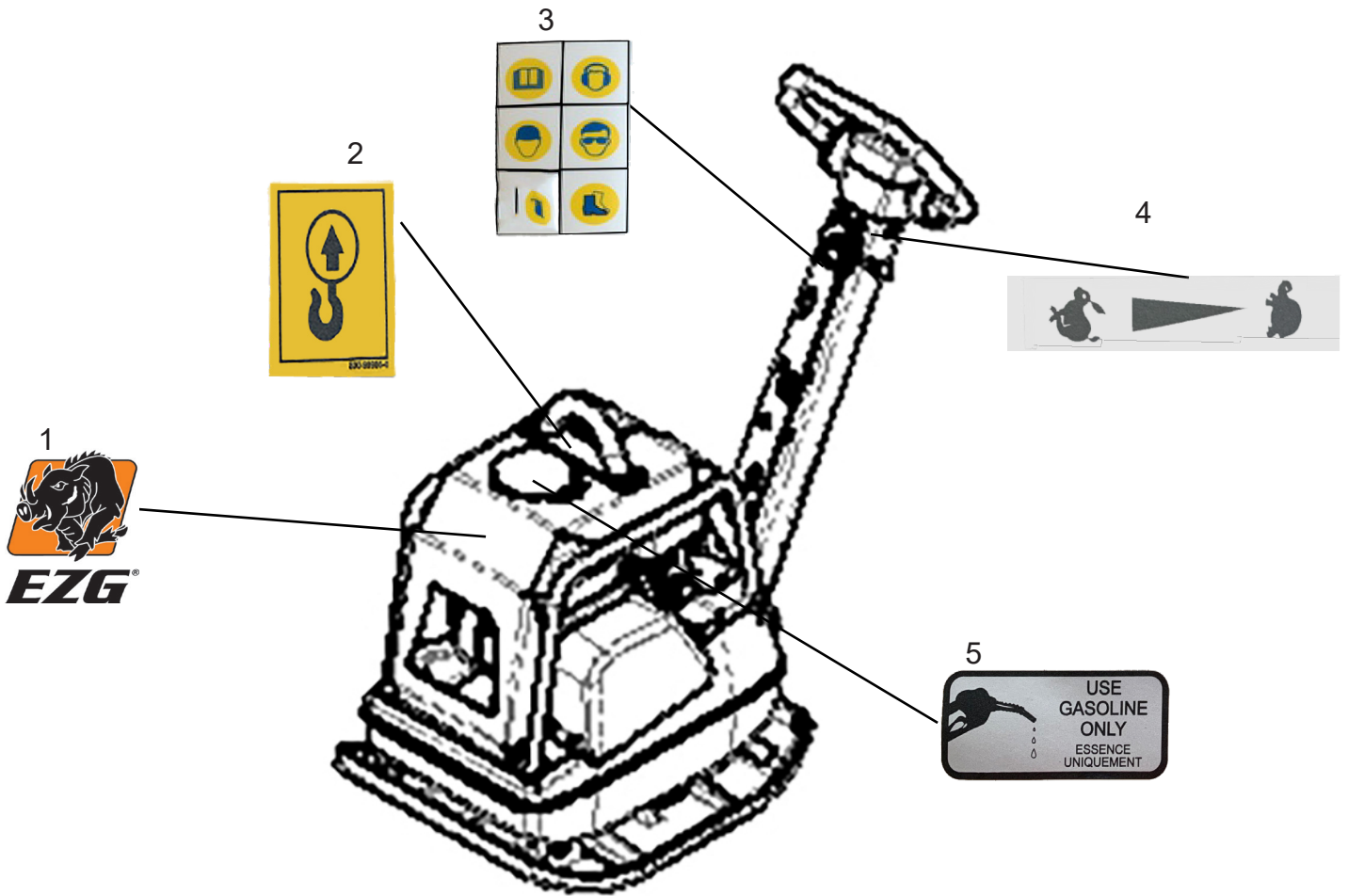
TRANSPORTATION AND STORAGE



Extreme Care must be taken when transporting, loading or unloading this machine.

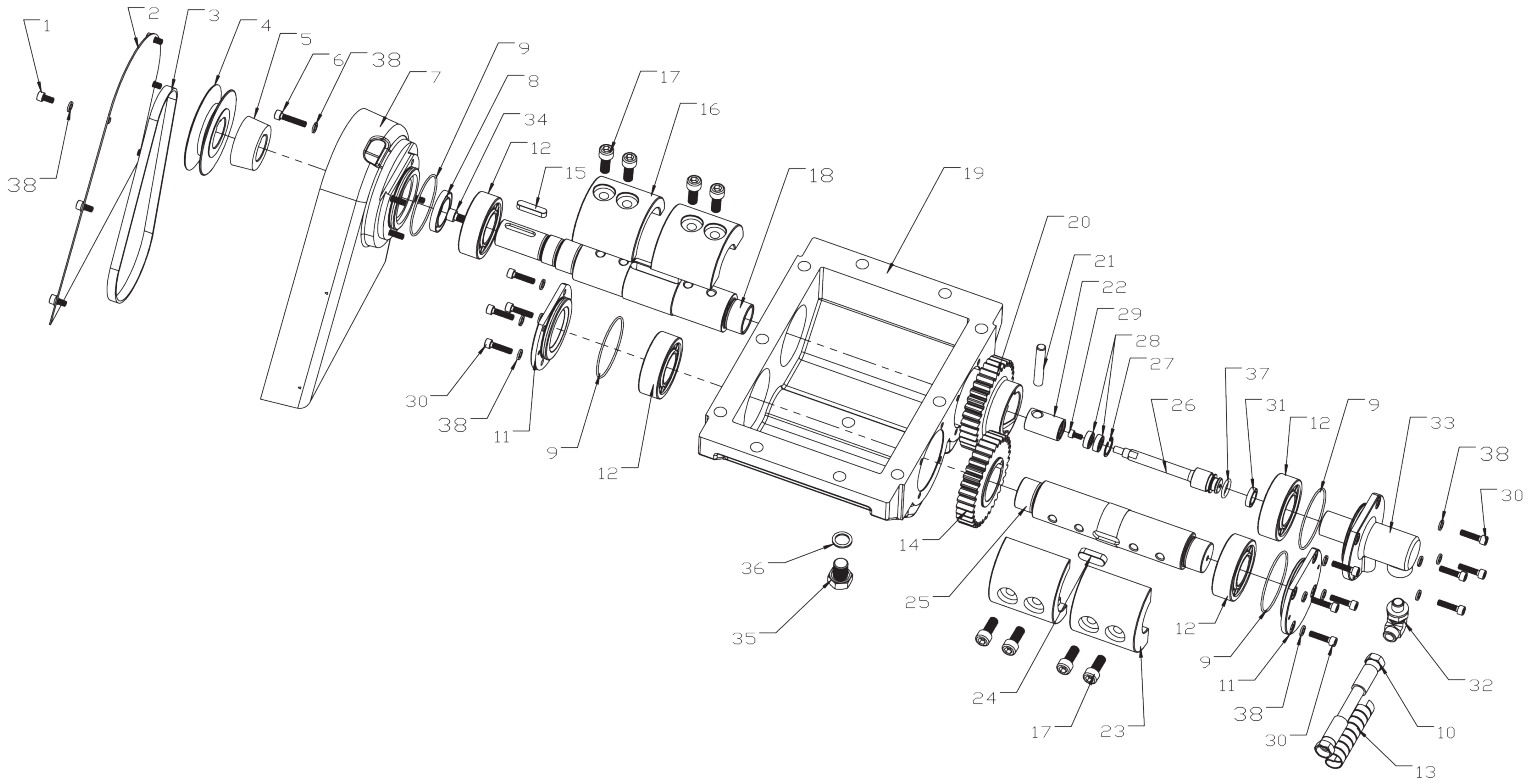
- For long-term storage, empty the fuel in the carburetor by running the engine with the fuel tap closed.
- The chemical composition of the fuel will deteriorate after prolonged storage. When the machine needs to be stored for a long time, remove all the fuel from the fuel tank and the water from the water tank. Also remove the fuel from the float chamber of the carburetor by draining the fuel out from the drain plug.
- Wash away excessive dirt accumulated on the Reversible Compactor. Clean the engine mounting plate. Cover the machine and store it in a dry place.
- Where applicable, always use the lifting hook for hoisting purposes. Use proper hoisting equipment and techniques.
- Be certain the area surrounding the machine is clear of personnel before hoisting

WARNING LABELS AND LOCATIONS



ITEM	PART NUMBER	DESCRIPTION	QUANTITY
A	ERPC-DECAL	LABEL KIT	1
1		EZG Logo Decal - A	1
2		Lift Hook Decal - A	1
3		Protective Gear Decal - A	1
4		Throttle Decal - B	1
5		Gasoline Decal - A	1

GEAR BOX ASSEMBLY - ERPC150



REVERSIBLE PLATE COMPACTOR [ERPC150] GEAR BOX ASSEMBLY

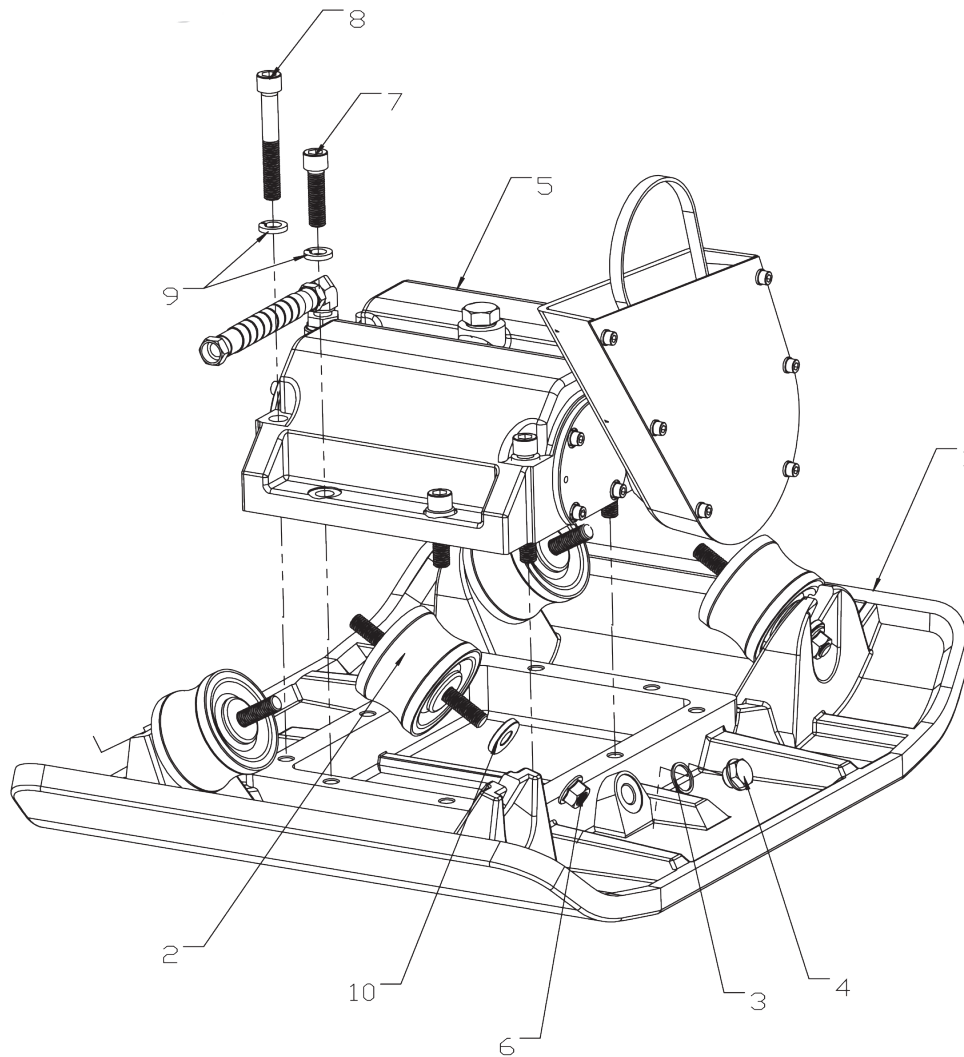
GEAR BOX ASSEMBLY - ERPC150

NO.	PART NO.	PART NAME	QTY
01-1	HS.B-M6X12-12.9-GB-3	Bolt	6
01-2	15-A	V-belt Seal Sheet	1
01-3	W02-BX35	V-belt	1
01-4	53-A	Gear Box Pulley	1
01-5	54-A	Taper Bore Bush	1
01-6	HS.B-M6X30-12.9-GB-3	Bolt	7
01-7	13-A	V-belt Cover Base Plate	1
01-8	61-A	Gear Box Oil seal	1
01-9	W04-68X2	Oil ring	4
01-10	20-A	Hydraulic Hose	1
01-11	21-A	Bearing Cover	2
01-12	55-A	Roller bearing	4
01-13	ROL650-024000	Spiral Guard	1
01-14	125-A	Secondary gear	1
01-15	KEY.A-8*7*25	Primary Axle key	1
01-16	23-A	Eccentric weight-primary	2
01-17	HS.B-M10x25-12.9-GB-3	Socket Head Screw	8
01-18	15-A	Primary Axle	1
01-19	01-A	GearBox	1

NO.	PART NO.	PART NAME	QTY
01-20	126-A	Switch gear	1
01-21	25-A	Led pin	1
01-22	16-A	Guide led Pin	1
01-23	24-A	Eccentric weight-Secondary	2
01-24	28-A	Secondary Axle Key	1
01-25	26-A	Secondary axle	1
01-26	18-A	Plunger rod	1
01-27	117-A	Circlip-Switch Plunger	1
01-28	56-A	Ball bearing	2
01-29	HS.B-M5X10-8.8-DIN-1	Bolt	1
01-30	HS.B-M6X25-12.9-GB-3	Bolt	12
01-31	W03-14*22*5	Oil Seal-Plunger	1
01-32	CPT400-208-A	GB Connector	1
01-33	31-A	Switch Cylinder	1
01-34	HS.B-M8X16-8.8-DIN-2	Socket Screw	1
01-35	FN.B-M16X20-8.8-DIN-1	Bolt	1
01-36	ZH-D-M16	Washer	1
01-37	W04-22*3.1	O-ring	1
01-38	HSPG-W6-GB-3	SPRING- Washer	25

REVERSIBLE PLATE COMPACTOR [ERPC150] GEAR BOX ASSEMBLY

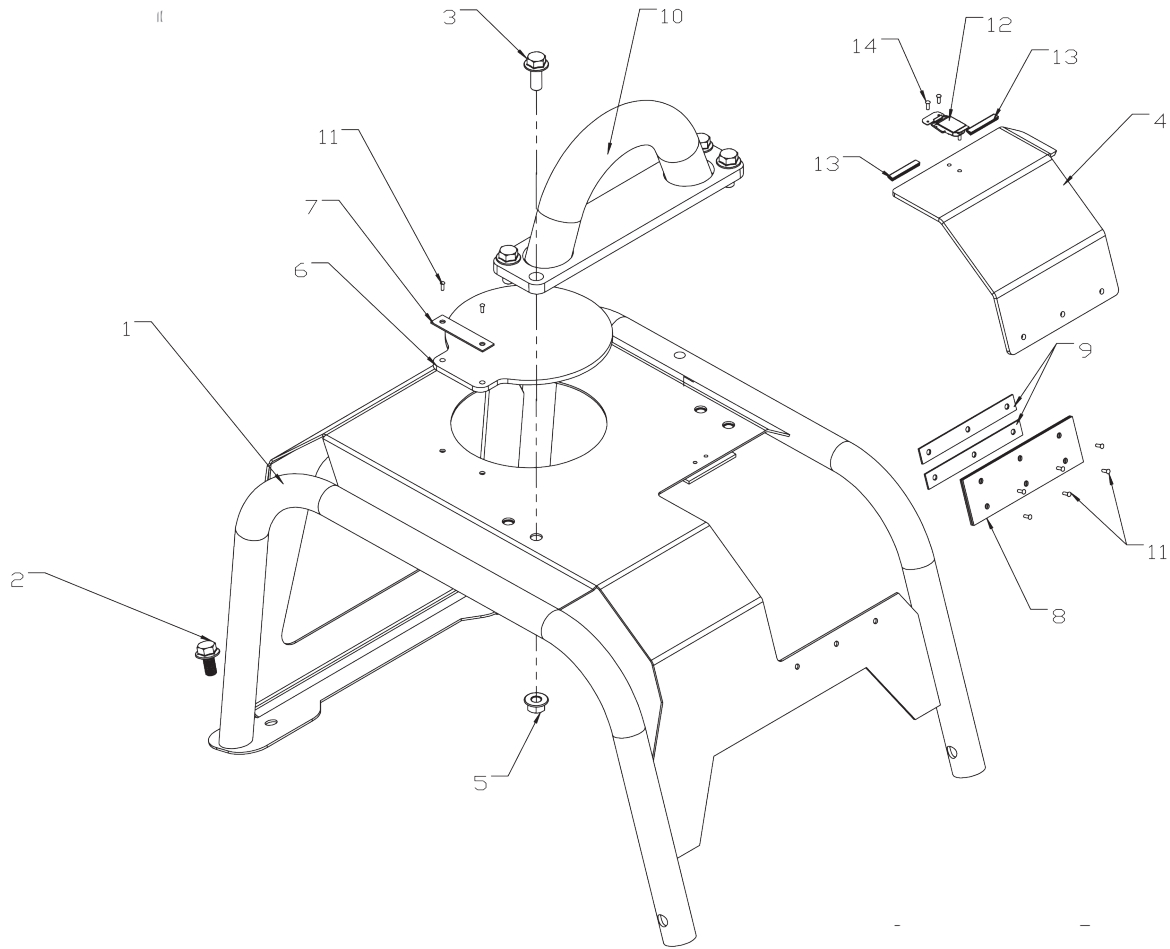
BASE PLATE ASSEMBLY - ERPC150



NO.	PART NO.	PART NAME	QTY
02-01	02-B	Base Plate	1
02-02	09-A©	Shock Mount	4
02-03	ZH-D-M16	Washer	1
02-04	HH0S.B-M16X1.5-DIN-3	Bolt	1
02-05	01	GearBox Assembly	1SET
02-06	HF.N-M12-DIN-2	HEXAGONAL NUT	8
02-07	HS.B-M12X45-12.9-GB-3	Bolt	4
02-08	HS.B-M12X85-12.9-GB-3	Bolt	6
02-09	HSPG-W12-GB-3	SPRING- Washer	10
02-10	316-A	Washer	4

REVERSIBLE PLATE COMPACTOR [ERPC150] BASE PLATE ASSEMBLY

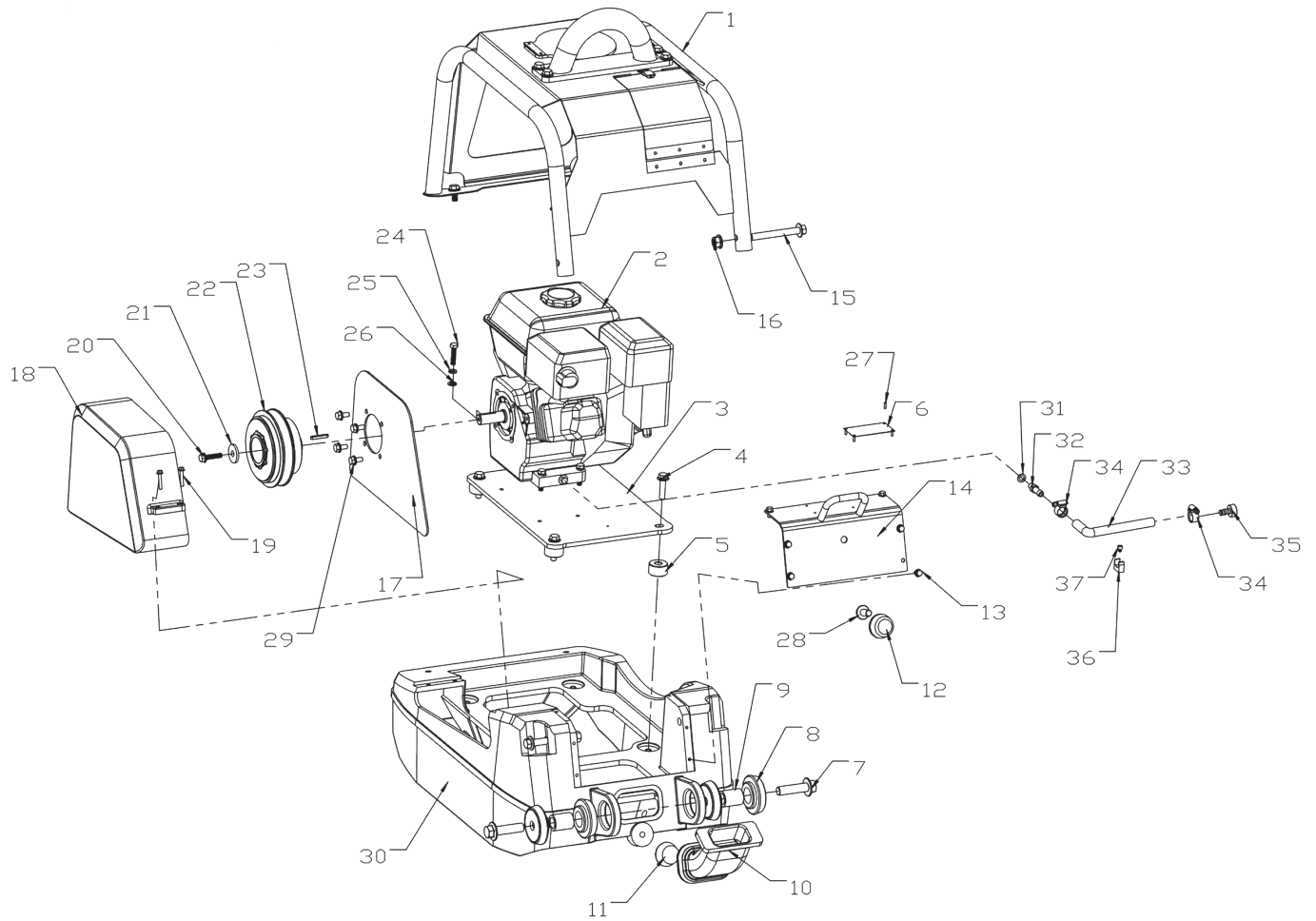
SAFETY COVER ASSEMBLY - ERPC150



NO.	PART NO.	PART NAME	QTY
05-1	09-A(GX160)	Safety Cover Weldment	1
05-2	HF.B-M10X20-8.8-DIN-2	Bolt	2
05-3	HF.B-M10X25-8.8-DIN-2	Bolt	4
05-4	12.2A(GX160)	Air Filter Cover-Honda	1
05-5	HF.N-M10-DIN-2	Hexagonal Nut	4
05-6	18-A	Rubber Patch	1
05-7	30-A	Rubber Patch Holder	1
05-8	17-A	Rubber Connect patch	1
05-9	16-A	Plank Holder	2
05-10	165-A	Lift eye	1
05-11	K.RVT-4.0x10	Rivet	8
05-12	DK607-4	Lock	1
05-13	01-3150-2551-01	Rubber Band	2
05-14	K.RVT-3.2x7.1	Rivet	4

REVERSIBLE PLATE COMPACTOR [ERPC150] SAFETY COVER ASSEMBLY

ENGINE BASE ASSEMBLY - ERPC150



REVERSIBLE PLATE COMPACTOR [ERPC150] ENGINE BASE ASSEMBLY

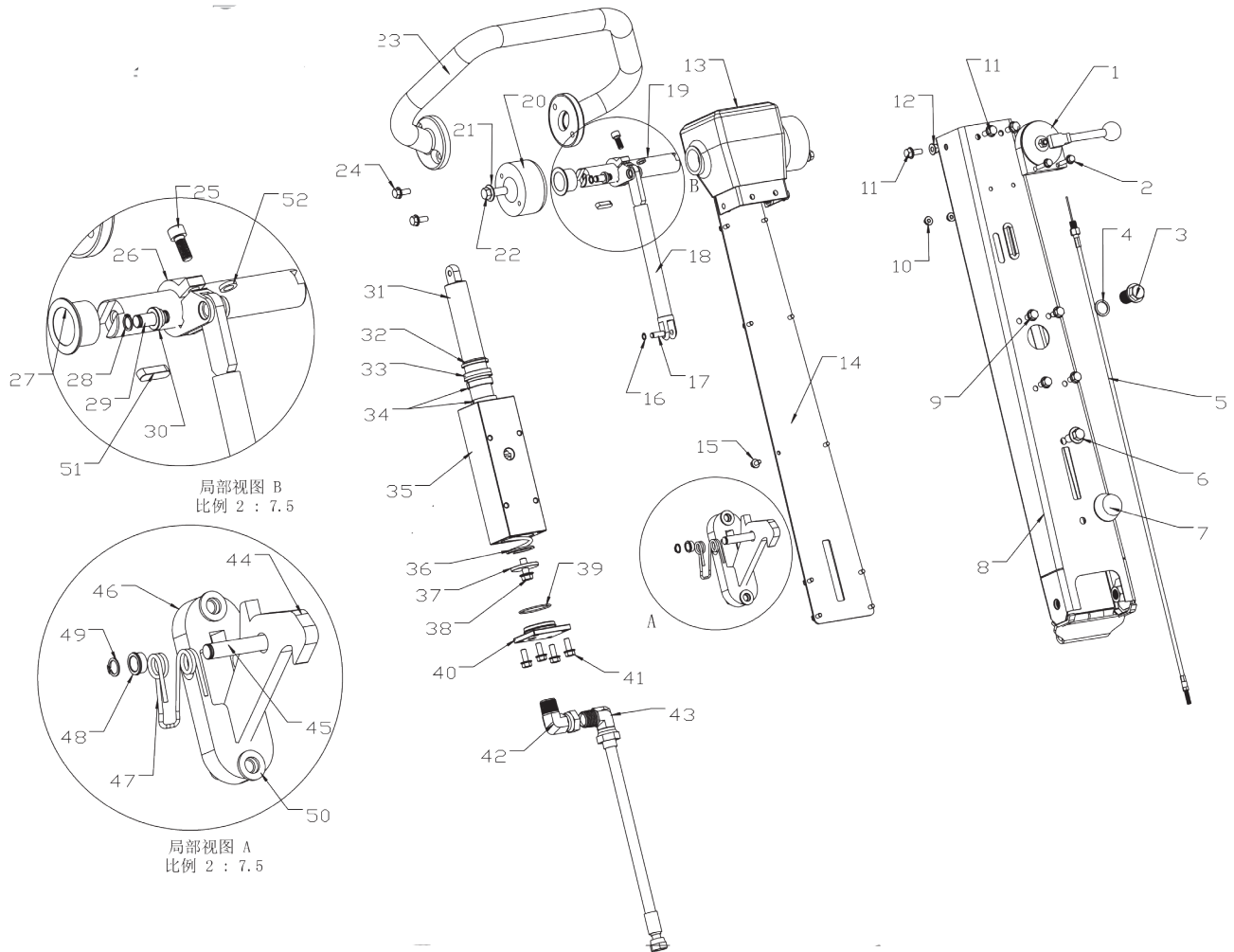
ENGINE BASE ASSEMBLY - ERPC150

NO.	PART NO.	PART NAME	QTY
03-1	05-A	Safety Cover Assembly	1SET
03-2	W05-GX160UT2-SWX2	Engine	1
03-3	05-A	Engine Mount Plate	1
03-4	HF.B-M10X45-8.8-DIN-2	Bolt	4
03-5	163-A(GX160)	Engine Block	4
03-6	80-0409	NAMEPLATE	1
03-7	HF.B-M16X60-8.8-DIN-2	Bolt	2
03-8	19-A©	Handle Bar Shock mount	4
03-9	24-A	Distance Pipe	2
03-10	17-A©	Handle Bar Tube	1
03-11	18-B©	HandleBar Touch	1
03-12	1B20-11-A	BLOCK	1
03-13	HF.B-M6X10-8.8-DIN-2	Bolt	6
03-14	1B20-10-A	Cover Front- Welding	1
03-15	HF.B-M12X100-8.8-DIN-2	Bolt	2
03-16	HF.N-M12-DIN-2	Hexagonal Nut	2
03-17	11-A(GX160)	Back Plate	1
03-18	06-D	Cover V-Belt	1
03-19	HF.B-M8X45-8.8-DIN-2	Bolt	4

NO.	PART NO.	PART NAME	QTY
03-20	HF.B-M8X35-8.8-DIN-2	Bolt	1
03-21	CPT80-0303	Washer	1
03-22	090-2561(HONDA-GX160)	Centrifugal Clutch	1
03-23	KEY.A-5×5×36	KEY	1
03-24	FN.B-M8X35-8.8-DIN-2	Bolt	4
03-25	HSPG.W8-DIN-2	SPRING WASHER	4
03-26	FN.W12-DIN-2	WASHER	4
03-27	K.RVT-3.2-11	RIVET	4
03-28	HF.B-M12X12-8.8-DIN-2	Bolt	1
03-29	HF.B-M8X16-8.8-DIN-2	Bolt	4
03-30	01-F	Engine Base	1
03-31	ZH-D-M10	WASHER	1
03-32	RBC90-29-A	DRAIN CONNECTOR	1
03-33	HOOP,D20-45	HOSE PIPE CLAMP	2
03-34	RBC90-09-A	HOSE PIPE	1
03-35	RBC90-27-A	DRAIN PLUG	1
03-36	RBC90-13-A	Engine Rubber sheet	1
03-37	HS.B-M4x10-8.8-GB-1	BOLT	1
03-38	RBC90-14-A	HOSE PIPE BRACKET	1

REVERSIBLE PLATE COMPACTOR [ERPC150] ENGINE BASE ASSEMBLY

HANDLE BAR ASSEMBLY - ERPC150



REVERSIBLE PLATE COMPACTOR [ERPC150] HANDLE BAR ASSEMBLY

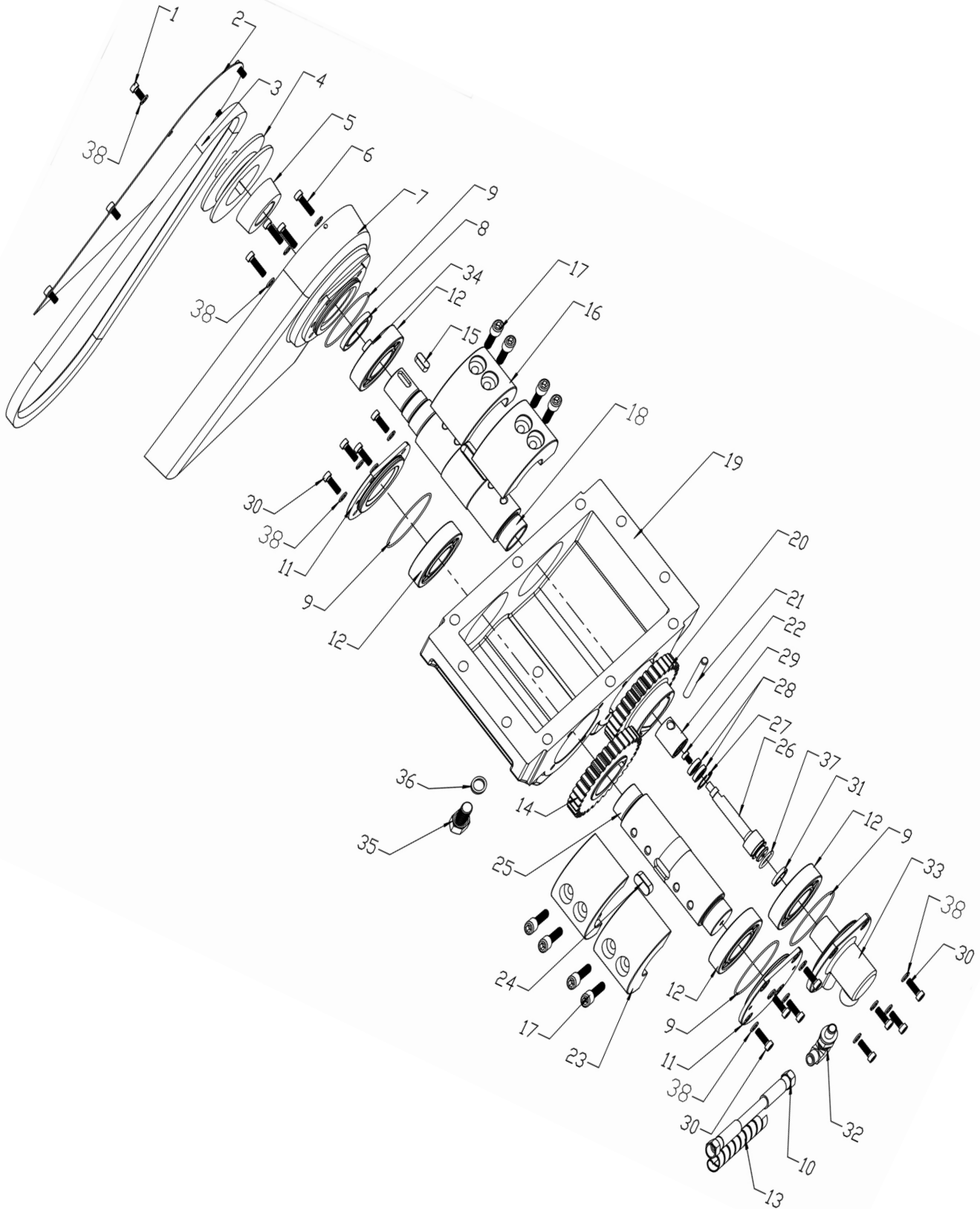
HANDLE BAR ASSEMBLY - ERPC150

NO.	PART NO.	PART NAME	QTY
04-1	151978	Control lever	1
04-2	HF.B-M6x30-8.8-DIN-2	Bolt	2
04-3	HHOS.B-M20x1.5X10	Bolt	1
04-4	ZH-D-M20	Washer	1
04-5	25-A	Control Cable	1
04-6	HF.B-M12X25-8.8-DIN-2	Bolt	1
04-7	18-B©	HandleBar Touch	1
04-8	1B20-22-B	Handle Support Welding	1
04-9	HF.B-M8x16-8.8-DIN-2	Bolt	4
04-10	HF.N-M6-DIN-2	Hexagonal Nut	2
04-11	HF.B-M8x20-8.8-DIN-2	Bolt	4
04-12	IN.N-M8-DIN-2	LockNut	4
04-13	123-C	Handle Bar Housing	1
04-14	1B20-15-A	Handle bar Cover	1
04-15	HF.B-M6x12-8.8-DIN-2	Bolt	10
04-16	CS.RG8	Circlip	2
04-17	119-B	Eye pin-pin 8x26	1
04-18	1B20-10.2-A	Shift Bar Weldment	1
04-19	131-A	Handle Bar Axis	1
04-20	200-A	Shift handle Bar Shock Mount	2
04-21	WOD.W12-DIN-2	Washer	2
04-22	HF.B-M12x30-8.8-DIN-2	Bolt	2
04-23	315	Shift handle bar assembly	1
04-24	HF.B-M8x20-8.8-DIN-2	Bolt	4
04-25	HS.B-M8x20-8.8-GB-1	Bolt	1
04-26	112-A	Handle Lever	1

NO.	PART NO.	PART NAME	QTY
04-27	112.1-A	Bush	2
04-28	CS.RG10	Circlip	2
04-29	117-B	Handle lever pin(pin 10x28)	1
04-30	116-A	Brass Bush	2
04-31	109-B	Piston	1
04-32	202-A	Dust cover	1
04-33	203-A	Oil seal	1
04-34	204-A	Guide ring	2
04-35	110-B	Cylinder	1
04-36	120-A	Cylinder Spring	1
04-37	201-A	Spring Holding Plate	1
04-38	HF.B-M10x25-8.8-DIN-1	Bolt	1
04-39	W04-48x2	O-ring	1
04-40	114-A	Cylinder Cover	1
04-41	HF.B-M8x30-8.8-DIN-2	Bolt	4
04-42	208-A	Connector	1
04-43	209-A	Connector-2	1
04-44	35-C	Hook	1
04-45	37-A	Hook Pin	1
04-46	36-B	Hook Frame	1
04-47	65-C	Hair Spring	1
04-48	64-C	Hook Pin Nylon Bracket	2
04-49	CS.RG16	Circlip	2
04-50	FN.W12-DIN-2	Washer	2
04-51	KEY.A-8x7x30	key	1
04-52	312-A	Washer	1

REVERSIBLE PLATE COMPACTOR [ERPC150] HANDLE BAR ASSEMBLY

GEAR BOX ASSEMBLY - ERPC200



REVERSIBLE PLATE COMPACTOR [ERPC200] GEAR BOX ASSEMBLY

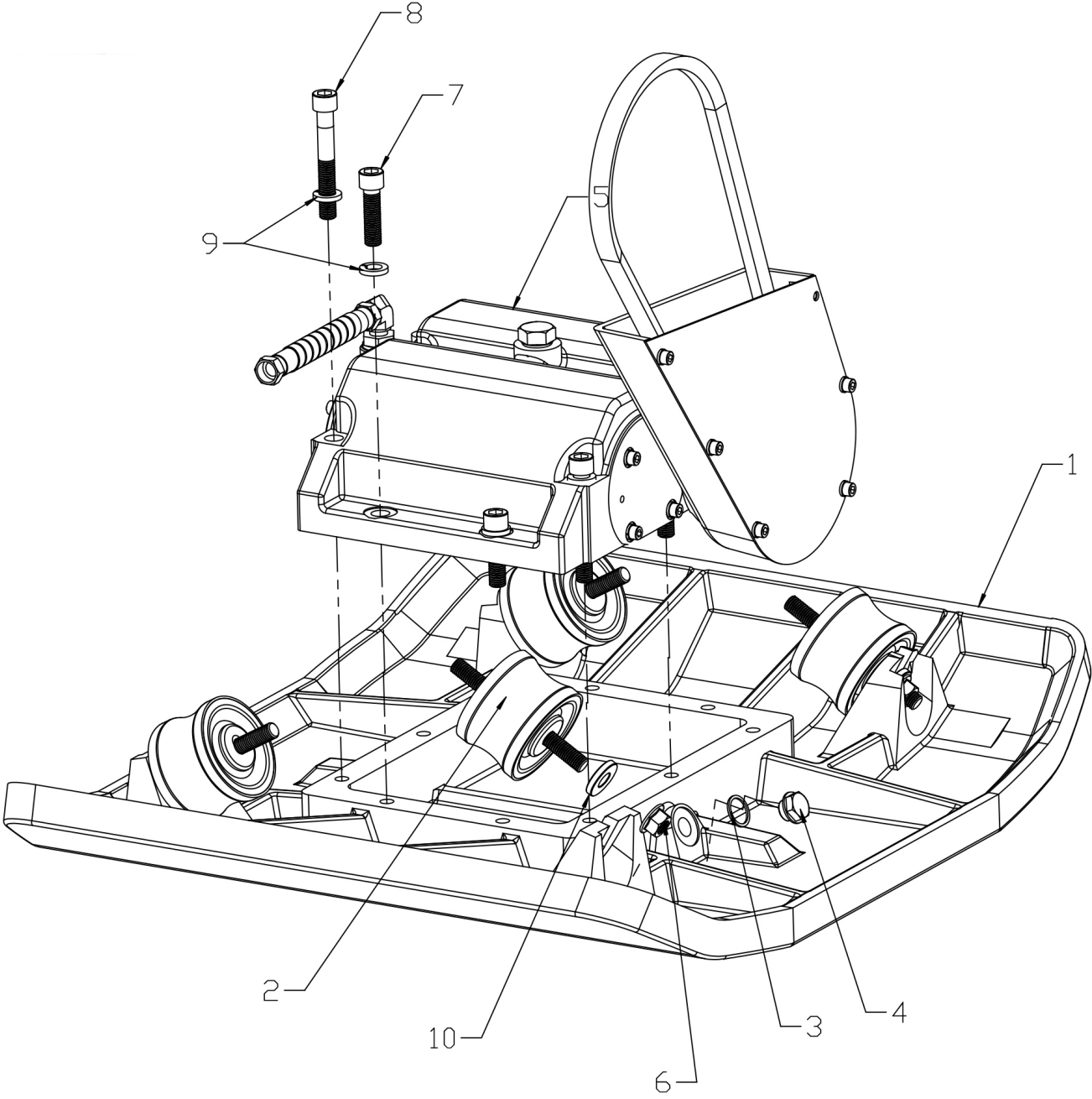
GEAR BOX ASSEMBLY - ERPC200

NO.	PART NO.	PART NAME	QTY
01-1	HS.B-M6X12-12.9-GB-3	Bolt	6
01-2	CPT150-15-A	V-belt Seal Sheet	1
01-3	CPT200-62-A	V-belt	1
01-4	CPT400-53-A	Gear Box Pulley	1
01-5	CPT200-54-A	Taper Bore Bush	1
01-6	HS.B-M6X30-12.9-GB-3	Bolt	7
01-7	CPT150-13-A	V-belt Cover Base Plate	1
01-8	CPT200-61-A	Gear Box Oil seal	1
01-9	W04-68X2	Oil ring	4
01-10	CPT200H-20-A	Hydraulic Hose	1
01-11	CPT200-21-A	Bearing Cover	2
01-12	CPT200-55-A	Roller bearing	4
01-13	ROL650-024000	Spiral Guard	0.7 METER
01-14	CPT200-125-A	Secondary gear	1
01-15	KEY.A-8*7*25	Primary Axle key	1
01-16	CPT150-23-A	Eccentric weight-primary	2
01-17	HS.B-M10x25-12.9-GB-1	Socket Head Screw	8
01-18	CPT200-15-A	Primary Axle	1
01-19	CPT200-01-A	GearBox	1

NO.	PART NO.	PART NAME	QTY
01-20	CPT200-126-A	Switch gear	1
01-21	CPT200-25-A	Led pin	1
01-22	CPT200-16-A	Guide led Pin	1
01-23	CPT150-24-A	Eccentric weight-Secondary	2
01-24	CPT200-28-A	Secondary Axle Key	1
01-25	CPT200-26-A	Secondary axle	1
01-26	CPT200-18-A	Plunger rod	1
01-27	CPT200-117-A	Circlip-Switch Plunger	1
01-28	CPT200-56-A	Ball bearing	2
01-29	HS.B-M5X10-8.8-DIN-1	Bolt	1
01-30	HS.B-M6X25-12.9-GB-3	Bolt	12
01-31	W03-14*22*5	Oil Seal-Plunger	1
01-32	CPT400-208-A	GB Connector	1
01-33	CPT200-31-A	Switch Cylinder	1
01-34	HS.B-M8X16-8.8-DIN-2	Socket Screw	1
01-35	FN.B-M16X20-8.8-DIN-2	Bolt	1
01-36	ZH-D-M16	Washer	1
01-37	W04-22*3.1	O-ring	1
01-38	HSPG-W6-GB-3	SPRING- Washer	25

REVERSIBLE PLATE COMPACTOR [ERPC200] GEAR BOX ASSEMBLY

BASE PLATE ASSEMBLY - ERPC200



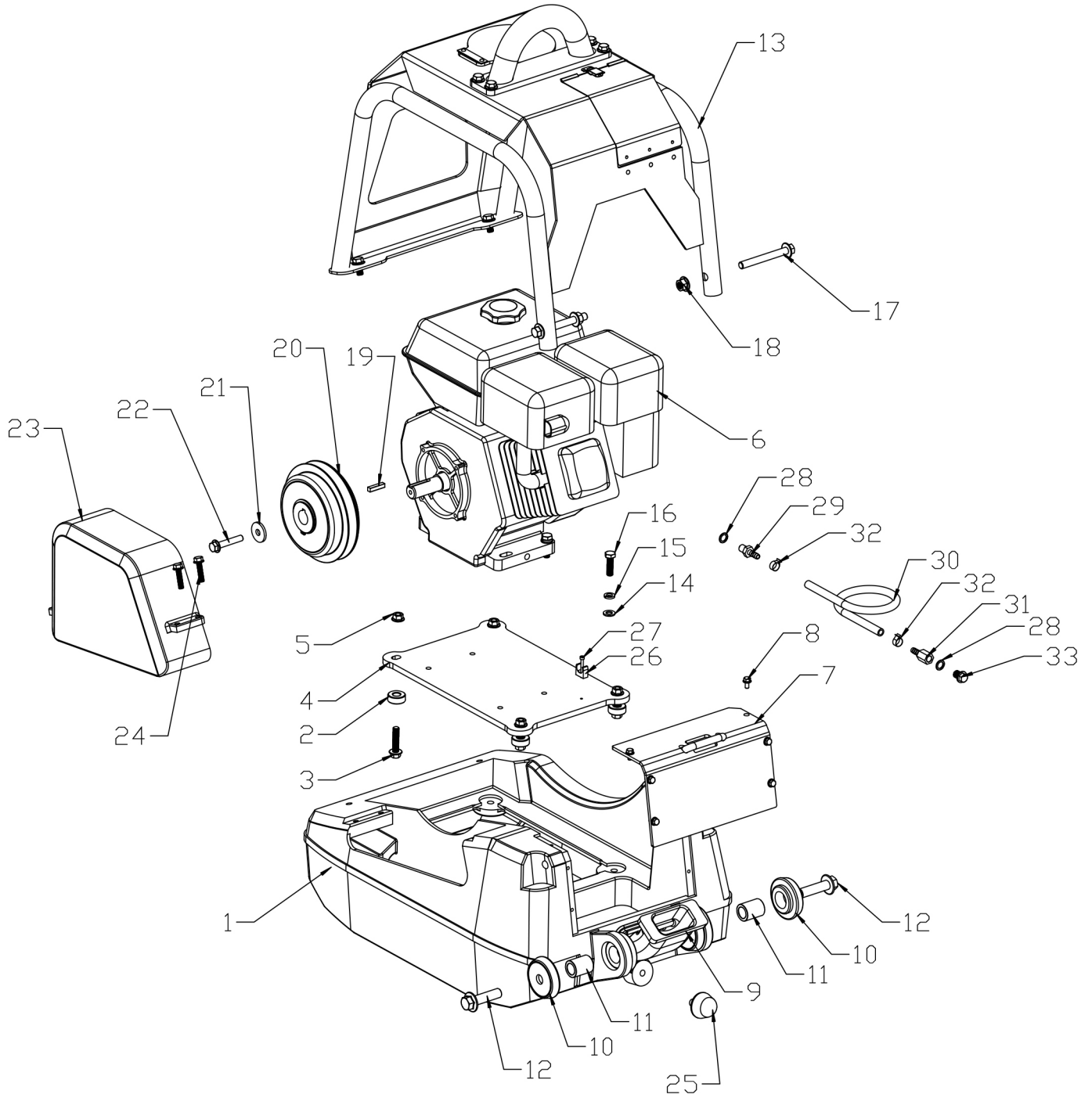
REVERSIBLE PLATE COMPACTOR [ERPC200 BASE PLATE ASSEMBLY

BASE PLATE ASSEMBLY - ERPC200

NO.	PART NO.	PART NAME	QTY
02-1	CPT200-02-A1	Base Plate	1
02-2	CPT200-09-A (C)	Shock Mount	4
02-3	ZH-D-M16	Washer	1
02-4	HHOS.B-M16X1.5	Bolt	1
02-5	ERPC200-0.1	GearBox Assembly	1SET
02-6	HF.N-M12-DIN-2	HEXAGONAL NUT	8
02-7	HS.B-M12X45-12.9-GB-3	Bolt	4
02-8	HS.B-M12X85-12.9-GB-3	Bolt	6

REVERSIBLE PLATE COMPACTOR [ERPC200] BASE PLATE ASSEMBLY

ENGINE BASE ASSEMBLY - ERPC200



REVERSIBLE PLATE COMPACTOR [ERPC200] ENGINE BASE ASSEMBLY

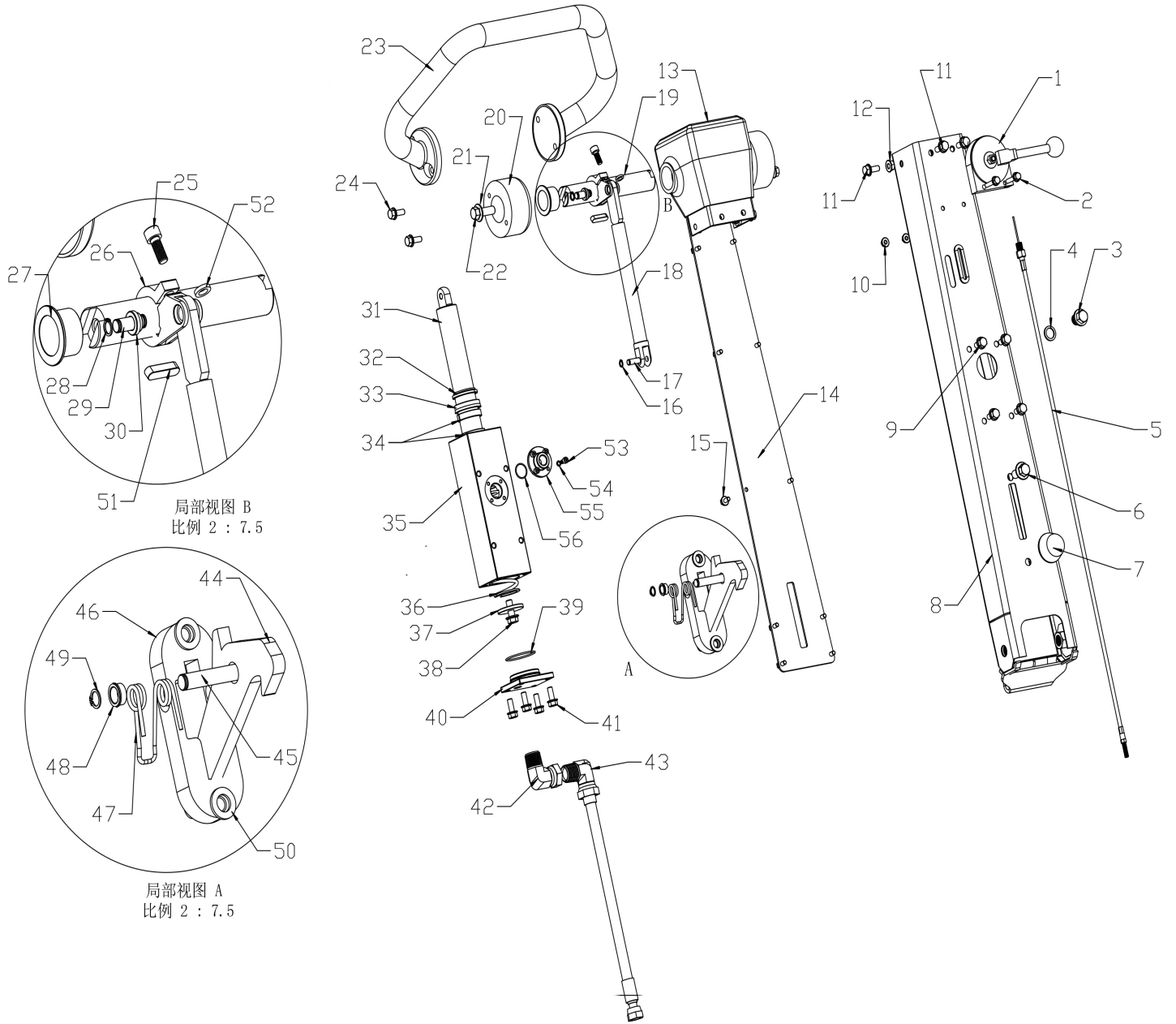
ENGINE BASE ASSEMBLY - ERPC200

NO.	PART NO.	PART NAME	QTY
03-1	CPT200-03-J	Engine Base	1
03-2	CPT200H-163-A	Engine Block	4
03-3	HF.B-M10X45-8.8-DIN-2	Bolt	4
03-4	CPT200H-04-C	Engine Mount Plate	1
03-5	HF.N-M10-DIN-2	Hexagonal Nut	4
03-6	W05-GX270UT2-SWS4	Engine	1
03-7	CPT200-04.2-A	Cover Front- Welding	1
03-8	HF.B-M6X10-8.8-DIN-2	Bolt	6
03-9	CPT400-17-A(C)	Handle Bar Tube	1
03-10	CPT400-19-A(C)	Handle Bar Shock mount	4
03-11	CPT400-24-A	Distance Pipe	2
03-12	HF.B-M16X60-8.8-DIN-2	Bolt	2
03-13	ERPC200-05-A	Safety Cover Assembly	1SET
03-14	FN.W10-DIN-2	WASHER	4
03-15	HSPG.W10-DIN-2	SPRING WASHER	4
03-16	FN.B-M10×35-8.8-DIN-2	Hexagonal Nut	4
03-17	HF.B-M12X90-8.8-DIN-2	Bolt	2

NO.	PART NO.	PART NAME	QTY
03-18	HF.N-M12-DIN-2	Hexagonal Nut	2
03-19	KEY.B-7×7×32	KEY	1
03-20	CPT200-125-1805 (GX270)	Centrifugal Clutch	1
	CPT200-125-1780	Centrifugal Clutch	
	CPT200H-11-A	CLUTCH WASHER	1
03-21	CPT200H-12-A	Washer	1
03-22	HF.B-M10X55-8.8-DIN-2	Bolt	1
03-23	CPT200-06-D	Cover V-Belt	1
03-24	HF.B-M8X35-8.8-DIN-2	Bolt	4
03-25	CPT400-18-B (C)	HandleBar Touch	1
03-26	RBC90-14-A	HOSE PIPE CLAMP	1
03-27	HS.B-M4×10-8.8-GB-1	SCREW	1
03-28	GB97.1-M12	CUPRUM WASHER	2
03-29	ROL650-010300	CONNECTOR A	1
03-30	ROL650-010500	HOSE	1
03-31	ROL650-010400	CONNECTOR B	1
03-32	RAM85d-000026	HOSE BAND	2
03-33	HHOS.B-M12x1.5	HEXAGON HEAD PLUG	1

REVERSIBLE PLATE COMPACTOR [ERPC200] ENGINE BASE ASSEMBLY

HANDLE BAR ASSEMBLY - ERPC200



REVERSIBLE PLATE COMPACTOR [ERPC200] HANDLE BAR ASSEMBLY

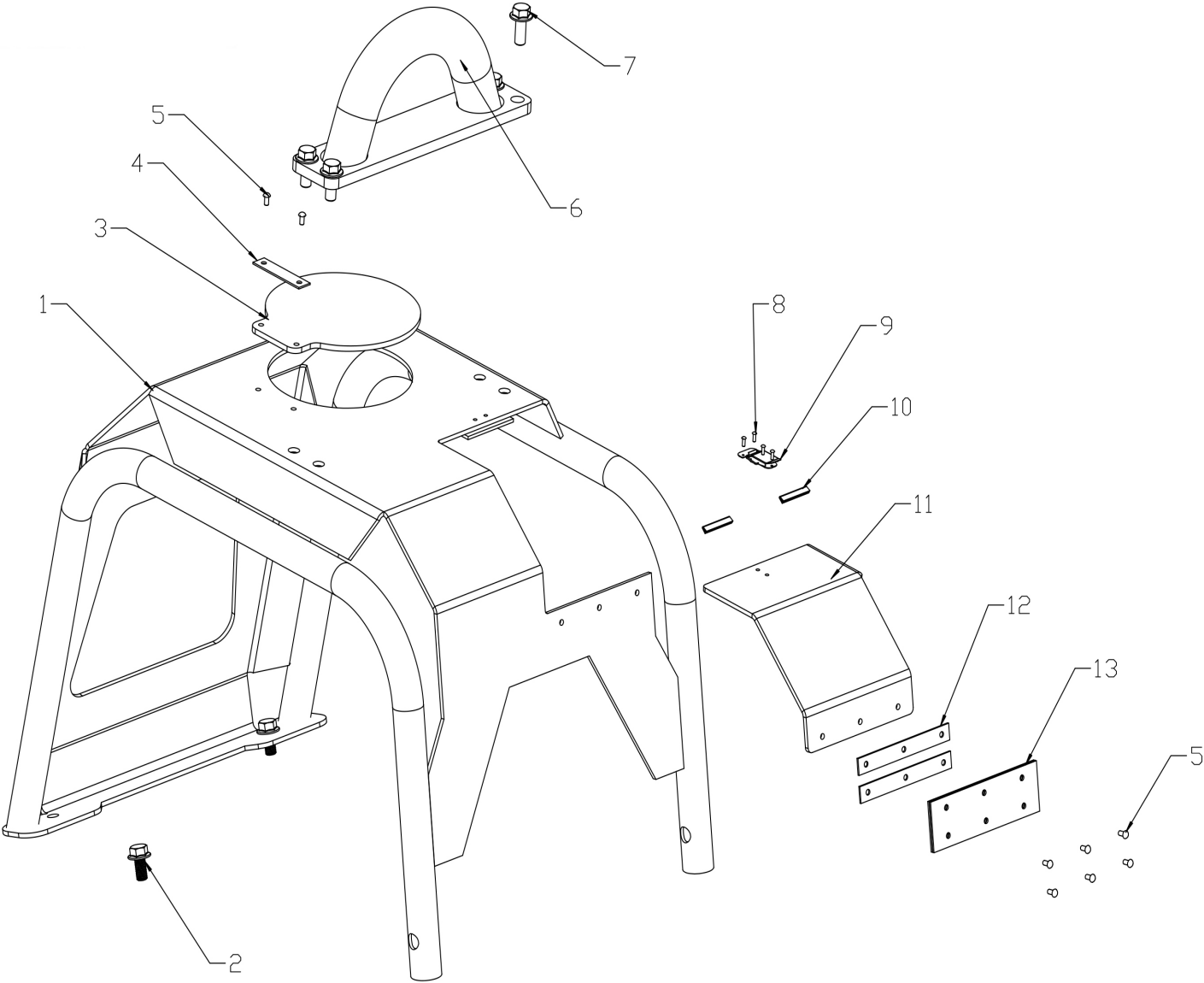
HANDLE BAR ASSEMBLY - ERPC200

NO.	PART NO.	PART NAME	QTY
04-1	151978	Control lever	1
04-2	HF.B-M6x30-8.8-DIN-2	Bolt	2
04-3	4H-16	Bolt	1
04-4	ZH-D-M16	Washer	1
04-5	CPT200H-25-A	Control Cable	1
04-6	HF.B-M12X25-8.8-DIN-2	Bolt	1
04-7	CPT400-18-B (C)	HandleBar Touch	1
04-8	CPT200H-1B20-22-B	Handle Support Welding	1
04-9	HF.B-M8x16-8.8-DIN-2	Bolt	4
04-10	HF.N-M6-DIN-2	Hexagonal Nut	2
04-11	HF.B-M8x20-8.8-DIN-2	Bolt	4
04-12	IN.N-M8-DIN-2	LockNut	4
04-13	CPT400-123-C	Handle Bar Housing	1
04-14	CPT200-1B20-15-A	Handle bar Cover	1
04-15	HF.B-M6x12-8.8-DIN-2	Bolt	10
04-16	CS.RG 8	Circlip	2
04-17	CPT400-119-B	Eye pin-pin 8x26	1
04-18	CPT200H-1B20-10.2-A	Shift Bar Weldment	1
04-19	CPT400-131-A	Handle Bar Axis	1
04-20	CPT400-200-A	Shift handle Bar Shock Mount	2
04-21	WOD.W12-DIN-2	Washer	2
04-22	CPT200-HF.B-M12x30-8.8-DIN-2	Bolt	2
04-23	CPT400-315	Shift handle bar assembly	1
04-24	HF.B-M8x20-8.8-DIN-2	Bolt	4
04-25	HS.B-M8x20-8.8-GB-1	Bolt	1
04-26	CPT400-112-A	Handle Lever	1
04-27	CPT400-112.1-A	Bush	2
04-28	CS.RG 10	Circlip	2

NO.	PART NO.	PART NAME	QTY
04-29	CPT400-117-B	Handle lever pin(pin 10x28)	1
04-30	CPT400-116-A	Brass Bush	2
04-31	CPT400-109-B	Piston	1
04-32	CPT400-202-A	Dust cover	1
04-33	CPT400-203-A	Oil seal	1
04-34	CPT400-204-A	Guide ring	2
04-35	CPT400-110-B	Cylinder	1
04-36	CPT150-120-A	Cylinder Spring	1
04-37	CPT400-201-A	Spring Holding Plate	1
04-38	HF.B-M10x25-8.8-DIN-1	Bolt	1
04-39	W04-48x2	O-ring	1
04-40	CPT400-114-A	Cylinder Cover	1
04-41	HF.B-M8x30-8.8-DIN-2	Bolt	4
04-42	CPT400-208-A	Connector	1
04-43	CPT400-209-A	Connector-2	1
04-44	CPT400-35-C	Hook	1
04-45	CPT400-37-A	Hook Pin	1
04-46	CPT400-36-B	Hook Frame	1
04-47	CPT400-65-C	Hair Spring	1
04-48	CPT400-64-C	Hook Pin Nylon Bracket	2
04-49	CS.RG 16	Circlip	2
04-50	FN.W12-DIN-2	Washer	2
04-51	KEY.A-8x7x30	key	1
04-52	CPT400-312-A	Washer	1
04-53	HS.B-M5x10-8.8-DIN-2	Bolt	4
04-54	HSPG.W5-DIN-2	Washer	4
04-55	CPT400-110.5-A	Oil filler sleeve	1
04-56	W04-20x1.5	O-ring	1

REVERSIBLE PLATE COMPACTOR [ERPC200] HANDLE BAR ASSEMBLY

SAFETY COVER ASSEMBLY - ERPC200



REVERSIBLE PLATE COMPACTOR [ERPC200] SAFETY COVER ASSEMBLY

SAFETY COVER ASSEMBLY - ERPC200

NO.	PART NO.	PART DESCRIPTION	QTY
04-1	FSN.B-M12x60-GB-3	SUNK HEAD BOLT	2
04-2	FSN.B-M12x90-GB-3	SUNK HEAD BOLT	2
04-3	FSN.B-M10x50-GB-3	SUNK HEAD BOLT	7
04-4	50ND-040003	RAMMER SHOE STEEL PLATE	1
04-5	50ND-040002	RAMMER SHOE WOODEN PLATE	1
04-6	WOD.W10-GB-1	WASHER	1
04-7	50ND-040001	RAMMER SHOE CLAMP PLATE	2
04-8	FN.W10-DIN-1	WASHER	6
04-9	IN.N-M10-DIN-1	LOCK NUT	7
04-10	FN.W12-DIN-1	WASHER	4
04-11	HSPG.W12-DIN-1	SPRING WASHER, TANG ENDS	4
04-12	IN.N-M12-DIN-1	LOCK NUT	4
04-13	70ND-030100B	HANDLE	1

REVERSIBLE PLATE COMPACTOR [ERPC200] SAFETY COVER ASSEMBLY

NOTES

SERVICE RECORDS

SERVICE PERFORMED	DATE	INITIALS

WARRANTY

Limited Warranty

The manufacturer warrants that products manufactured shall be free from defects in material and workmanship that develop under normal use for a period of one year on all products from the date of shipment. The foregoing shall be the exclusive remedy of the buyer and the exclusive liability of the manufacturer. Our warranty excludes normal replaceable wear items, i.e. gaskets, wear parts, seals, O-rings, belts, drive chains, clutches, etc. Any equipment, part or product which is furnished by the manufacturer but manufactured by another, bears only the warranty given by such other manufacturer. (Manufacturer agrees to furnish free of charge a written description of problem or cause.) Warranty is voided by product abuse, alterations, use of equipment in applications for which it was not intended, use of non-manufacturer parts, or failure to follow documented service instructions. The foregoing warranty is exclusive of all other warranties whether written or oral, expressed or implied. No warranty of merchantability or fitness for a particular purpose shall apply. The agents, dealers, and employees of Manufacturer are not authorized to make modifications to this warranty, or additional warranties binding on the Manufacturer. Therefore, additional statements, whether oral or written, do not constitute warranty and should not be relied upon.

The Manufacturer's sole responsibility for any breach of the foregoing warranty provisions, with respect to any product or part not conforming to the Warranty or the description herein contained, is at its option (a) to repair, replace, or refund such product or parts upon the prepaid return thereof to location designated specifically by the Manufacturer. Product returns not shipped prepaid will be refused (b) as an alternative to the foregoing modes of settlement - the Manufacturer's dealer may repair defective units with reimbursement for expenses. A written description of problem or cause must accompany all warranty claims.

Except as set forth here in above and without limitation of the above, there are no warranties or other affirmation which extend beyond the description of the products on the fact here of, or as to operational efficiency, product reliability, or maintainability or compatibility with products furnished by others. In no event, whether as a result of breach of contract or warranty or alleged negligence, shall the Manufacturer, be liable for special or consequential damages including but not limited to: Loss of profits or revenue, loss of use of the product or any associated product, cost of capital, cost of substitute products, facilities or services or claims of customers. Manufacturer does not assume responsibility for any accident due to equipment modification.

No claim will be allowed for products lost or damaged in transit. Such claims should be filed with the carrier within fifteen days.

Effective July 20, 2005

EZG Manufacturing is the exclusive manufacturer of the patented Grout Hog® Grout Delivery System the Mud Hog® Hydraulic Mixing Station, the Hog Trough® mud pan, the Hog Cart™, the Hog Slopper™, the Booger Hog® Wall Scrubber, the Hog Leg® Wall Brace System, and the Hog Crusher™ Material Recycling System.

WARRANTY REGISTRATION

Contact:

Company:

Address:

City:

State:

Zip:

Tel:

Fax:

Cell:

Email:

Purchased From:

Direct Distributor:

Purchase Date:

Serial No.

**Fax Warranty Registration form to 740.962.2037
or submit online at www.ezgmfg.com by clicking
on “Products” then “Warranty Cards”.**

PLEASE COMPLETE THIS WARRANTY CARD, AND RETURN
VIA MAIL, FAX, OR E-MAIL, WITHIN 30 DAYS OF PURCHASE
TO VALIDATE YOUR MANUFACTURER’S WARRANTY
FOR ALL EZG MANUFACTURING PRODUCTS.
WARRANTY PROVISIONS OF THIS MACHINE ARE HANDLED
DIRECTLY THROUGH THE MANUFACTURER.

EZG MANUFACTURING * 1833 North Riverview Road, Malta, OH 43758
PHONE 1-800-417-9272 * Email: warranty@ezgmfg.com * FAX 740-962-2037