



Before using this Mud Hog®, study and understand the entire Owner's Manual.

Serial Number _____



**MH20 20ft³(0.56m³)
Mud Hog®
Mixing Station
Owner's Manual**



Mud Hog®
EZG MANUFACTURING
1-800-417-9272

EZG Manufacturing
405 Watertown Road
Waterford, Ohio 45786
(740) 749-3512 or 1-800-417-9272
Fax (740) 962-2037 www.ezgmfg.com

TABLE OF CONTENTS

INTRODUCTION.....	3
ABOUT THIS MANUAL.....	3
GENERAL INFORMATION.....	3
SAFETY INFORMATION.....	3
SAFETY PRECAUTIONS.....	4-5
CALIFORNIA PROPOSITION 65 WARNING.....	6
SETUP INSTRUCTIONS.....	6
OPERATING INSTRUCTIONS.....	7
OBTAINING SPARE PARTS.....	7
CLEANUP.....	8
DAILY MAINTENANCE.....	8
SERVICE RECORDS.....	9
WARNING LABELS AND LOCATIONS.....	10
FRAME ASSEMBLY.....	11
DRUM ASSEMBLY.....	12
SHAFT ASSEMBLY.....	13
HYDRAULIC ASSEMBLY.....	14
DRIVE ASSEMBLY.....	15
SEAL KIT.....	16
BUCHER VALVE AND CONTROL HANDLE OPTIONS.....	17
GRATE OPTIONS.....	18
GREASE FITTING LOCATION.....	19
NOTES.....	20
WARRANTY.....	21
WARRANTY REGISTRATION.....	22

INTRODUCTION

Congratulations on purchasing one of the finest pieces of masonry equipment on the market today! If this is your first EZG Manufacturing product, you will not be disappointed. If you have previously owned an EZG Manufacturing product, you will find the same high quality and dependability that you have come to expect from EZG Manufacturing.

ABOUT THIS MANUAL





The purpose of this manual is to inform the owner/employer/and the operator, how to safely operate this piece of equipment, and make them aware of any hazards. It also contains important information regarding assembly, set up, operation, and maintenance. It is the Owner/Employer's responsibility to make sure that anyone who operates this machine understands all safety warnings. If you do not understand any items in this manual, please contact the dealer where this product was purchased, or the manufacturer at the number listed throughout this manual. If you have any suggestions about how to make this manual easier to understand, contact the manufacturer. Keep this manual available for reference wherever this piece of equipment is being used and make it available to any operators.

GENERAL INFORMATION

Illustrations in this manual may show details or components that may not be the same as your machine. Continuing improvements to the design of this machine may have caused changes that are not included in this manual. The information in this document is subject to change without notice.

SAFETY INFORMATION

The following safety symbols and signal words will be used throughout this manual and on the product, for your safety and the safety of others, please become familiar with their meaning and heed their warnings.

	This symbol, either used alone or with a signal word, is used to call your attention to instructions involving your safety and/or the safety of others. Failure to follow these instructions will likely result in personal injury or death.
 DANGER	This signal word is used to identify a hazard which, if not avoided, will result in death or serious injury.
 WARNING	This signal word is used to identify a hazard which, if not avoided, could result in death or serious injury.
 CAUTION	This signal word is used to identify a hazard which, if not avoided, could result in minor or moderate injury.
NOTICE	This signal word is used to identify a hazard which, if not avoided, could result in property or equipment damage. It also may be used for special instructions related to performance, maintenance or general items.

SAFETY PRECAUTIONS



WARNING

Failure to obey the following safety instructions could result in **DEATH** or **SERIOUS INJURY**.

Read and understand entire manual before operating the Mud Hog®

For your safety and the safety of others, replace any missing or damaged warning decals by contacting the manufacturer at 1-800-417-9272.

Make sure anyone operating the Mud Hog® is thoroughly familiar with its operation. Keep all unauthorized and untrained personnel, especially children, away from Mud Hog®.

Never operate machine with safety grate, guards or safety devices removed or open. Do not alter any safety guards.

Stay clear of mixing paddles while machine is running. Keep all body parts, clothing, jewelry, and solid objects away from all moving parts.

Never perform any work on the Mud Hog® while it is running. Before working on or cleaning the Mud Hog®, shut off engine and disconnect spark plug wire.

Never operate the Mud Hog® under the influence of alcohol, drugs, or medications.

This Mud Hog® has been designed and built as a material mixing station, and should not be used for anything other than its intended purpose.

Consult forklift manufacturers specifications to insure load capacity is not exceeded.

Model	Empty Weight	Max Gross Weight
MH20	2295 lbs. (1040 kg)	5294 lbs. (2401 kg)

Do not exceed Maximum Gross Weight

Never stand under an elevated Mud Hog®.

Stay clear of moving parts while machine is in operation.

When towing, refer to vehicle manufacturers specs to ensure load capacity is not exceeded.

Always check axle, tires, and safety chains before towing Mud Hog®.

Always cross and connect safety chains before towing Mud Hog®.

Never attempt to ride the Mud Hog®.

SAFETY PRECAUTIONS



WARNINGS (*continued*)

Operate only in properly vented environments. The mixer requires a free flow of air and emits carbon monoxide gas.

Avoid breathing dust produced while using the Mud Hog®. Dust may contain crystalline silica and may cause serious health problems.

Do not operate near combustible materials.

Do not smoke around Mud Hog®.

Always know the location of nearest fire extinguishers, first aid kit, and emergency personnel phone numbers in case of emergency.



CAUTION

Failure to obey the following safety instructions could result in MINOR or MODERATE INJURY.

Inspect all hoses, fasteners, bolts and welds for nicks, cracks, cuts, damage, wear or looseness before each use. Repair as needed.

Always wear approved PPE, including glasses, hearing protection, hard hats, and ventilation masks when operating a Mud Hog®.

Do not use the Mud Hog® as a lifting device or with accessories or attachments not recommended by EZG Manufacturing, as damage to equipment or operator might result.

Avoid contact with hot hydraulic fluid.

Allow system to cool before performing any repairs or service, such as adding fuel or oil.

NOTICE

Use only factory authorized parts.

Used Lubricants such as engine and hydraulic oil, and hazardous waste must be taken to an authorized disposal or recycling center.

Consult Honda® owner's manual for engine maintenance and warnings.

California - Proposition 65 Warning

Engine exhaust and some of its constituents, and some dust created by power sanding, sawing, grinding, drilling, and other construction activities contains chemicals known to the State of California to cause cancer, birth defects and other reproductive harm. Some examples of these chemicals are:

Lead from lead based paints - Crystalline silica from bricks -Cement and other masonry products -Arsenic and chromium from chemically treated lumber

Your risk from these exposures varies, depending on how often you do this type of work. To reduce your exposure to these chemicals: ALWAYS work in a well ventilated area, and work with approved safety equipment, such as dust masks that are specially designed to filter out microscopic particles.

SETUP INSTRUCTIONS

Before operating the Mud Hog® it should be properly set up on the jobsite. The MH20 Mud Hog® weighs 2295 lbs. (1040 kg) empty and 5295 lbs. (2401 kg) full. Check forklift ratings before attempting to move the Mud Hog®. The Mud Hog® is equipped with fork pockets on all sides and can be lifted from any side.

1. Raise Mud Hog® with fork lift.
2. Fully extend the outriggers by removing the hitch pins, extend the outriggers, and reinsert hitch pins. Each outrigger has a 5/8" (1.6cm) hitch pin and a 1/4" (.6cm) lynch pin as the keeper. Make sure the lynch pin is locked into position.



WARNING

Do not operate the Mud Hog® without the outriggers fully extended to provide a stable base.

3. While raised, set the Mud Hog® to the desired height by adjusting the mixer feet. Each mixer foot allows for 1" (25.4mm) adjustment, has a 3/4" (1.9cm) hitch pin, and a hair pin as the keeper. Make sure each pin is locked into position. In the full down position, the Mud Hog® can dump into most mortar pans. Level the Mud Hog® as close as possible.
4. Verify that all mixer feet are touching the ground and that the Mud Hog® is level and cannot rock in any direction. If one of the mixer feet is not touching and cannot be adjusted to touch the ground, shim under that foot with a board to create solid footing.
5. Perform the daily maintenance as described in the "Daily Maintenance" section of this manual.
6. Check all hydraulic operations using both levers on the hydraulic control valves and the auxiliary valve handles.

OPERATING INSTRUCTIONS



WARNING

This equipment is to be operated by trained and qualified personnel over the age of 18. Death or serious injury can result.

1. Slide forks under the Mud Hog® and place in desired location.
2. Fully extend outriggers, set and level Mud Hog® securely on ground.
See Setup Instructions for proper procedure



WARNING

Outriggers MUST be in the fully extended position before operating.

3. Remove pins and adjust legs to desired height and reinsert pins.
See Setup Instructions for proper procedure



WARNING

NEVER put your hands inside mixer drum while equipment is running. Death or serious injury can result.

4. Start engine.
See engine manuals for proper procedure.
5. Fill with material, add water, and mix to desired consistency and dump.

NOTE: In the unlikely event that the mixing paddles plug, momentarily reverse the paddles.

OBTAINING SPARE PARTS

Spare parts for your Mud Hog® may be obtained by the following procedure:

1. Record the information from the serial number tag located on the frame near the hydraulic reservoir.
2. Using the parts reference table in this manual, record the part number or component.
3. Contact your local Mud Hog® dealer or EZG Manufacturing at 1-800-417-9272 with the information recorded.

CLEANUP

1. Turn off engine and disconnect spark plug wire.
2. For maximum performance, thoroughly clean inside and out at mid-day or lunch break and again at the end of each day's use. Do not allow a buildup of materials to form on the blades and seals.
3. Hose out and brush down mixing drum, then spray and brush paddles until all excess material is removed.
4. Grease the fittings and brush the face of drum seals until clean.

DAILY MAINTENANCE

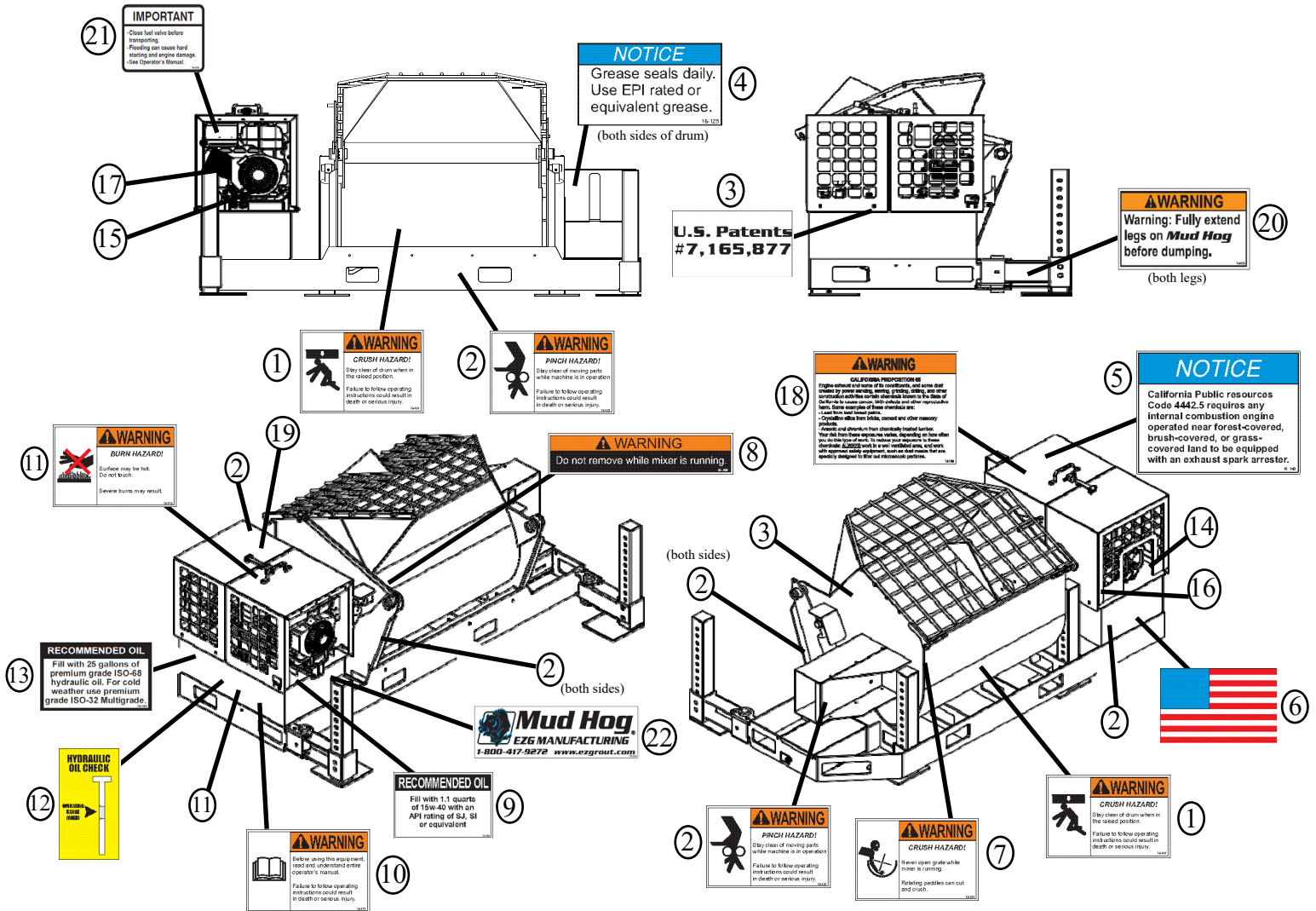


WARNING

Before performing any described maintenance items, make sure engine is turned off and spark plug wire is disconnected. Death or serious injury can result.

1. Check engine oil daily
2. For engine maintenance, refer to the engine manufacturer's manual furnished with the Mud Hog®.
3. Check and grease all grease fittings.
See Grease Fitting Location drawing in the manual for grease fitting locations.
4. Check hydraulic oil. Add as needed. Change bi-yearly or if contaminated. Change hydraulic filter monthly. Use only recommended premium grade ISO68 Heavy Duty hydraulic oil or equivalent. Do not use contaminated fluid. (Premium grade ISO32 oil may be used in colder climates.)
5. For maximum performance, thoroughly clean inside and out at mid-day or at lunch break and again at the end of each day's use. Do not allow a buildup of material to form on the blades and seals.
6. Check all hydraulic hoses and equipment for leaks. Fix any leaks before operating the Mud Hog®.
7. Check all welds and bolts. If a cracked weld is found, do not operate the Mud Hog® until repaired by qualified personnel. Tighten any loose bolts.
8. Check Paddle Shaft Seal for excessive wear. If any mortar or concrete is leaking past the seal, change seals immediately.
9. Check paddle rubbers for wear. Adjust or replace as needed.
10. Inspect all hoses and fittings for signs of damage, wear, scrapes, kinks or cracking. Replace hoses if any of these conditions are found. It is recommended to replace all hydraulic hoses every 5 years.

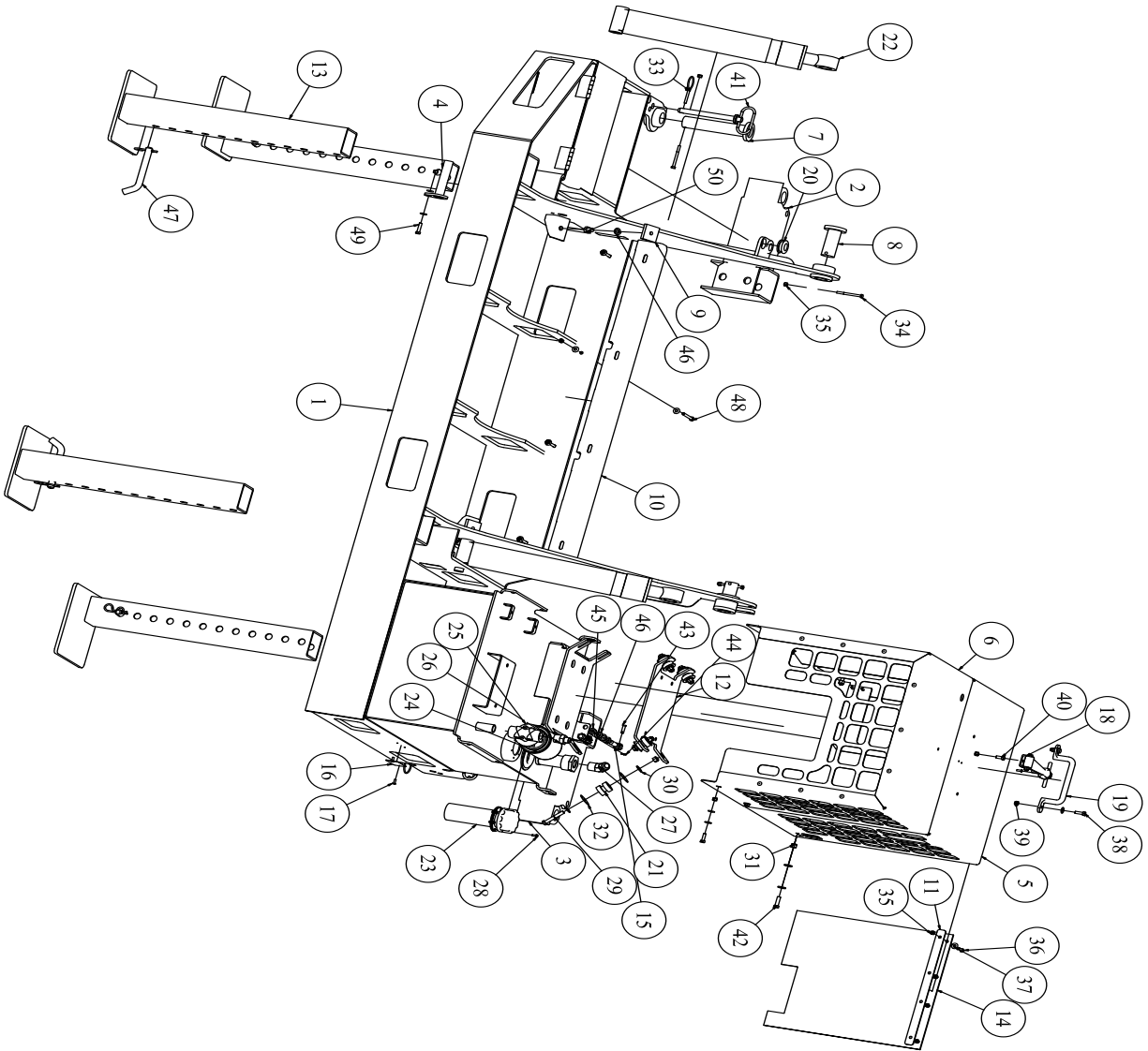
WARNING LABELS AND LOCATIONS



ITEM	PART NUMBER	DESCRIPTION	QUANTITY
A	16-209	LABEL KIT	1
1		Crush Hazard Decal	2
2		Small Pinch Point Decal	8
3		U.S. Patents Decal	2
4		Grease Seals Daily Decal	2
5		California Public Resources Decal	1
6		U.S. Flag Decal	1
7		Never Open Grate Decal	1
8		Do Not Remove Decal	1
9		Fill with 1.1 Quart Decal	1
10		Read Owners Manual Decal	1
11		Hot Surface Decal	2
12		Check Hydraulic Oil Level Decal	1
13		Fill with 25 Gallons Decal	1
14		Push to Lower/Pull to Dump Decal	1
15		Push for Forward/Pull Reverse Decal	1
16		Push for Reverse/Pull Forward Decal	1
17		Push to Dump/Pull to Lower Decal	1
18		Proposition 65 Decal	1
19		E-STOP	1
20		Fully Extend Legs Decal	2
21		Close Fuel Valve Decal	1
22		Mud Hog Decal	1

FRAME ASSEMBLY

MH20 Mud Hog® - Frame Assembly

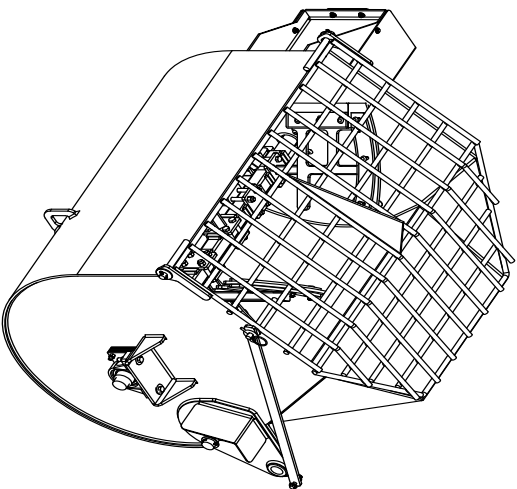
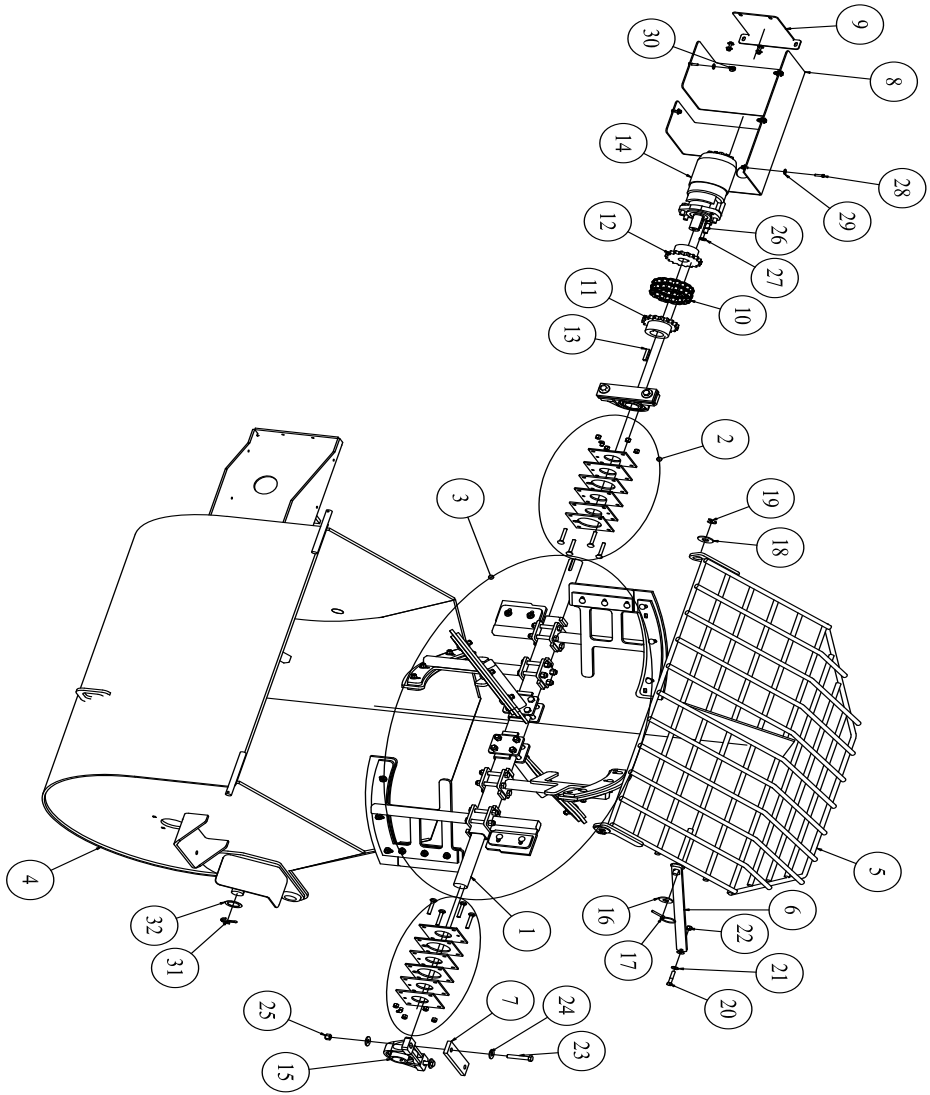


ITEM NUMBER	QTY	PART NUMBER	DESCRIPTION
1	1	MH-A-89	MH20 Frame (Flat Plate Design)
2	1	MH-A-94	MH20 Outrigger Assembly (Tool Box Side)
3	1	MH-A-93	MH20 Outrigger Assembly (Engine Side)
4	2	MH-A-84	MH12/20 Lower Cylinder Pin
5	1	MH-A-83	MH20 Engine Hood (Hinged)
6	1	MH-A-75	MH20 Engine Hood (Fixed-Half)
7	2	MH-A-15	MH20 Outrigger Pin Assembly
8	2	MH-A-74	Mud Hog-Trunion Pins (each)
9	2	MH-539-1	Drum Rest 3/8" x 2"
10	1	MH-178	MH20 Hydraulic Hose Cover
11	1	MH-151	Mud Hog-Vinyl Cover Mount Bar
12	1	MH12-8	MH12-Mud Hog Engine Isolation Plate
13	1	MH-A-19	MH20/14 Leg Kit 27 1/2", 4 Legs
14	1	MH-184	MH20 Vinyl Engine Cover
15	2	20-153	Clevis Rod End 5/16" ID x 2 1/2" L
16	1	20-126	Blank Metal Plates
17	4	20-105	Rivets for Name Plates
18	1	20-103	Hood Hold Down Strap Complete Kit
19	1	20-100	Grab Handle GH Discharge, MH9, MH12, MH20
20	2	13-127	MH12-MH20 Hose Holder Grommet
21	4	02-803	2-Piece Vibration Mount Neoprene
22	2	02-701	Hydraulic Cylinder 3" Bore x 16" Stroke
23	1	02-318	Hydraulic Fill Cap Assembly
24	1	02-316	Hydraulic Filter
25	1	02-315	Filter Head 3/4" NPT
26	1	02-204	1/2" JICM to 3/4" NPTM Adaptor
27	1	02-278	3/4" JICM to 3/4" NPTM 45 DEG Adaptor
28	6	09-352	#10-32 x 1/2" Thread Cutting Screw Type F
29	4	09-314	3/8"-16 x 2 1/2" GR5 Bolt
30	12	09-105	5/16" Flat Washer
31	6	09-204	3/8"-16 Nylon Nut
32	8	09-114	3/8" x 1 1/2" Fender Washer
33	2	09-400	1/4" Linch Pins
34	4	09-388	1/4"-20 x 3" GR8 Bolt
35	8	09-200	1/4"-20 Nylon Nut
36	4	09-301	1/4"-20 x 1" GR5 All Thread Bolt
37	26	09-104	1/4" Flat Washer
38	6	09-342	5/16"-18 x 1" GR5 Bolt
39	13	09-202	5/16"-18 Nylon Nut
40	1	09-341	5/16"-18 x 3/4" GR5 Bolt
41	2	09-403	5/8" x 6 1/4" Hitch Pins
42	2	09-310	3/8"-16 1 1/4" GR5 Bolt
43	2	09-427	Clevis Pin 5/16" x 1"
44	2	09-426	Colter Pin 1/8" x 3/4"
45	4	09-221	1/2"-20 Hex Nut
46	6	09-103	1/2" Lock Washer
47	4	09-425	10332 Bent Pin 3/4" x 4 1/2"
48	4	09-306	5/16"-18 x 3" GR5 Bolt
49	2	09-368	5/16"-18 x 1 1/4" GR5 Bolt
50	2	09-376	1/2"-13 x 3/4" GR5 Bolt

PARTS LIST

DRUM ASSEMBLY

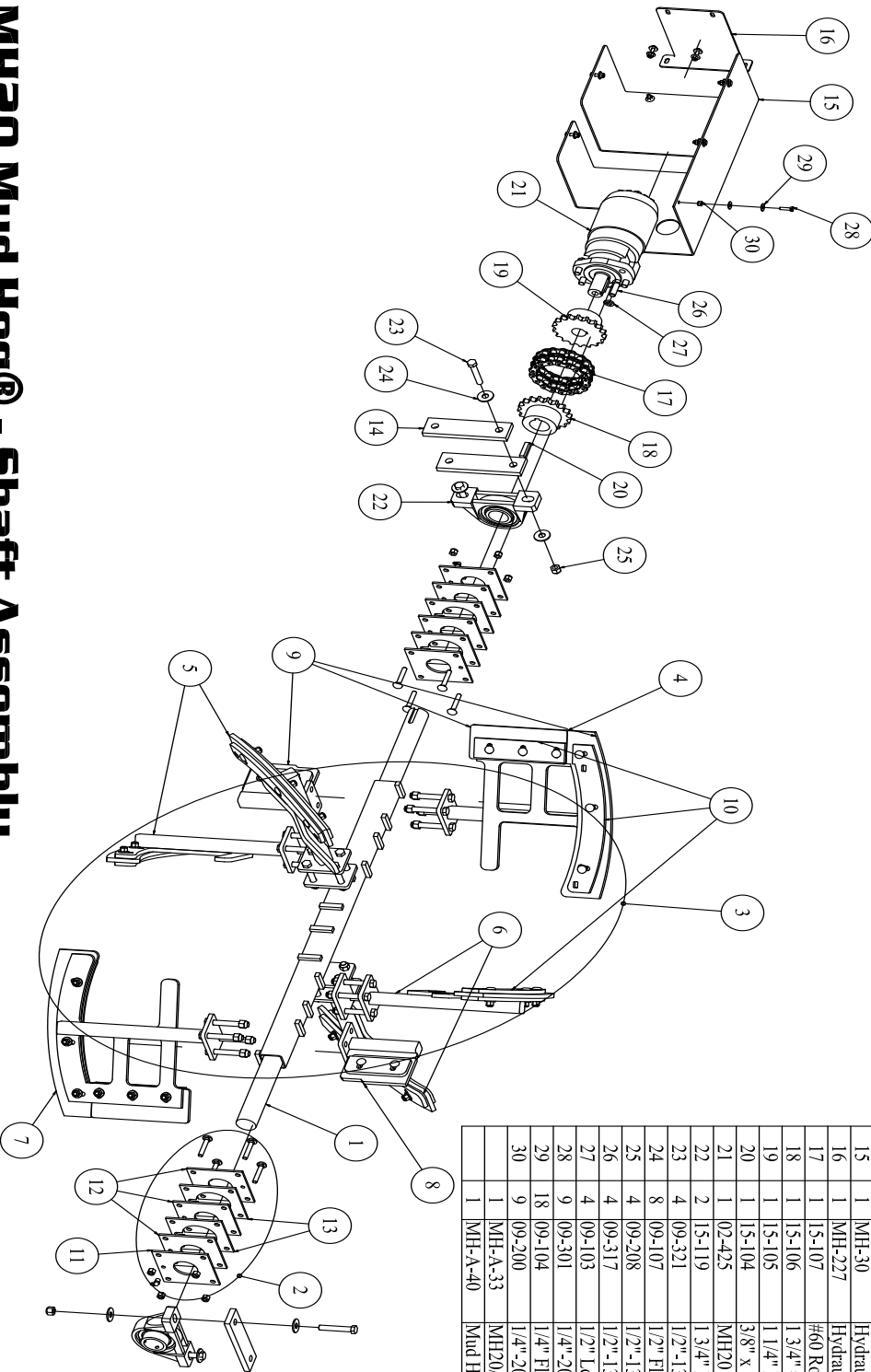
MH20 Mud Hog® - Drum Assembly



PARTS LIST		
ITEM NUMBER	QTY	DESCRIPTION
1	1	MH-A-59
2	1	MH-A-38
3	1	MH-A-37
4	1	MH-A-22
5	1	MH-A-12
6	1	MH-86
7	3	MH-62
8	1	MH-30
9	1	MH-227
10	1	15-107
11	1	15-106
12	1	15-105
13	1	15-104
14	1	02-425
15	2	15-119
16	2	09-109
17	1	09-400
18	2	09-111
19	2	09-337
20	1	09-356
21	3	09-105
22	1	09-204
23	4	09-521
24	8	09-107
25	4	09-208
26	4	09-317
27	4	09-103
28	9	09-301
29	18	09-104
30	9	09-200
31	2	09-406
32	2	09-117-P

SHAFT ASSEMBLY

MH20 Mud Hog® - Shaft Assembly

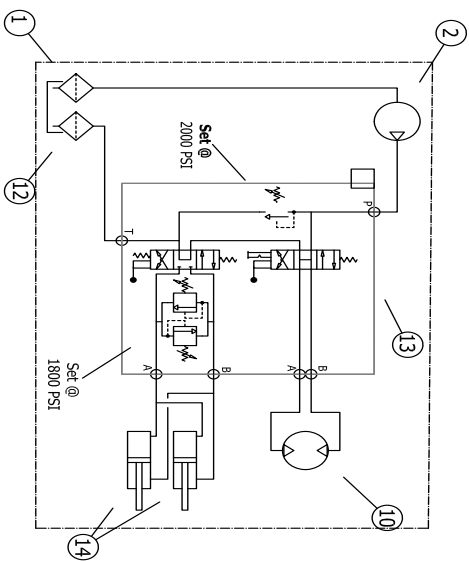
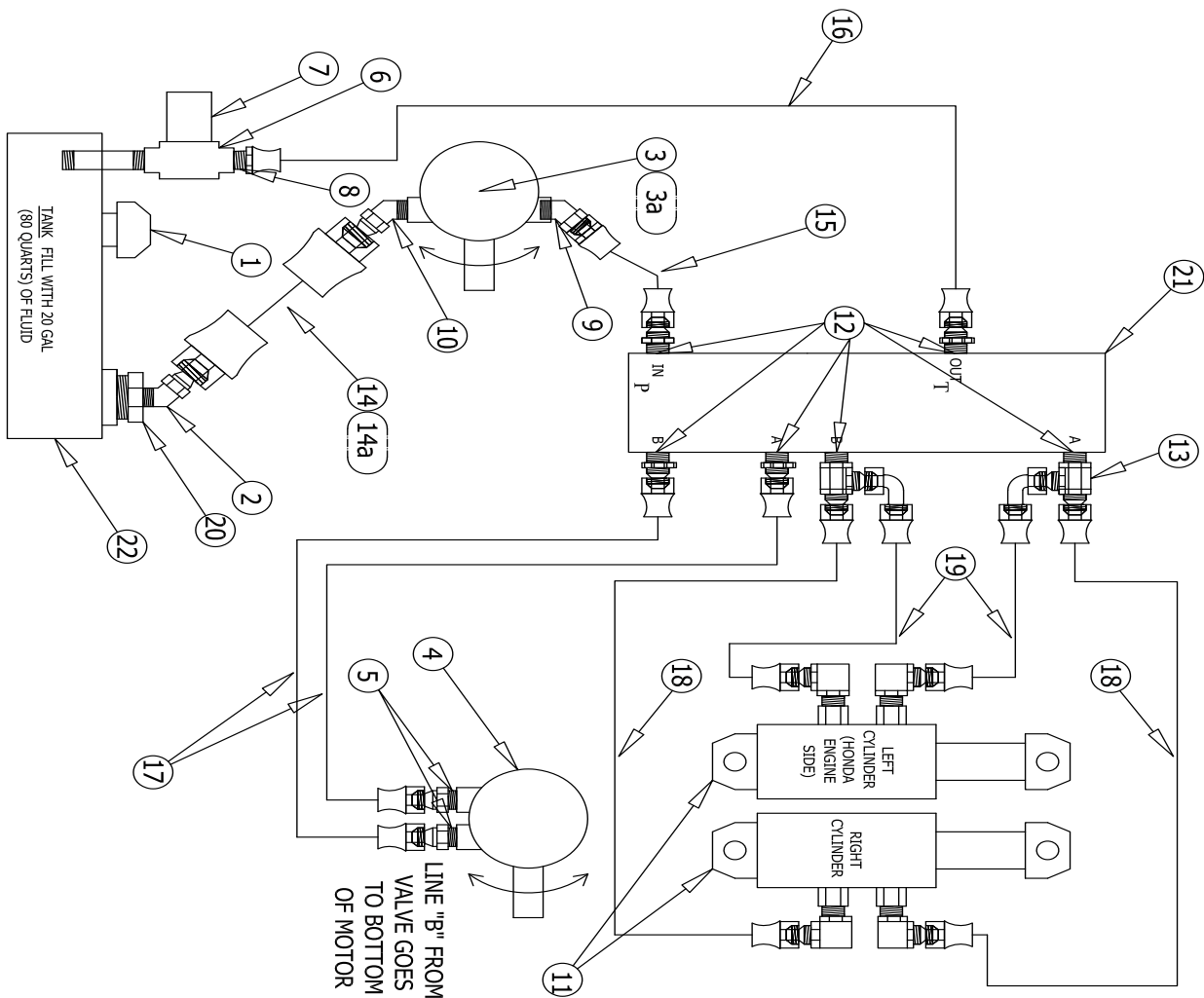


ITEM NUMBER	QTY	PART NUMBER	DESCRIPTION
1	1	MH-A-59	MH20 Paddle Shaft Assembly
2	1	MH-A-38	MH Paddle Shaft Seal Kit-Includes 2(MH-40), 6 (13-113), 4 (MH-36)
3	1	MH-A-37	MH20 Paddle Kit (Everything but Shaft)
4	1	MH-A-26	MH20 Drive End Outer Paddle (Kit)
5	2	MH-A-27	MH20 Drive End Center Paddle (Kit)
6	2	MH-A-28	MH20 Bearing End Center Paddle (Kit)
7	1	MH-A-29	MH20 Bearing End Outer Paddle (Kit)
8	2	MH-A-30	MH20 Cleaner Paddle (Kit)
9	1	MH-A-63	MH20/14 Paddle Rubber Kit (With Bolts)
10	1	MH-A-67	MH20/14 Paddle Cover Kit (No Bolts)
11	2	MH-A-40	Shaft Seal Outer Plate w/90 Deg Grease Fitting
12	6	13-113	Mud Hog Shaft Seal Urethane
13	4	MH-36	Shaft Seal Inner Plate
14	3	MH-62	MH9/12/20 Shaft Bearing Shim
15	1	MH-30	Hydraulic Motor Chain Guard
16	1	MH-227	Hydraulic Motor Guard (End)
17	1	15-107	#60 Roller Chain (MH Coupling)
18	1	15-106	1 3/4" #60 Shaft Half Coupler
19	1	15-105	1 1/4" Motor Half Coupler w/8mm Key 6018Z
20	1	15-104	3/8" x 1 3/4" Machined Key(MH Shaft Key)
21	1	02-425	MH20 Parker Hydraulic Motor
22	2	15-119	1 3/4" Pillow Block Bearing
23	4	09-321	1/2"-13 x 3" GR5 Bolt
24	8	09-107	1/2" Flat Washer
25	4	09-208	1/2"-13 Nylon Nut
26	4	09-317	1/2"-13 x 1 1/2" GR5 Bolt
27	4	09-103	1/2" Lock Washer
28	9	09-301	1/4" 20 x 1" GR5 All Thread Bolt
29	18	09-104	1/4" Flat Washer
30	9	09-200	1/4" 20 Nylon Nut
1	1	MH-A-33	MH20/14-Paddle Bolt Kit
1	1	MH-A-40	Mud Hog-Paddle Rubber Bolt Kit

PARTS LIST

HYDRAULIC ASSEMBLY

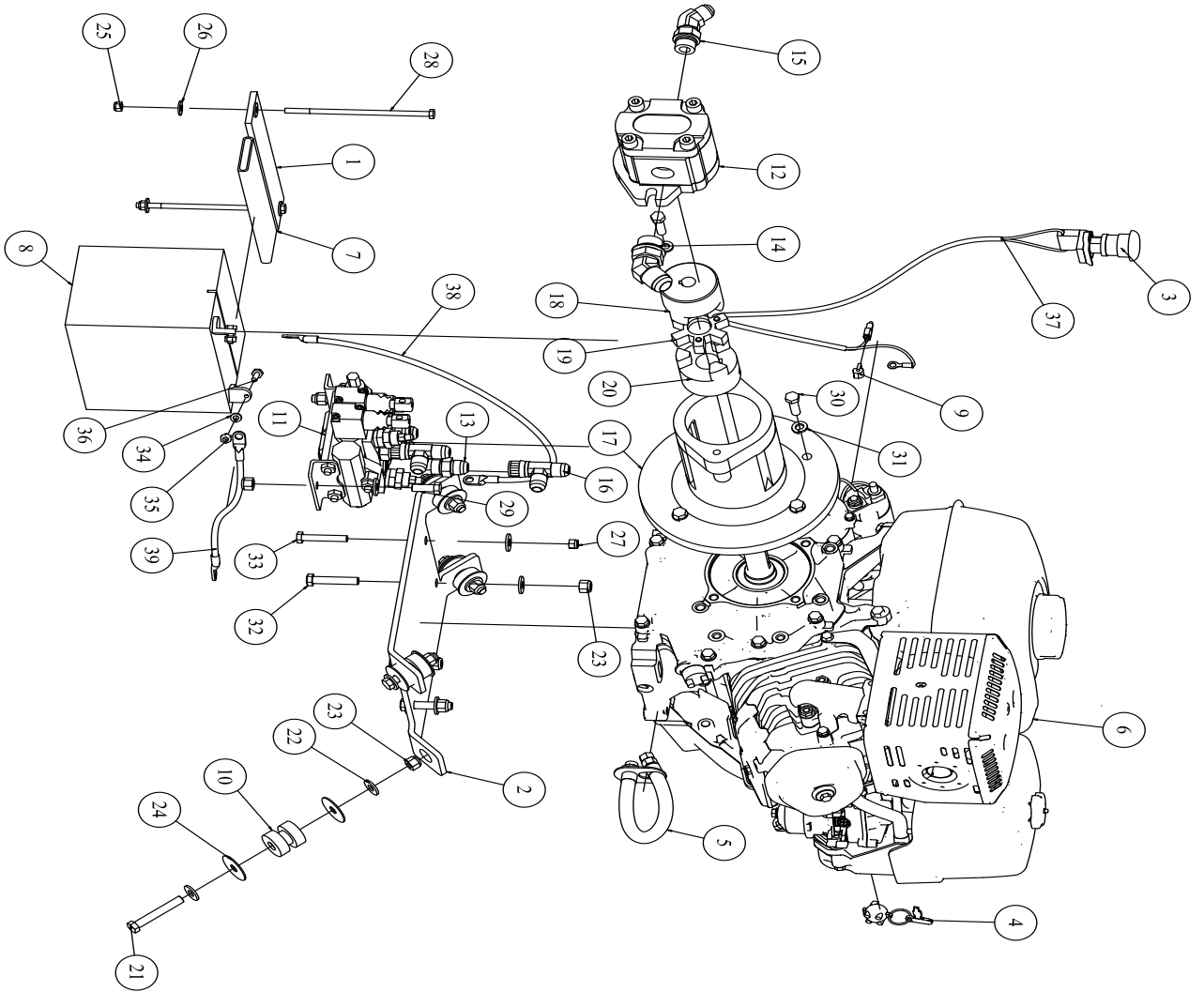
MH20 Mud Hog® - Hydraulic Schematic



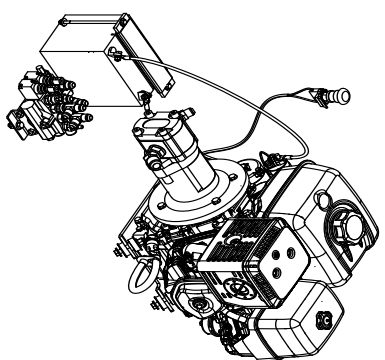
ITEM NUMBER	QTY	PART NUMBER	DESCRIPTION
1	1	02-318	Hydraulic Fill Cap Assembly
2	1	02-278	3/4" JICM to 3/4" NPTM 45 DEG Adaptor
3	1	02-517	DFC-GP-F20-08-P-C Gear Pump MH20/RMH12
3a	1	02-515	DFC-GP-F20-10-P-C Gear Pump GPH/CGPH
4	1	02-425	MH12 Parker Hydraulic Motor
5	2	02-256	1/2" JICM to 5/8" ORM Adaptor
6	1	02-315	Filter Head 3/4" NPT
7	1	02-316	Hydraulic Filter
8	1	02-204	1/2" JICM to 3/4" NPTM Adaptor
9	1	02-279	1/2" JICM to 5/8" ORM 90 Adaptor
10	1	02-259	3/4" JICM to 3/4" ORM 45 DEG Adaptor
11	2	02-701	Hydraulic Cylinder 3" Bore x 16" Stroke
12	6	02-255	1/2" JICM to 1/2" ORM Adaptor
13	2	02-205	1/2" MJ x 1/2" FI x 1/2" MJ Swivel Nut Tee
14	1	MH-A-77	MH12 Hose Assembly (T to P)
14a	1	MH-A-91	MH12 Hose Assembly (T to P)(Electric)
15	1	MH-A-78	Hose Assembly (P to V)
16	1	MH-A-80	MH12 Hose Assembly (V to T)
17	2	MH-A-79	MH12 Hose Assembly (V to M)
18	2	MH-A-82	MH12 Hose Assembly (V to RC)
19	2	MH-A-81	MH12 Hose Assembly (V to LC)
20	1	02-302	Suction Strainer 1 1/2" NPT to 3/4" NPT
21	1	02-665	Bucher L-100 Valve Assembly
22	1	MH-A-47	MH12-Hydraulic Tank Assembly (Welded)

DRIVE ASSEMBLY

MH20 Mud Hog® - Drive Assembly

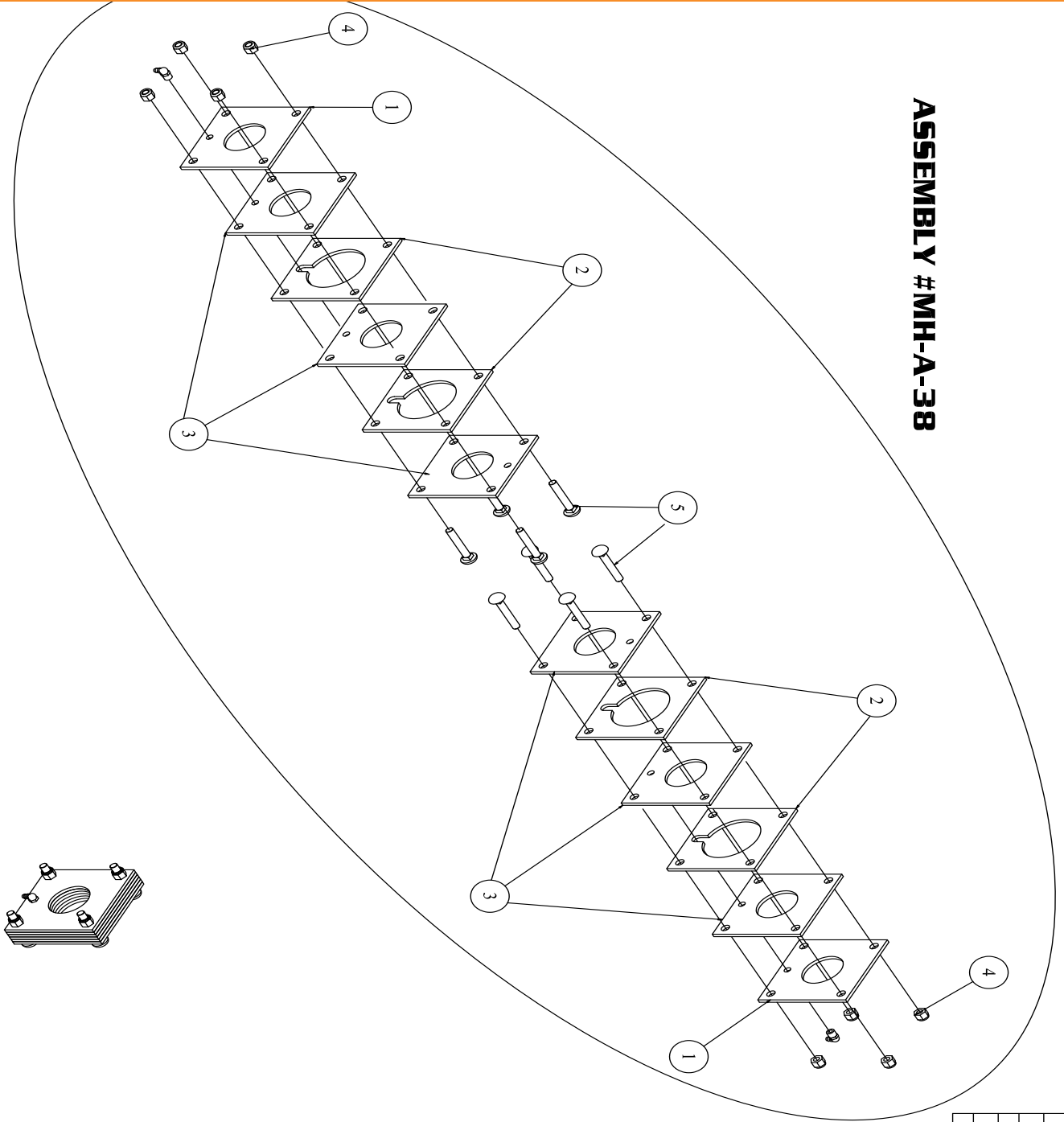


ITEM	QTY	PART NUMBER	DESCRIPTION
1	1	MH-61	MH12/20 Battery Hold Down
2	1	MH12-8	MH12 Mud Hog-Engine Isolation Plate
3	1	ESTOP-A-1	ESTOP Switch Assembly
4	1	20-152	EZ-GROUT Coporation Keychain-HOG
5	1	20-120	Model # HON 1412 Drainzint
6	1	14-103	GX390UT20AE2 Honda Engine (3 AMP)
7	1	12-115	1.5 Blue Layflat Water Discharge Hose
8	1	03-177	Deka Trac 225 Battery
9	1	03-547	952X 3M Connector-50 per pkg
10	4	02-803	2-Piece Vibration Mount Neoprene
11	1	02-665	I100 Series Butcher Valve
12	1	02-517	DFC-GP-F20-08-P-C Gear Pump MH20-RMH12
13	6	02-255	1/2" JICM to 1/2" ORM Adaptor
14	1	02-259	3/4" JICM to 3/4" ORM 45 DEG Adaptor
15	1	02-279	1/2" JICM to 5/8" ORM 90 Adaptor
16	2	02-205	6602-08-08-08-4 Swivel Nut Run Tee
17	1	02-514	Pump Adaptor-All MH, GPH, & UGPH
18	1	15-101	Maska 5/8" Bore Coupling
19	1	15-118	Elastomeric Coupling Spider
20	1	15-102	Maska 1" Bore Coupling
21	4	09-314	3/8"-16 x 2 1/2" GR5 Bolt
22	18	09-105	5/16" Flat Washer
23	9	09-204	3/8"-16 Nylon Nut
24	8	09-114	3/8" x 1 1/2" Fender Washer
25	2	09-200	1/4"-20 Nylon Nut
26	4	09-104	1/4" Flat Washer
27	1	09-202	5/16"-18 Nylon Nut
28	2	09-389	1/4"-20 x 6 1/2" GR2 Bolt
29	2	09-307	3/8"-16 x 1 1/4" GR5 Bolt
30	6	09-310	3/8"-16 x 1 1/4" GR5 Bolt
31	6	09-102	3/8" Lock Washer
32	3	09-312	3/8"-16 x 2" GR3 Bolt
33	1	09-305	5/16"-18 x 2" GR5 Bolt
34	2	09-100	1/4" Lock Washer
35	2	09-201	1/4"-20 Nut
36	2	09-322	1/4"-20 x 3/4" GR5 Bolt
37	1	ESTOP-A-2	ESTOP Wire Harness (MH12/MH20)
38	1	MH-A-86	MH12/20 Positive Battery Cable 28"
39	1	MH-A-85	MH12/20 Negative Battery Cable 18"



SEAL KIT

ASSEMBLY #MH-A-38

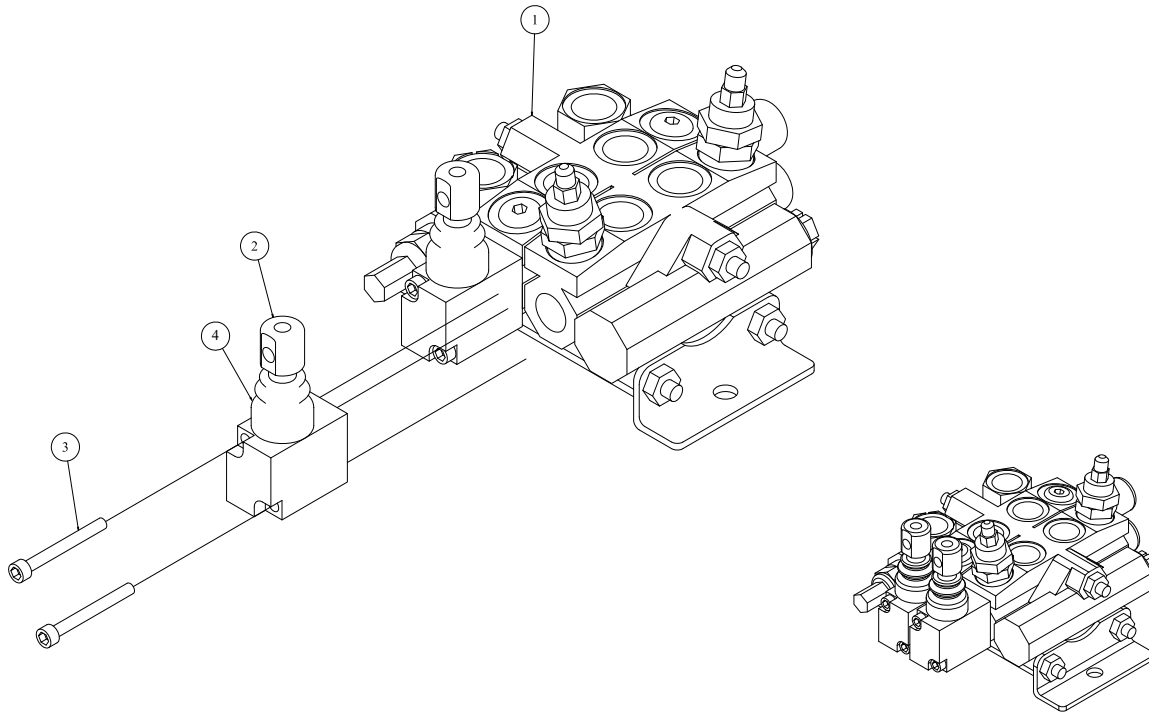


PARTS LIST			
ITEM	QTY	PART NUMBER	DESCRIPTION
1	2	MH-40	Shaft Seal Outer Plate
2	4	MH-36	Shaft Seal Inner Plate
3	6	13-113	Mud Hog Shaft Seal Urethane
4	8	09-204	3/8"-16 Nylon Nut
5	8	09-313	3/8"-16 x 2 1/4" Carriage Bolt

MH20 Mud Hog® - Shaft Seal Kit

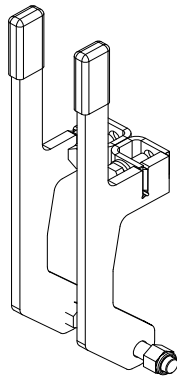
BUCHER VALVE AND CONTROL HANDLE OPTIONS

PARTS LIST			
ITEM	QTY	PART NUMBER	DESCRIPTION
1	1	02-665-20-F	L100 Series Bucher Valve
2	2	02-691	Bucher Valve Cap L100 Series
3	4	02-692	Screw for L100 Valve Cap
4	2	02-6006	Rubber Boot for L100 Series Bucher Valve

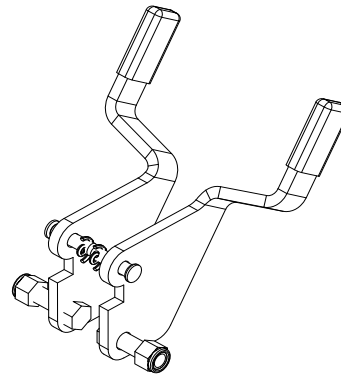


MH20 Mud Hog® - Bucher Valve

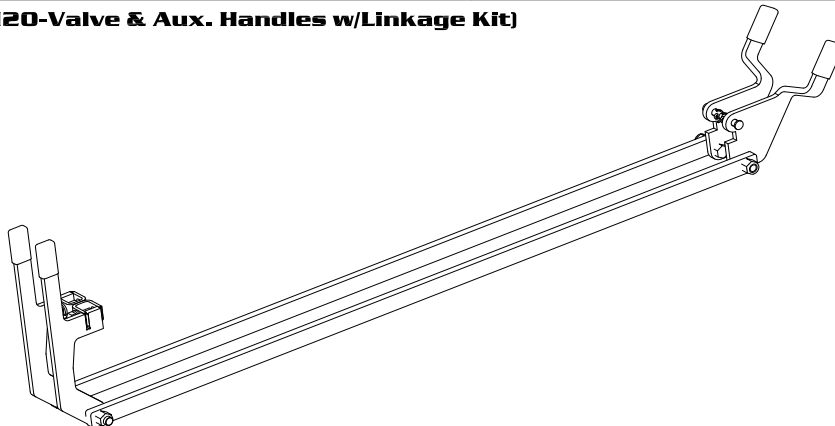
MH-A-105 (MH20 Control Valve Handle Kit)



MH-A-88-F (MH20-Aux. Control Handle Kit, Flat Frame)

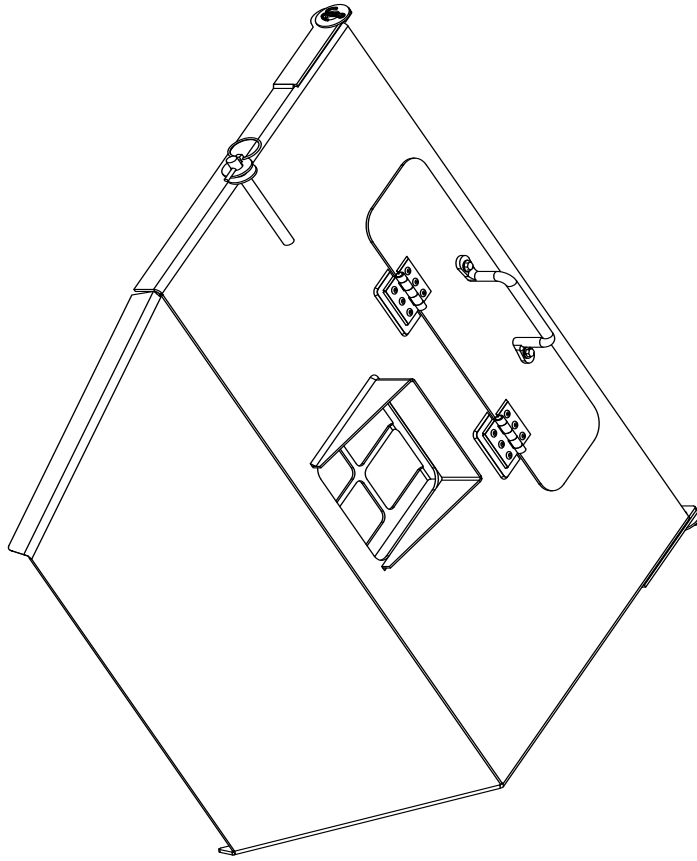


MH-A-107 (MH20-Valve & Aux. Handles w/Linkage Kit)

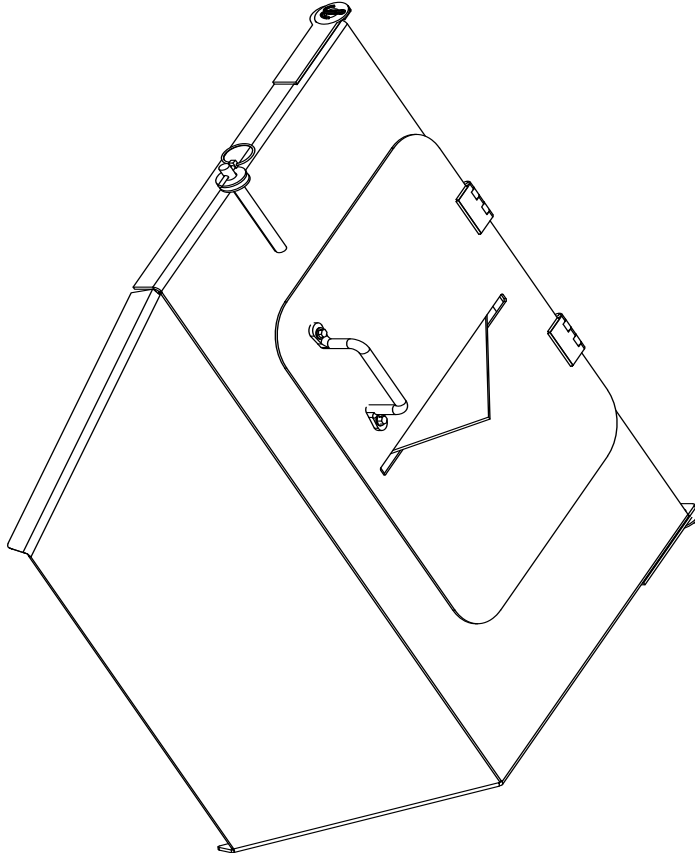


GRATE OPTIONS

**MH-A-69 (MH20-Solid Grating-Silo)
(Serial 269+)**



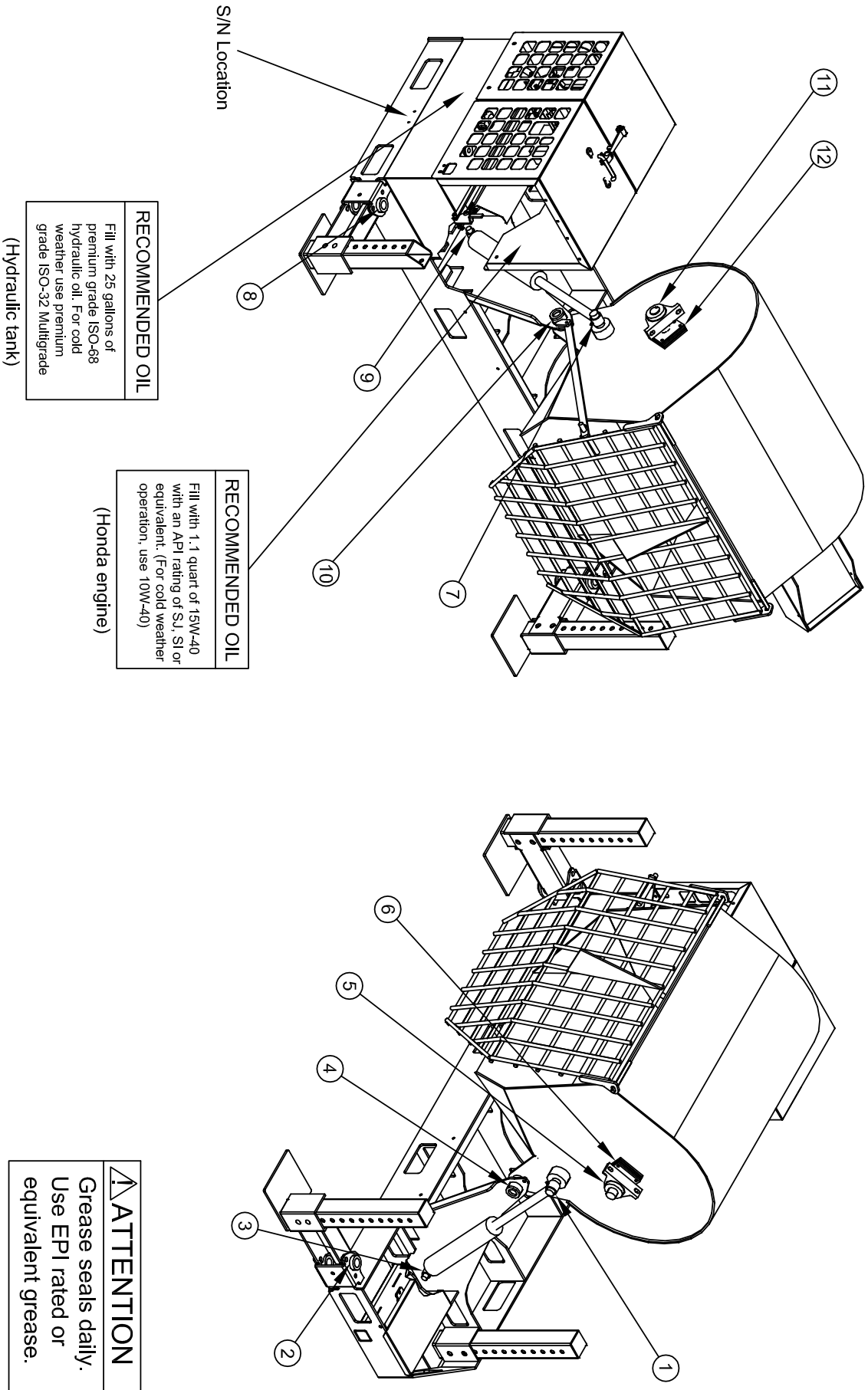
**MH-A-13 (MH20-Bag Ripper Solid Grate Assembly)
(Serial 269+)**



MH20 Mud Hog® - Grate Options

GREASE FITTING LOCATION

Check ALL grease fitting locations DAILY. Grease as needed.



MH20 Mud Hog® - GREASE FITTING LOCATION

WARRANTY

Limited Warranty

The manufacturer warrants that products manufactured shall be free from defects in material and workmanship that develop under normal use for a period of one year on all products from the date of shipment. The foregoing shall be the exclusive remedy of the buyer and the exclusive liability of the manufacturer. Our warranty excludes normal replaceable wear items, i.e. gaskets, wear parts, seals, O-rings, belts, drive chains, clutches, etc. Any equipment, part or product which is furnished by the manufacturer but manufactured by another, bears only the warranty given by such other manufacturer. (Manufacturer agrees to furnish free of charge a written description of problem or cause.) Warranty is voided by product abuse, alterations, use of equipment in applications for which it was not intended, use of non-manufacturer parts, or failure to follow documented service instructions. The foregoing warranty is exclusive of all other warranties whether written or oral, expressed or implied. No warranty of merchantability or fitness for a particular purpose shall apply. The agents, dealers, and employees of Manufacturer are not authorized to make modifications to this warranty, or additional warranties binding on the Manufacturer. Therefore, additional statements, whether oral or written, do not constitute warranty and should not be relied upon.

The Manufacturer's sole responsibility for any breach of the foregoing warranty provisions, with respect to any product or part not conforming to the Warranty or the description herein contained, is at its option (a) to repair, replace, or refund such product or parts upon the prepaid return thereof to location designated specifically by the Manufacturer. Product returns not shipped prepaid will be refused (b) as an alternative to the foregoing modes of settlement - the Manufacturer's dealer may repair defective units with reimbursement for expenses. A written description of problem or cause must accompany all warranty claims.

Except as set forth here in above and without limitation of the above, there are no warranties or other affirmation which extend beyond the description of the products on the fact here of, or as to operational efficiency, product reliability, or maintainability or compatibility with products furnished by others. In no event, whether as a result of breach of contract or warranty or alleged negligence, shall the Manufacturer, be liable for special or consequential damages including but not limited to: Loss of profits or revenue, loss of use of the product or any associated product, cost of capital, cost of substitute products, facilities or services or claims of customers. Manufacturer does not assume responsibility for any accident due to equipment modification.

No claim will be allowed for products lost or damaged in transit. Such claims should be filed with the carrier within fifteen days.

Effective July 20, 2005

EZG Manufacturing is the exclusive manufacturer of the patented Grout Hog® Grout Delivery System the Mud Hog® Hydraulic Mixing Station, the Hog Trough® mud pan, the Hog Cart™, the Hog Slopper™, the Booger Hog® Wall Scrubber, the Hog Leg® Wall Brace System, and the Hog Crusher™ Material Recycling System.

WARRANTY REGISTRATION

Contact:

Company:

Address:

City:

State:

Zip:

Tel:

Fax:

Cell:

Email:

Purchased From:

Direct Distributor:

Purchase Date:

Serial No.

**Fax Warranty Registration form to 740.962.2037
or submit online at www.ezgmfg.com by clicking
on “Products” then “Warranty Cards”.**

PLEASE COMPLETE THIS WARRANTY CARD, AND RETURN
VIA MAIL, FAX, OR E-MAIL, WITHIN 30 DAYS OF PURCHASE
TO VALIDATE YOUR MANUFACTURER’S WARRANTY
FOR ALL EZG MANUFACTURING PRODUCTS.
WARRANTY PROVISIONS OF THIS MACHINE ARE HANDLED
DIRECTLY THROUGH THE MANUFACTURER.

EZG MANUFACTURING * 1833 North Riverview Road, Malta, OH 43758
PHONE 1-800-417-9272 * Email: warranty@ezgmfg.com * FAX 740-962-2037

EZ SURVEY

Please take a minute to fill out the survey below so that we can better serve our customers.

1. Where did you first hear about EZG Manufacturing?
(check one)

Masonry Magazine Website Newsletter

Masonry Construction Referral

Other:

2. What influenced you to buy?

Quality Price Easy to use Other

3. Who is your sales representative?

4. Are you satisfied with the customer service you received?

Yes No

Explain:

5. What other EZG Manufacturing products do you own?

6. Would you like to be featured in our newsletter?

Yes No

If yes, where can we reach you and what is the best time?

Comments: