



Before using this Mud Hog®, study and understand the entire Owner's Manual.

Serial Number \_\_\_\_\_



**MH12 12ft<sup>3</sup>(0.34m<sup>3</sup>)  
Mud Hog®  
Mixing Station  
Owner's Manual**



**Mud Hog®**  
**EZG MANUFACTURING**  
**1-800-417-9272**

*EZG Manufacturing*

*1-800-417-9272*

*www.ezgmfg.com*

**EZG Manufacturing**  
**405 Watertown Road**  
**Waterford, Ohio 45786**

**(740) 749-3512 or 1-800-417-9272**  
**Fax (740) 962-2037** **www.ezgmfg.com**

*Revision Number-013 02/22/2022-Present 1*

# TABLE OF CONTENTS

INTRODUCTION.....	3
ABOUT THIS MANUAL.....	3
GENERAL INFORMATION.....	3
SAFETY INFORMATION.....	3
SAFETY PRECAUTIONS.....	4-5
CALIFORNIA PROPOSITION 65 WARNING.....	6
SETUP INSTRUCTIONS.....	6
OPERATING INSTRUCTIONS.....	7
OBTAINING SPARE PARTS.....	7
CLEANUP.....	8
DAILY MAINTENANCE.....	8
WARNING LABELS AND LOCATIONS.....	9
FRAME ASSEMBLY.....	10
DRUM ASSEMBLY.....	11
SHAFT ASSEMBLY.....	12
HYDRAULIC ASSEMBLY.....	13
DRIVE ASSEMBLY.....	14
SEAL KIT.....	15
BUCHER VALVE AND CONTROL HANDLE OPTIONS.....	16
GREASE FITTING LOCATION.....	17
NOTES / SERVICE RECORDS.....	18
WARRANTY.....	19
WARRANTY REGISTRATION.....	20

# INTRODUCTION

Congratulations on purchasing one of the finest pieces of masonry equipment on the market today! If this is your first EZG Manufacturing product, you will not be disappointed. If you have previously owned an EZG Manufacturing product, you will find the same high quality and dependability that you have come to expect from EZG Manufacturing.

## ABOUT THIS MANUAL





The purpose of this manual is to inform the owner/employer/and the operator, how to safely operate this piece of equipment, and make them aware of any hazards. It also contains important information regarding assembly, set up, operation, and maintenance. It is the Owner/Employer's responsibility to make sure that anyone who operates this machine understands all safety warnings. If you do not understand any items in this manual, please contact the dealer where this product was purchased, or the manufacturer at the number listed throughout this manual. If you have any suggestions about how to make this manual easier to understand, contact the manufacturer. Keep this manual available for reference wherever this piece of equipment is being used and make it available to any operators.

## GENERAL INFORMATION

Illustrations in this manual may show details or components that may not be the same as your machine. Continuing improvements to the design of this machine may have caused changes that are not included in this manual. The information in this document is subject to change without notice.

## SAFETY INFORMATION

The following safety symbols and signal words will be used throughout this manual and on the product, for your safety and the safety of others, please become familiar with their meaning and heed their warnings.

	<b>This symbol, either used alone or with a signal word, is used to call your attention to instructions involving your safety and/or the safety of others. Failure to follow these instructions will likely result in personal injury or death.</b>
 <b>DANGER</b>	<b>This signal word is used to identify a hazard which, if not avoided, will result in death or serious injury.</b>
 <b>WARNING</b>	<b>This signal word is used to identify a hazard which, if not avoided, could result in death or serious injury.</b>
 <b>CAUTION</b>	<b>This signal word is used to identify a hazard which, if not avoided, could result in minor or moderate injury.</b>
<b>NOTICE</b>	<b>This signal word is used to identify a hazard which, if not avoided, could result in property or equipment damage. It also may be used for special instructions related to performance, maintenance or general items.</b>

# SAFETY PRECAUTIONS



## WARNING

Failure to obey the following safety instructions could result in **DEATH** or **SERIOUS INJURY**.

Read and understand entire manual before operating the Mud Hog®

For your safety and the safety of others, replace any missing or damaged warning decals by contacting the manufacturer at 1-800-417-9272.

Make sure anyone operating the Mud Hog® is thoroughly familiar with its operation. Keep all unauthorized and untrained personnel, especially children, away from Mud Hog®.

Never operate machine with safety grate, guards or safety devices removed or open. Do not alter any safety guards.

Stay clear of mixing paddles while machine is running. Keep all body parts, clothing, jewelry, and solid objects away from all moving parts.

Never perform any work on the Mud Hog® while it is running. Before working on or cleaning the Mud Hog®, shut off engine and disconnect spark plug wire.

Never operate the Mud Hog® under the influence of alcohol, drugs, or medications.

This Mud Hog® has been designed and built as a material mixing station, and should not be used for anything other than its intended purpose.

Consult forklift manufacturers specifications to insure load capacity is not exceeded.

Model	Empty Weight	Max Gross Weight
MH12	1695 lbs. (768.8kg)	3695 lbs. (1676 kg)

Do not exceed Maximum Gross Weight

Never stand under an elevated Mud Hog®.

Stay clear of moving parts while machine is in operation.

When towing, refer to vehicle manufacturers specs to ensure load capacity is not exceeded.

Always check axle, tires, and safety chains before towing Mud Hog®.

Always cross and connect safety chains before towing Mud Hog®.

Never attempt to ride the Mud Hog®.

# SAFETY PRECAUTIONS



## **WARNINGS** (*continued*)

Operate only in properly vented environments. The mixer requires a free flow of air and emits carbon monoxide gas.

Avoid breathing dust produced while using the Mud Hog®. Dust may contain crystalline silica and may cause serious health problems.

Do not operate near combustible materials.

Do not smoke around Mud Hog®.

Always know the location of nearest fire extinguishers, first aid kit, and emergency personnel phone numbers in case of emergency.



## **CAUTION**

**Failure to obey the following safety instructions could result in MINOR or MODERATE INJURY.**

Inspect all hoses, fasteners, bolts and welds for nicks, cracks, cuts, damage, wear or looseness before each use. Repair as needed.

Always wear approved PPE, including glasses, hearing protection, hard hats, and ventilation masks when operating a Mud Hog®.

Do not use the Mud Hog® as a lifting device or with accessories or attachments not recommended by EZG Manufacturing, as damage to equipment or operator might result.

Avoid contact with hot hydraulic fluid.

Allow system to cool before performing any repairs or service, such as adding fuel or oil.

## **NOTICE**

Use only factory authorized parts.

Used Lubricants such as engine and hydraulic oil, and hazardous waste must be taken to an authorized disposal or recycling center.

Consult Honda® owner's manual for engine maintenance and warnings.

## California - Proposition 65 Warning

Engine exhaust and some of its constituents, and some dust created by power sanding, sawing, grinding, drilling, and other construction activities contains chemicals known to the State of California to cause cancer, birth defects and other reproductive harm. Some examples of these chemicals are:

Lead from lead based paints - Crystalline silica from bricks -Cement and other masonry products -Arsenic and chromium from chemically treated lumber

Your risk from these exposures varies, depending on how often you do this type of work. To reduce your exposure to these chemicals: ALWAYS work in a well ventilated area, and work with approved safety equipment, such as dust masks that are specially designed to filter out microscopic particles.

## SETUP INSTRUCTIONS

Before operating the Mud Hog® it should be properly set up on the jobsite. The Mud Hog® may be lifted by using a forklift. The MH12 weighs 1695 lbs.(768.8kg) empty and 3695lbs.(1676.0kg) full. Check forklift ratings before attempting to move the Mud Hog®.

1. Raise Mud Hog® with fork lift.
2. While raised, set the Mud Hog® to the desired height by adjusting the mixer feet. Each mixer foot allows for 1" (25.4mm) adjustment, has a 5/8" (15.8mm) hitch pin, and a hair pin as the keeper. Make sure each pin is locked into position. In the full down position, the Mud Hog® can dump into most mortar pans. Level the Mud Hog® as close as possible
3. Verify that all mixer feet are touching the ground and that the Mud Hog® is level and cannot rock in any direction. If one of the mixer feet is not touching and cannot be adjusted to touch the ground, shim under that foot with a board to create solid footing.
4. Perform the daily maintenance as described in the "Daily Maintenance" section of this manual.
5. Check all hydraulic operations using both levers on the hydraulic control valve.

# OPERATING INSTRUCTIONS



## WARNING

**This equipment is to be operated by trained and qualified personnel over the age of 18. Death or serious injury can result.**

1. Slide forks under the Mud Hog® and place in desired location.
2. Remove pins and adjust legs to desired height and reinsert pins.  
*See Setup Instructions for proper procedure*
3. Start engine.  
*See engine manuals for proper procedure.*
4. Fill with material, add water and mix to desired consistency and dump.

*NOTE: In the unlikely event that the mixing paddles plug, momentarily reverse the paddles.*



## WARNING

**NEVER put your hands inside mixer drum while equipment is running. Death or serious injury can result.**

# OBTAINING SPARE PARTS

Spare parts for your Mud Hog® may be obtained by the following procedure:

1. Record the information from the serial number tag located on the frame near the hydraulic reservoir.
2. Using the parts reference table in this manual, record the part number or component.
3. Contact your local Mud Hog® dealer or EZG Manufacturing at 1-800-417-9272 with the information recorded.

## CLEANUP

1. Turn off engine and disconnect spark plug wire.
2. For maximum performance, thoroughly clean inside and out at mid-day or lunch break and again at the end of each day's use. Do not allow a buildup of materials to form on the blades and seals.
3. Hose out and brush down mixing drum, then spray and brush paddles until all excess material is removed.
4. Grease the fittings and brush the face of drum seals until clean.

## DAILY MAINTENANCE



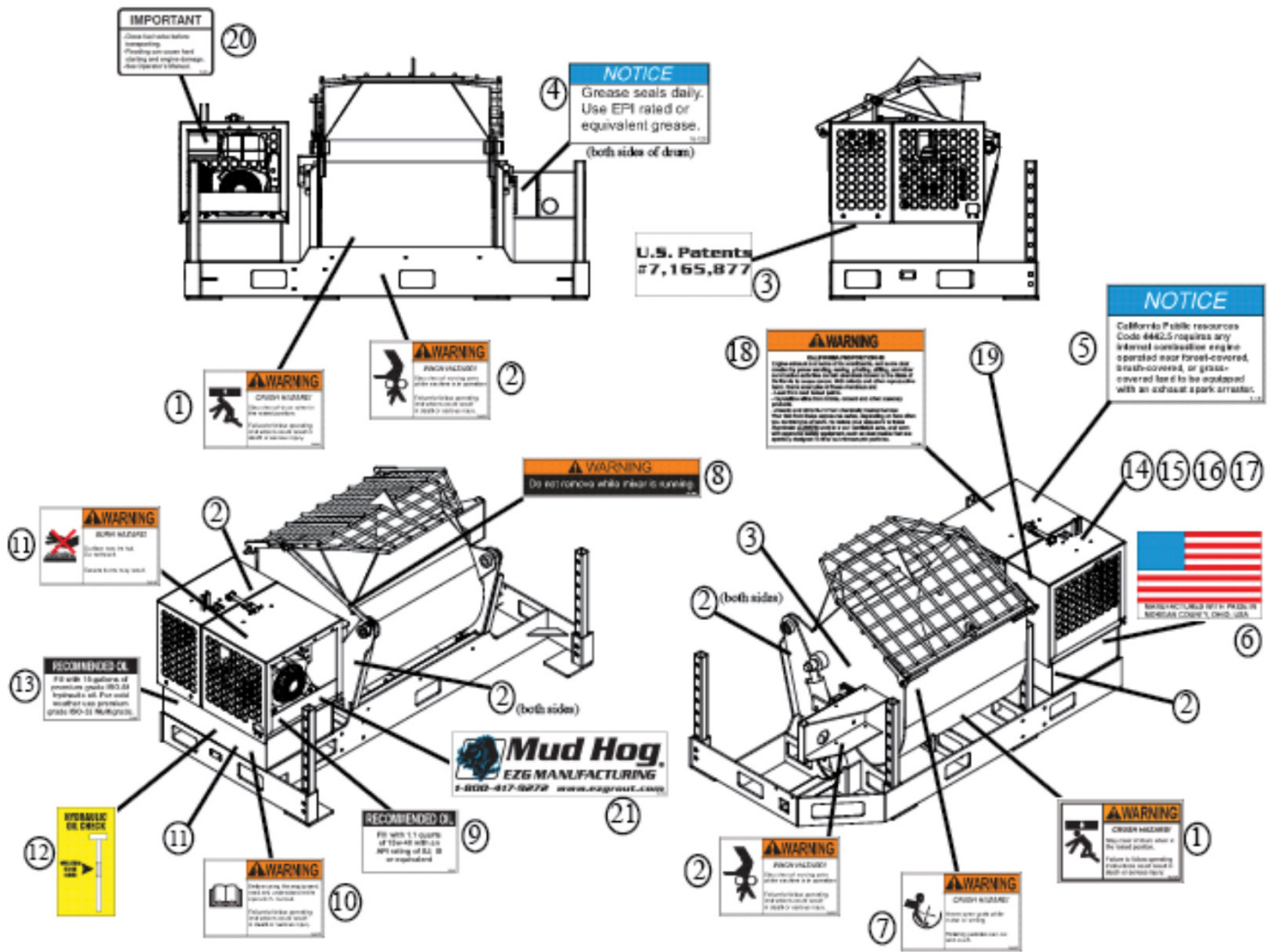
### WARNING

**Before performing any described maintenance items, make sure engine is turned off and spark plug wire is disconnected. Death or serious injury can result.**

1. Check engine oil daily
2. For engine maintenance, refer to the engine manufacturer's manual furnished with the Mud Hog®.
3. Check and grease all grease fittings.  
See Grease Fitting Location drawing in the manual for grease fitting locations.
4. Check hydraulic oil. Add as needed. Change bi-yearly or if contaminated. Change hydraulic filter monthly. Use only recommended premium grade ISO68 Heavy Duty hydraulic oil or equivalent. Do not use contaminated fluid. (Premium grade ISO32 oil may be used in colder climates.)
5. For maximum performance, thoroughly clean inside and out at mid-day or at lunch break and again at the end of each day's use. Do not allow a buildup of material to form on the blades and seals.
6. Check all hydraulic hoses and equipment for leaks. Fix any leaks before operating the Mud Hog®.
7. Check all welds and bolts. If a cracked weld is found, do not operate the Mud Hog® until repaired by qualified personnel. Tighten any loose bolts.
8. Check Paddle Shaft Seal for excessive wear. If any mortar or concrete is leaking past the seal, change seals immediately.
9. Check paddle rubbers for wear. Adjust or replace as needed.
10. Inspect all hoses and fittings for signs of damage, wear, scrapes, kinks or cracking. Replace hoses if any of these conditions are found. It is recommended to replace all hydraulic hoses every 5 years.

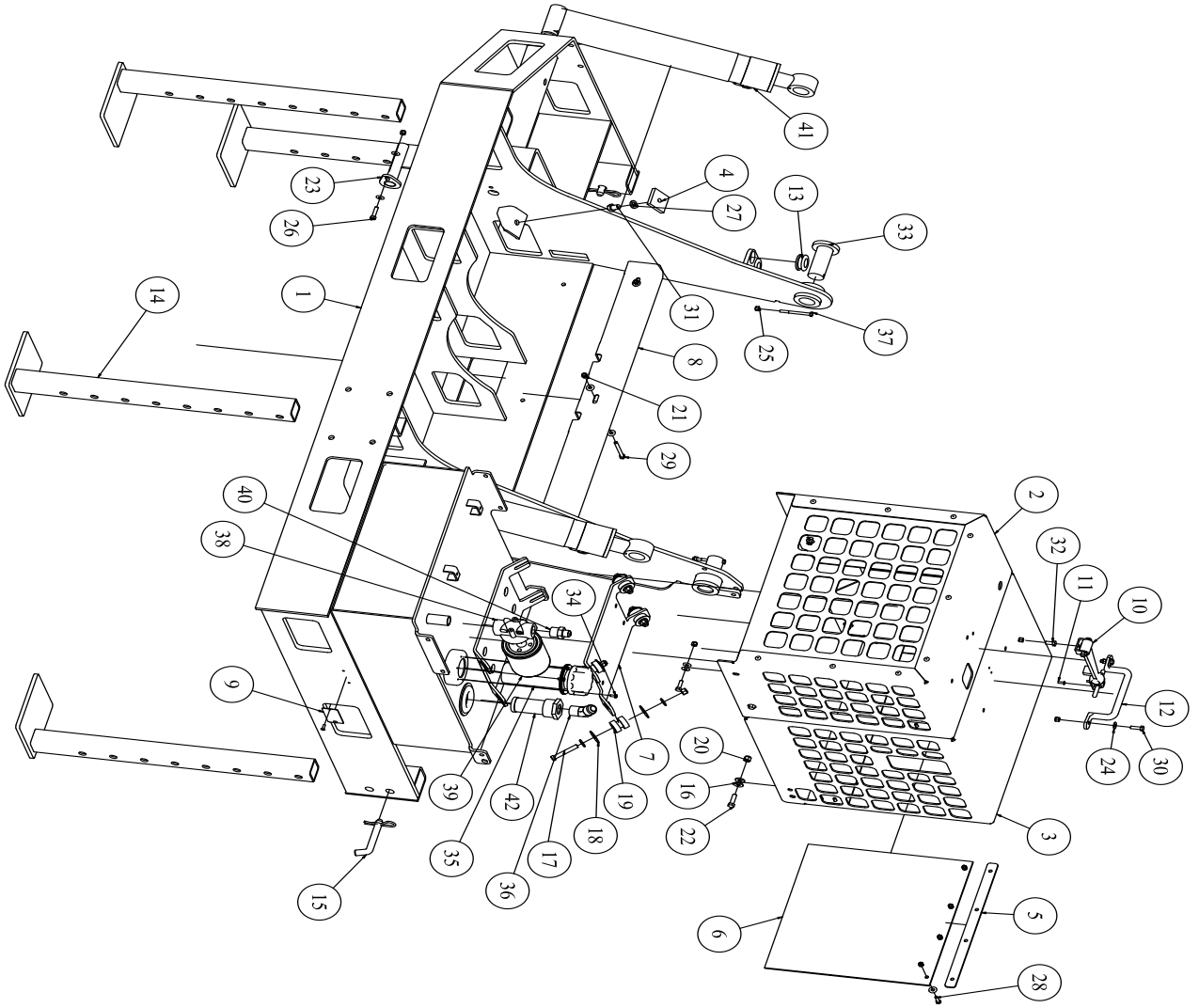


# WARNING LABELS AND LOCATIONS



ITEM	PART NUMBER	DESCRIPTION	QUANTITY
A	16-209	LABEL KIT	1
1		Crush Hazard Decal	2
2		Small Pinch Point Decal	8
3		U.S. Patents Decal	2
4		Grease Seals Daily Decal	2
5		California Public Resources Decal	1
6		U.S. Flag Decal	1
7		Never Open Grate Decal	1
8		Do Not Remove Decal	1
9		Fill with 1.1 Quart Decal	1
10		Read Owners Manual Decal	1
11		Hot Surface Decal	2
12		Check Hydraulic Oil Level Decal	1
13		Fill with 15 Gallons Decal	1
14		Push to Lower/Pull to Dump Decal	1
15		Push for Forward/Pull Reverse Decal	1
16		Push for Reverse/Pull Forward Decal	1
17		Push to Dump/Pull to Lower Decal	1
18		Proposition 65 Decal	1
19		E-STOP	1
20		Close Fuel Valve Decal	1
21		Mud Hog Decal	1

# FRAME ASSEMBLY

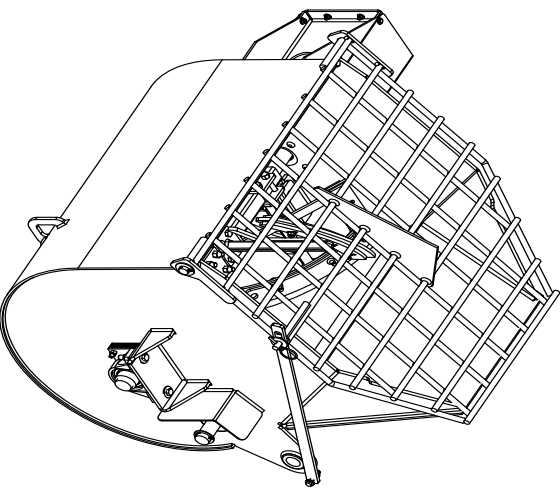
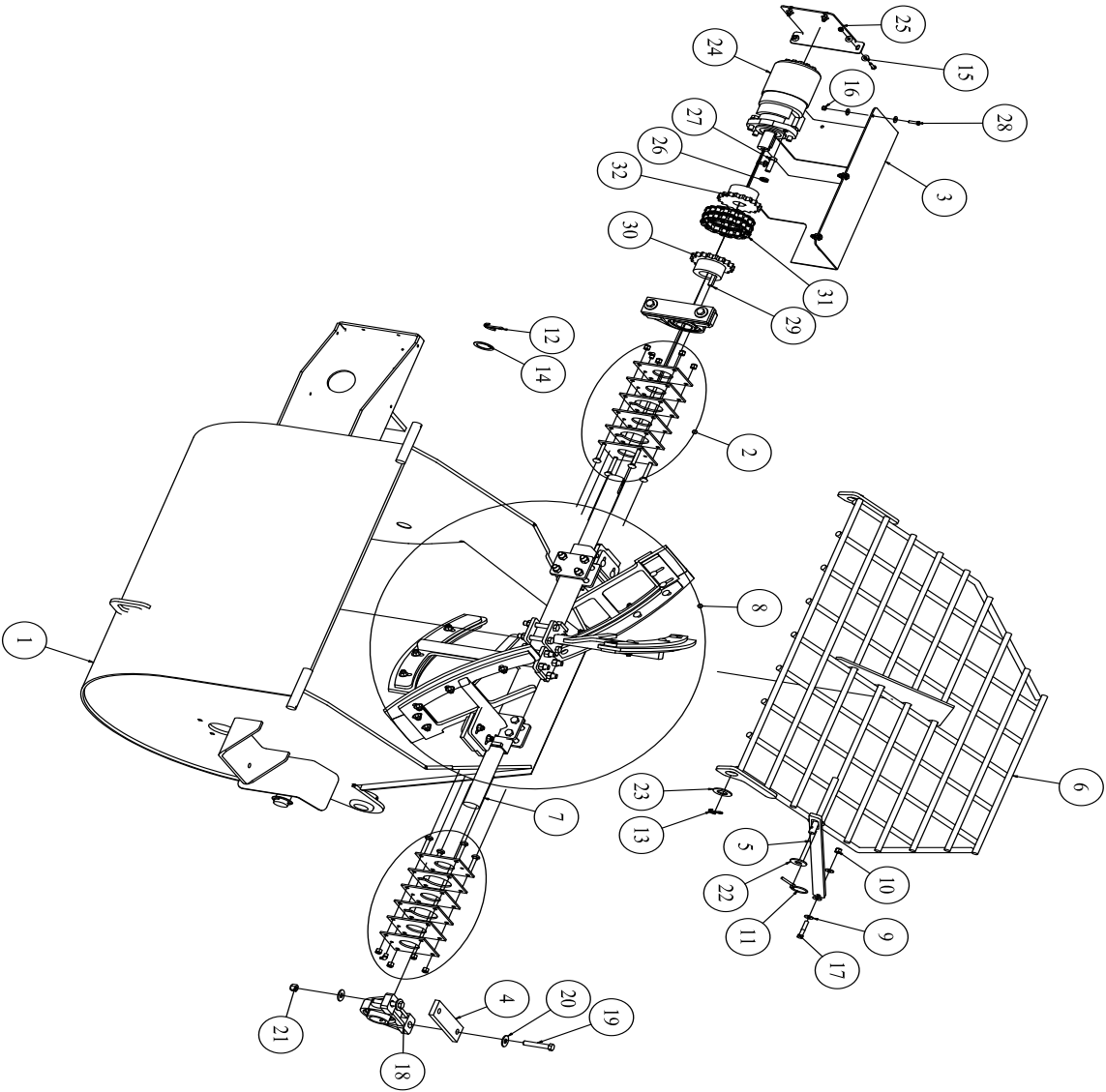


ITEM NUMBER	QTY	PART NUMBER	DESCRIPTION
1	1	MH-A-2	MH12 Frame
2	1	MH12-A-20	MH12 Engine Hood-Fixed Half
3	1	MH12-A-21	MH12 Engine Hood-Hinged Half
4	2	MH-539-1	Drum Rest 3/8" x 2"
5	1	MH-151	Mud Hog-Vinyl Cover Mount Bar
6	1	MH12-63	MH12 Vinyl Engine Cover
7	1	MH12-8	MH12 Mud Hog-Engine Isolation Plate
8	1	MH12-50	MH12 Hydraulic Hose Cover
9	1	20-126	Blank Metal Plates
10	1	20-103	Hood Hold Down Strap Complete Kit
11	4	20-105	Rivets for Name Plates
12	1	20-100	Grab Handle GH Discharge, MH9, MH12, MH20
13	2	13-127	MH12, MH20 Hose Holder Grommet
14	1	MH12-A-9	Leg Kit
15	4	09-418	Hitch Pin Assembly
16	12	09-105	5/16" Flat Washer
17	4	09-314	3/8"-16 x 2 1/2" GR5 Bolt
18	8	09-114	3/8" x 1 1/2" Fender Washer
19	4	02-803	2-Piece Vibration Mount Neoprene
20	6	09-204	3/8"-16 Nylon Nut
21	12	09-202	5/16"-18 Nylon Nut
22	2	09-310	3/8"-16 x 1 1/4" GR5 Bolt
23	2	MH-A-84	MH12/20 Lower Cylinder Pin
24	24	09-104	1/4" Flat Washer
25	6	09-200	1/4"-20 Nylon Nut
26	2	09-368	5/16"-18 x 1 1/4" GR5 Bolt
27	2	09-103	1/2" Lock Washer
28	4	09-301	1/4"-20 x 1" GR5 All Thread Bolt
29	6	09-306	5/16"-18 x 3" GR5 Bolt
30	3	09-342	5/16"-18 x 1" GR5 Bolt
31	2	09-376	1/2"-13 x 3/4" GR5 Bolt
32	1	09-341	5/16"-18 x 3/4" GR5 Bolt
33	2	MH-A-74	Mud Hog-Tunnon Pins (Each)
34	6	09-352	#10-32 x 1/2" Thread Cutting Screw Type F
35	1	02-318	Hydraulic Fill Cap/Breather
36	1	02-278	3/4" JICM to 3/4" NPTM 45 Deg Adaptor
37	2	09-388	1/4"-20 x 3" GR8 Bolt
38	1	02-315	Filter Head 3/4" NPT
39	1	02-316	Hydraulic Filter
40	1	02-204	1/2" JICM to 3/4" NPTM Adaptor
41	2	02-701	Hydraulic Cylinder 3" Bore x 16" Stroke
42	1	02-302	Suction Strainer 1 1/2" NPT to 3/4" NPT

**MH12 Mud Hog® - Frame Assembly**

# DRUM ASSEMBLY

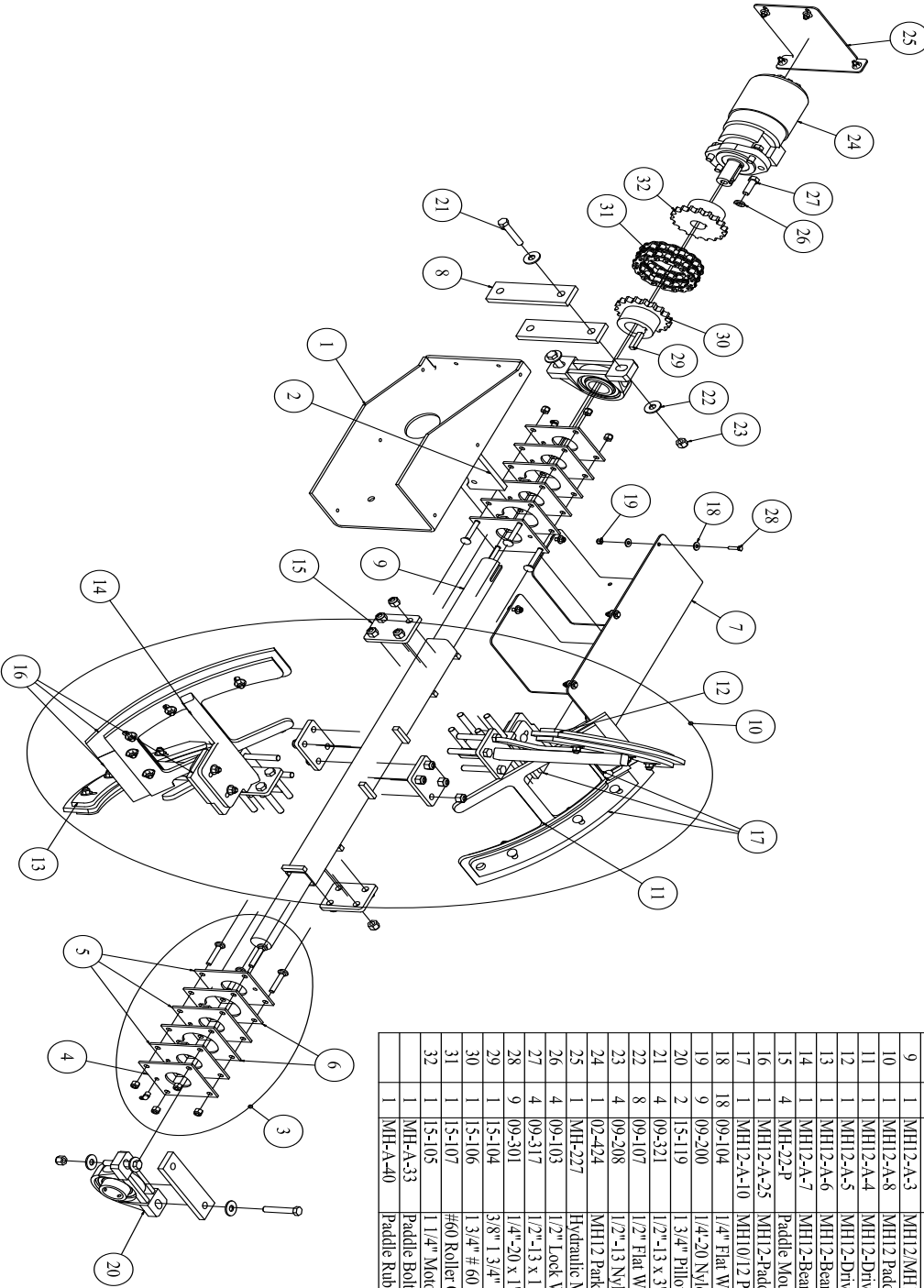
## MH12 Mud Hog® - Drum Assembly



PARTS LIST		
ITEM QTY	PART NUMBER	DESCRIPTION
1	MH12-A-37	MH12 Drum-Flat Frame Gate Drum (918+)
2	MH-A-38	MH Paddle Shaft Seal Kit-Equipment BOMS
3	SMH-13	MH12 Hydraulic Motor-Chain Coupler Guard
4	MH-62	MH9/12/20 Shaft Bearing Shim
5	MH12-15	MH12 Grate Opener
6	MH12-A-11	MH12 Standard Grating Serial 918+)
7	MH12-A-3	MH12/MH10 Paddle Shaft Assembly
8	MH12-A-8	MH12 Paddle Kit (Everything but Shaft)
9	09-105	5/16" Flat Washer
10	09-204	3/8"-16 Nylon Nut
11	09-400	1/4" Linch Pins
12	09-406	3/16" x 2 1/2" Cotter Pins
13	09-411	3/16" x 2" Cotter Pin
14	09-117-P	1/2" ID x 2" OD Shimms Washer (Painted)
15	09-104	1/4" Flat Washer
16	09-200	1/4"-20 Nylon Nut
17	09-356	3/8"-16 x 2" GR8 Bolt
18	15-119	1/2" Pillow Block Bearing
19	09-321	1/2"-13 x 3" GR5 Bolt
20	09-107	1/2" Flat Washer
21	09-208	1/2"-13 Nylon Nut
22	09-109	5/8" Flat Washer
23	09-118	1" SAE Flat Washer
24	02-424	MH12 Parker Hydraulic Motor
25	MH-227	Hydraulic Motor Guard (End)
26	09-103	1/2" Lock Washer
27	09-317	1/2"-13 x 1 1/2" GR5 Bolt
28	09-301	1/4"-20 x 1" GR5 All Thread Bolt
29	15-104	3/8" x 1 3/4" Machined Key (MH Shaft Key)
30	15-106	1 3/4" #60 Shaft Half Coupler
31	15-107	#60 Roller Chain (MH Coupling)
32	15-105	1 1/4" Motor Half Coupler w/ 8mm Key 6018Z

# SHAFT ASSEMBLY

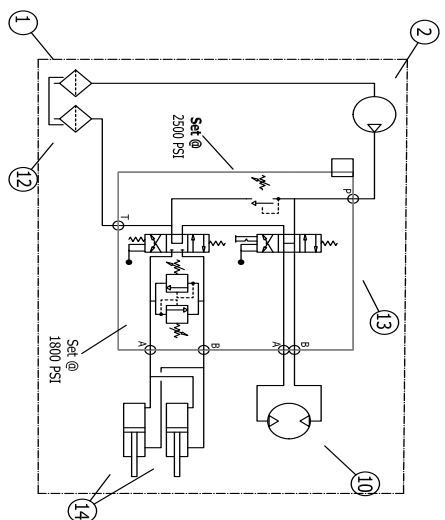
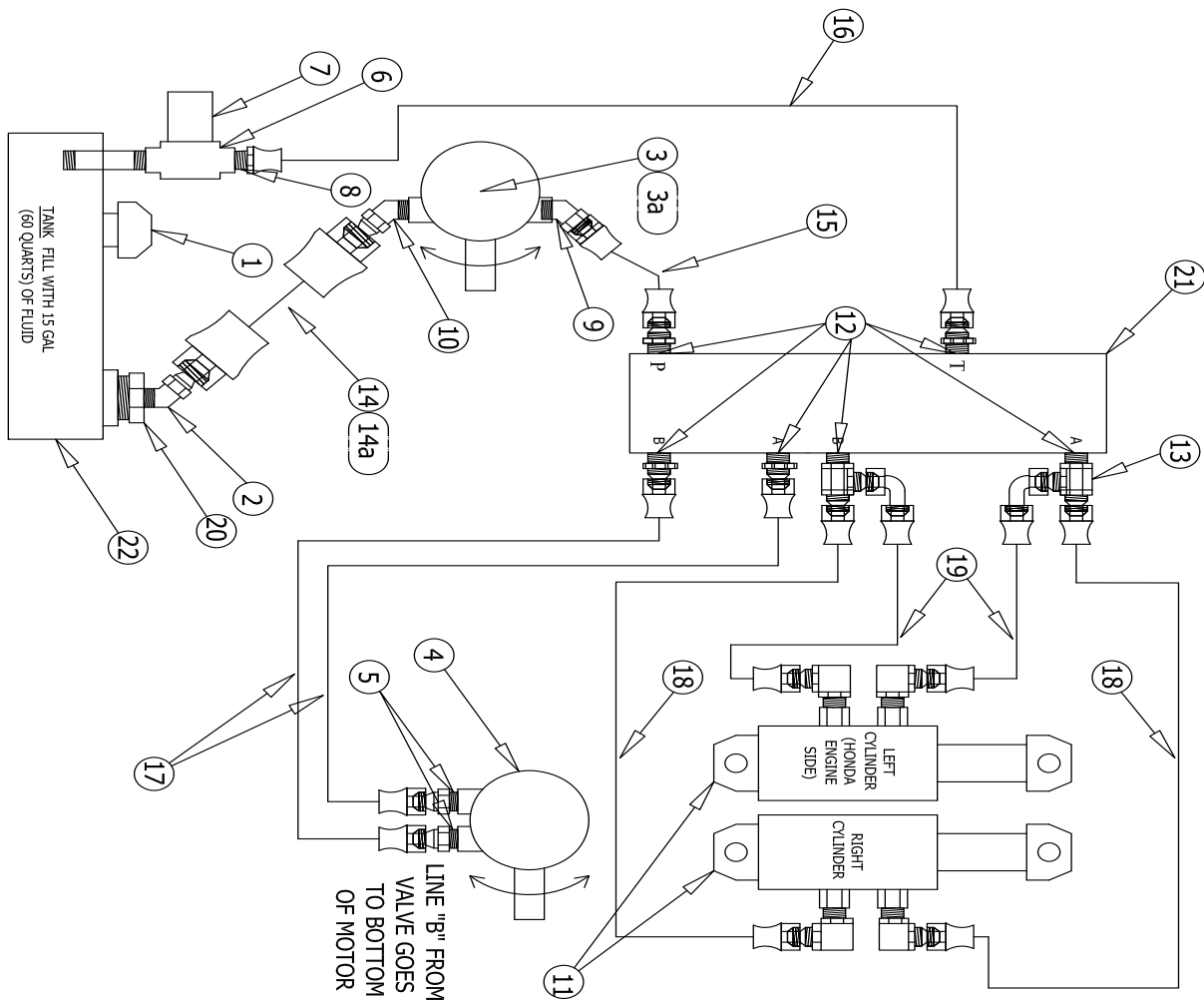
## MH12 Mud Hog® - Shaft Assembly



PARTS LIST		
ITEM QTY	PART NUMBER	DESCRIPTION
1	MH12-56	MH12 Hydraulic Motor Mount
2	MH-9	Hydraulic Motor Mounting Plate-Machined
3	MH-A-38	MH-Paddle Shaft Seal Kit-Includes 2 (MH-40), 6 (13-113), 4 (MH-36)
4	MH-40	Shaft Seal Outer Plate w/90 Deg Grease Fitting
5	13-113	Mud Hog Shaft Seal Urethane
6	MH-36	Shaft Seal Inner Plate
7	SMH-13	MH12 Hydraulic Motor-Chain Coupler Guard
8	MH-62	MH9/12/20 Shaft Bearing Shim
9	MH12-A-3	MH12/MH10 Paddle Shaft Assembly
10	MH12-A-8	MH12 Paddle Kit (Everything But Shaft)
11	MH12-A-4	MH12-Drive End Outer Paddle Kit
12	MH12-A-5	MH12-Drive End Center Paddle Kit
13	MH12-A-6	MH12-Bearing End Center Paddle Kit
14	MH12-A-7	MH12-Bearing End Outer Paddle Kit
15	MH-22-P	Paddle Mounting Plate
16	MH12-A-25	MH12-Paddle Rubber Kit w/ Bolts (No Covers)
17	MH10/12	MH10/12 Paddle Cover Kit (No Rubbers or Bolts)
18	09-104	1/4" Flat Washer
19	09-200	1/4"-20 Nylon Nut
20	15-119	3/4" Pillow Block Bearing
21	09-321	1/2"-13 x 3" GR5 Bolt
22	09-107	1/2" Flat Washer
23	09-208	1/2"-13 Nylon Nut
24	02-424	MH12 Parker Hydraulic Motor
25	MH-227	Hydraulic Motor Guard (End)
26	09-103	1/2" Lock Washer
27	09-317	1/2"-13 x 1 1/2" GR5 Bolt
28	09-301	1/4"-20 x 1" GR5 All Thread Bolt
29	15-104	3/8" 1 3/4" Machined Key (MH Shaft Key)
30	15-106	1 3/4" # 60 Shaft Half Coupler
31	15-107	#60 Roller Chain (MH Coupling)
32	15-105	1 1/4" Motor Half Coupler w/8mm Key 6018Z
1	MH-A-33	Paddle Bolt Kit
1	MH-A-40	Paddle Rubber Bolt Kit

# HYDRAULIC ASSEMBLY

## MH12 (Hydraulic Assembly)



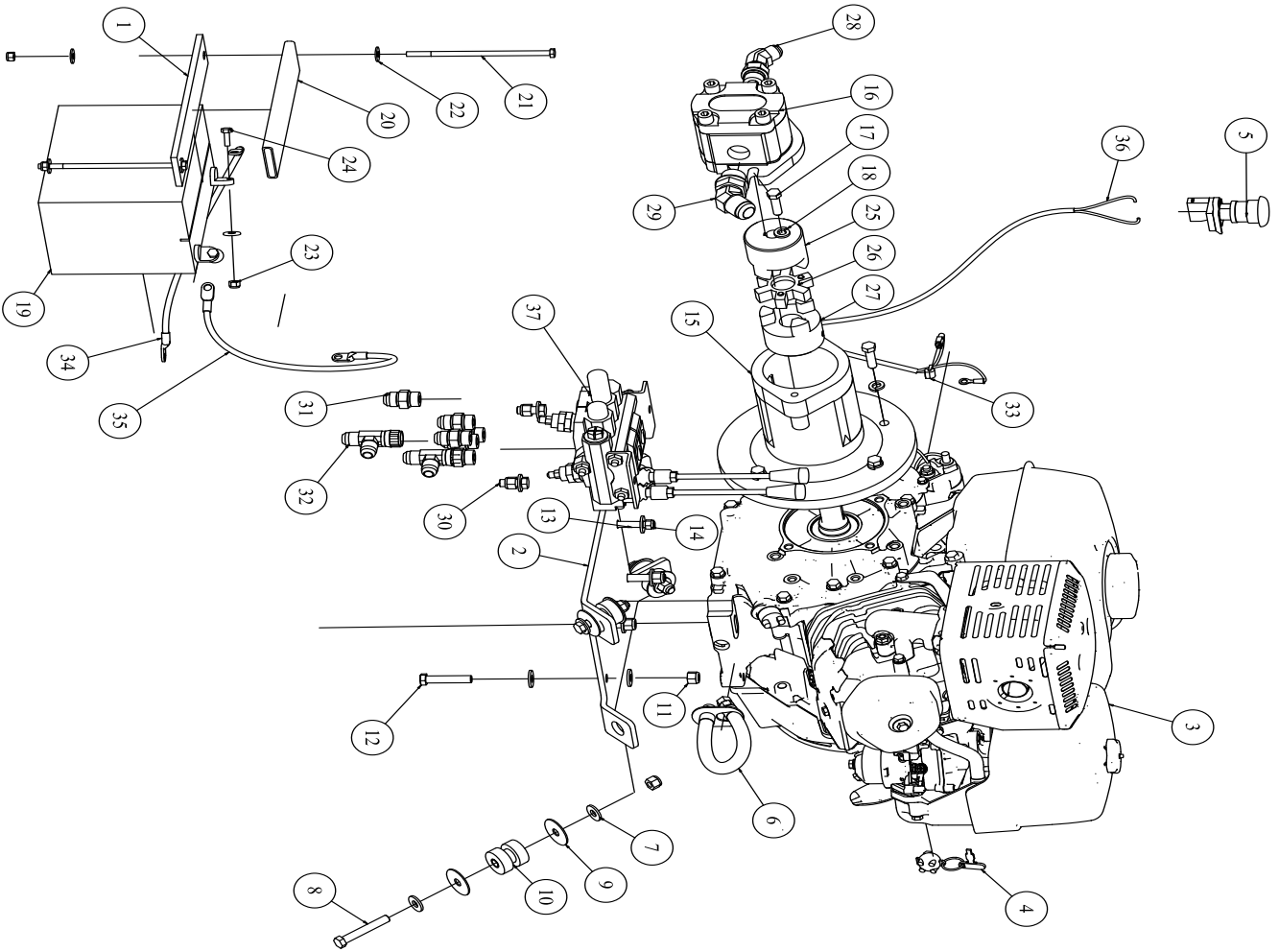
ITEM QTY	PART NUMBER	DESCRIPTION
1	02-318	Hydraulic Fill Cap Assembly
2	02-278	3/4" JICM to 3/4" NPTM 45 DEG Adaptor
3	02-512	DFC-GP-F20-04-P-C Gear Pump MH12
3a	02-521	DFC-GP-F20-06-P-C Gear Pump (Electric)
4	02-424	MH12 Parker Hydraulic Motor
5	02-256	1/2" JICM to 5/8" ORM Adaptor
6	02-315	Filter Head 3/4" NPT
7	02-316	Hydraulic Filter
8	02-204	1/2" JICM to 3/4" NPTM Adaptor
9	02-279	1/2" JICM to 5/8" ORM 90 Adaptor
10	02-259	3/4" JICM to 3/4" ORM 45 DEG Adaptor
11	02-701	Hydraulic Cylinder 3" Bore x 16" Stroke
12	02-255	1/2" JICM to 1/2" ORM Adaptor
13	02-205	1/2" MJ x 1/2" FJ x 1/2" MJ Swivel Nut Tee
14	MH12-A-22	MH12 Hose Assembly (T to P)
14a	MH12-A-40	MH12 Hose Assembly (T to P)(Electric)
15	MH12-A-23	MH12 Hose Assembly (P to V)
16	MH12-A-26	MH12 Hose Assembly (V to T)
17	MH12-A-27	MH12 Hose Assembly (V to M)
18	MH12-A-29	MH12 Hose Assembly (V to RC)
19	MH12-A-28	MH12 Hose Assembly (V to LC)
20	02-302	Suction Strainer 1 1/2" NPT to 3/4" NPT
21	02-665	Bucher L-100 Valve Assembly
22	MH12-A-47	MH12-Hydraulic Tank Assembly (Welded)

### PARTS LIST

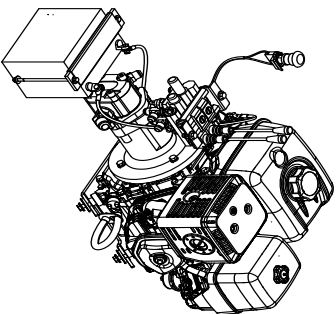
## MH12 Mud Hog® - Hydraulic Schematic



# DRIVE ASSEMBLY



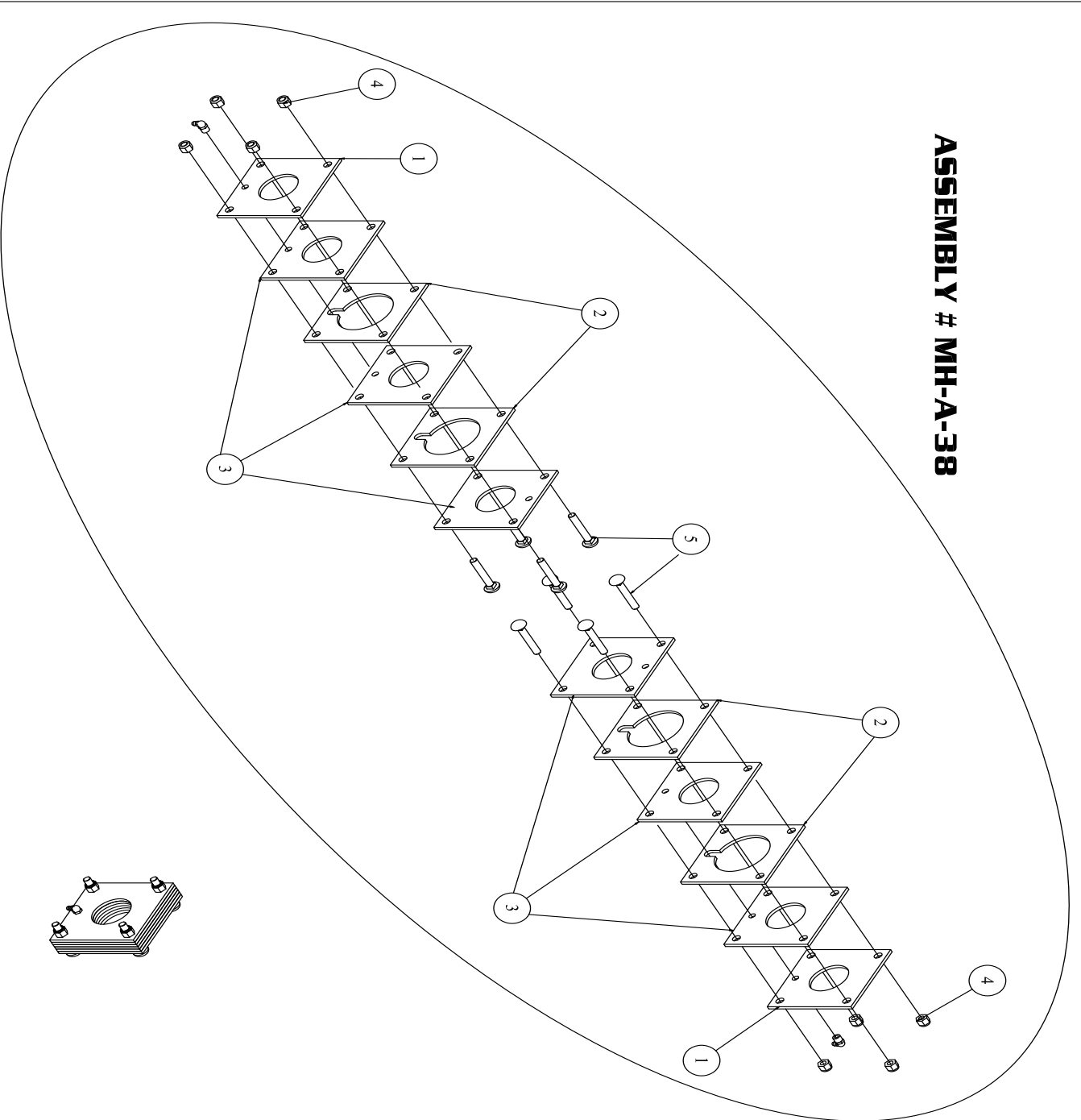
ITEM QTY	PART NUMBER	DESCRIPTION
1	MH-61	MH12/20 Battery Hold Down
2	MH12-8	MH12 Mud Hog -Engine Isolation Plate
3	14-103	GX390UT2QAE12 Honda Engine (3AMP)
4	20-152	EZ GROUPT Corporation Keychain-Hog
5	ESTOP-A-1	ESTOP Switch Assembly
6	20-120	Model # HON 1412 Drainziti
7	18 09-105	5/16" Flat Washer
8	4 09-314	3/8" -16 x 2 1/2" GR5 Bolt
9	8 09-114	3/8" x 1 1/2" Fender Washer
10	4 02-803	2-Piece Vibration Mount Neoprene
11	9 09-204	3/8"-16 Nylon Nut
12	3 09-312	3/8"-16 x 2" GR5 Bolt
13	1 09-505	5/16"-18 x 2" GR5 Bolt
14	1 09-202	5/16"-18 Nylon Nut
15	1 02-514	Pump Adaptor-All MH,GPH & UGPH
16	1 02-512	DHC-GP-F20-04-P-C Gear Pump MH9-MH12
17	6 09-310	3/8" -16 x 1 1/4" GR5 Bolt
18	6 09-102	3/8" Lock Washer
19	1 03-177	Deka Trac 225 Battery
20	1 12-115	1.5 Blue PVC Layflat Water Discharge Hose
21	2 09-389	1/4"-20 x 6 1/2" GR2 Bolt
22	4 09-104	1/4" Flat Washer
23	4 09-200	1/4"-20 Nylon Nut
24	2 09-522	1/4"-20 x 3/4" GR5 Bolt
25	1 15-101	Maska 5/8" Bore Coupling
26	1 15-118	Elastomeric Coupling Spider
27	1 15-102	Maska 1" Bore Coupling
28	1 02-279	1/2" JICM to 5/8" ORM 90 Adaptor
29	1 02-259	3/4" JICM to 5/8" ORBM 45 Deg Adaptor
30	2 09-307	3/8"-16 x 1" GR5 Bolt
31	6 02-255	1/2" JICM to 1/2" ORM Adaptor
32	2 02-205	1/2" MJ x 1/2" FJ x 1/2" MJ Swivel Nut Tee
33	1 03-547	952X 3M Connector-50 per Pkg
34	1 MH-A-85	MH12/20 Negative Battery Cable 18"
35	1 MH-A-86	MH12/20 Positive Battery Cable 28"
36	1 ESTOP-A-2	ESTOP Wire Harness (MH12/MH20)
37	1 02-665	L100 Series Bucher Valve



**MH12 Mud Hog® - Drive Assembly**

# SEAL KIT

## ASSEMBLY # MH-A-38

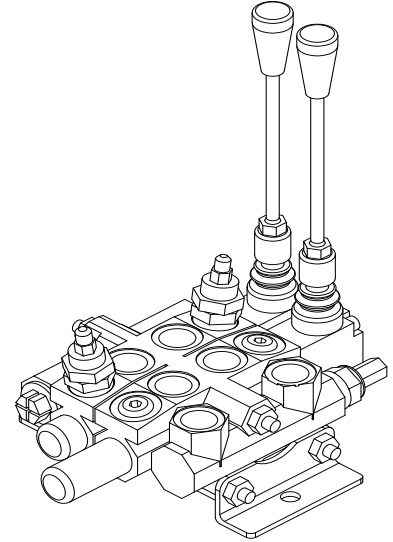
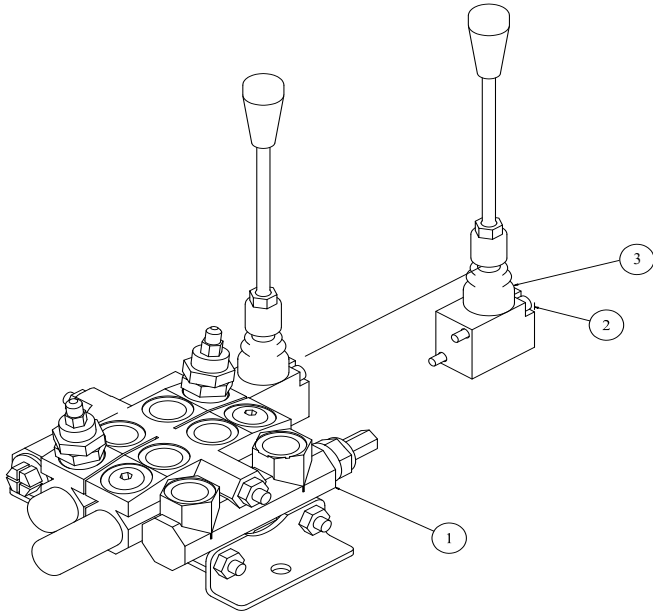


PARTS LIST	
ITEM QTY	PART NUMBER DESCRIPTION
1	MH-40 Shaft Seal Outer Plate
2	MH-36 Shaft Seal Inner Plate
3	13-113 Mud Hog Shaft Seal Urethane
4	09-204 3/8"-16 Nylon Nut
5	09-313 3/8"-16 x 2 1/4" Carriage Bolt

## MH12 Mud Hog® - Shaft Seal Kit

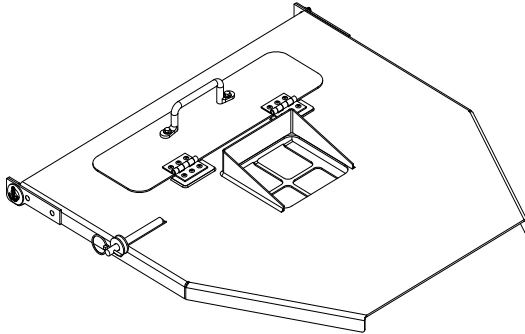
# BUCHER VALVE AND CONTROL HANDLE OPTIONS

PARTS LIST			
ITEM	QTY	PART NUMBER	DESCRIPTION
1	1	02-665-12	L100 Series Bucher Valve
2	2	02-695-A	Bucher L100 Valve Handle-Cap Assembly
3	2	02-6006	Rubber Boot for L100 Series Bucher Valve

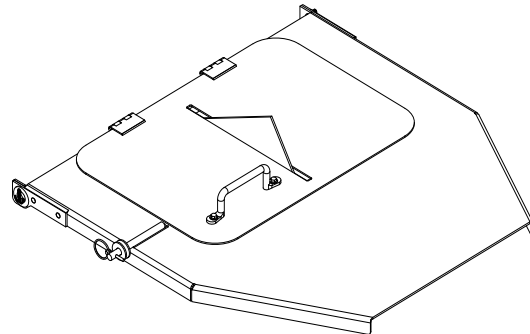


## MH12 Mud Hog® - Bucher Valve

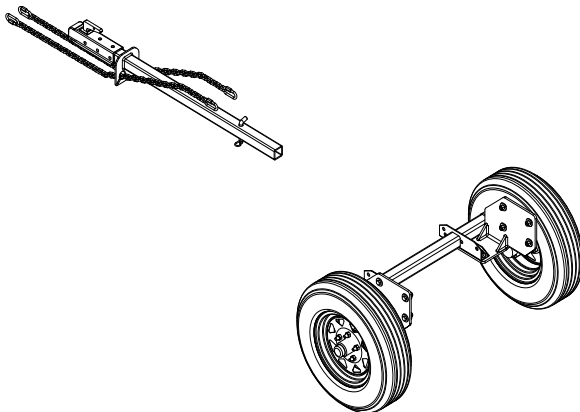
### MH12-A-1 (Solid Grate-Flat Grate Silo(918+))



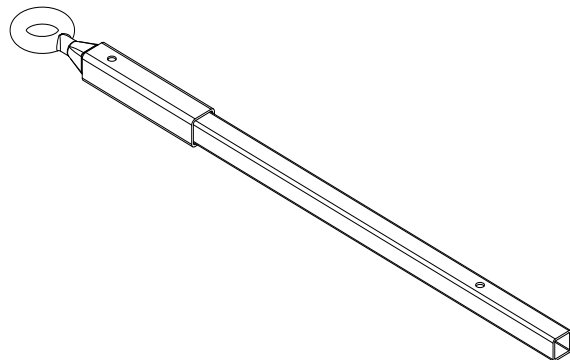
### MH12-A-100 (Bag Ripper Solid Grate Assembly)



### MH12AXLE (MH12 Mud Hog Axle)



### MH12-A-33 (MH12 Pintle Tongue Assembly)

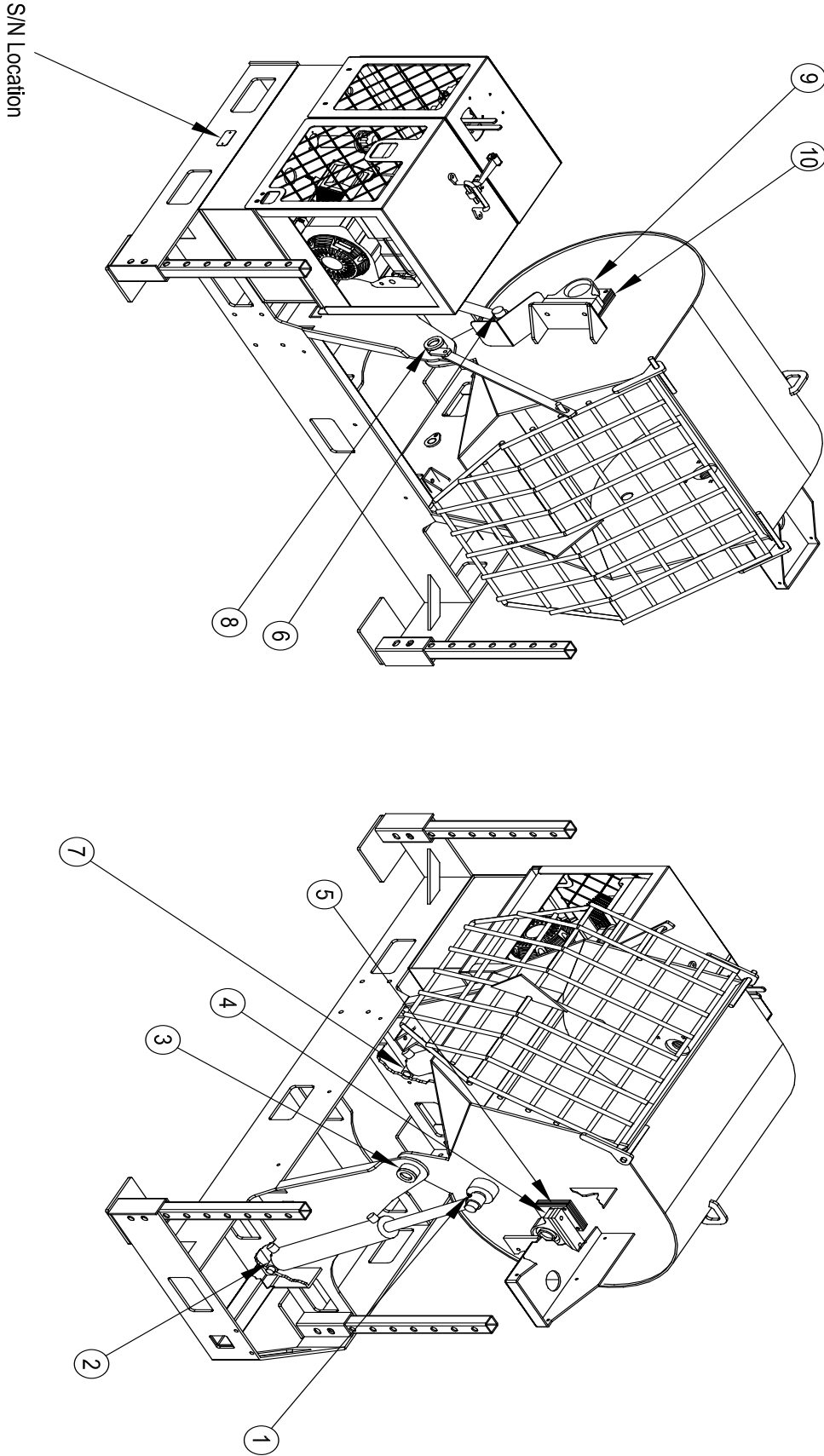


## MH12 Mud Hog® - Options



# GREASE FITTING LOCATION

**Check ALL grease fitting locations DAILY. Grease as needed.**



**MH12 Mud Hog® - Grease Fitting Locations**



# WARRANTY

## Limited Warranty

The manufacturer warrants that products manufactured shall be free from defects in material and workmanship that develop under normal use for a period of one year on all products from the date of shipment. The foregoing shall be the exclusive remedy of the buyer and the exclusive liability of the manufacturer. Our warranty excludes normal replaceable wear items, i.e. gaskets, wear parts, seals, O-rings, belts, drive chains, clutches, etc. Any equipment, part or product which is furnished by the manufacturer but manufactured by another, bears only the warranty given by such other manufacturer. (Manufacturer agrees to furnish free of charge a written description of problem or cause.) Warranty is voided by product abuse, alterations, use of equipment in applications for which it was not intended, use of non-manufacturer parts, or failure to follow documented service instructions. The foregoing warranty is exclusive of all other warranties whether written or oral, expressed or implied. No warranty of merchantability or fitness for a particular purpose shall apply. The agents, dealers, and employees of Manufacturer are not authorized to make modifications to this warranty, or additional warranties binding on the Manufacturer. Therefore, additional statements, whether oral or written, do not constitute warranty and should not be relied upon.

The Manufacturer's sole responsibility for any breach of the foregoing warranty provisions, with respect to any product or part not conforming to the Warranty or the description herein contained, is at its option (a) to repair, replace, or refund such product or parts upon the prepaid return thereof to location designated specifically by the Manufacturer. Product returns not shipped prepaid will be refused (b) as an alternative to the foregoing modes of settlement - the Manufacturer's dealer may repair defective units with reimbursement for expenses. A written description of problem or cause must accompany all warranty claims.

Except as set forth here in above and without limitation of the above, there are no warranties or other affirmation which extend beyond the description of the products on the fact here of, or as to operational efficiency, product reliability, or maintainability or compatibility with products furnished by others. In no event, whether as a result of breach of contract or warranty or alleged negligence, shall the Manufacturer, be liable for special or consequential damages including but not limited to: Loss of profits or revenue, loss of use of the product or any associated product, cost of capital, cost of substitute products, facilities or services or claims of customers. Manufacturer does not assume responsibility for any accident due to equipment modification.

No claim will be allowed for products lost or damaged in transit. Such claims should be filed with the carrier within fifteen days.

Effective July 20, 2005

EZG Manufacturing is the exclusive manufacturer of the patented Grout Hog® Grout Delivery System the Mud Hog® Hydraulic Mixing Station, the Hog Trough® mud pan, the Hog Cart™, the Hog Slopper™, the Booger Hog® Wall Scrubber, the Hog Leg® Wall Brace System, and the Hog Crusher™ Material Recycling System.

# WARRANTY REGISTRATION

Contact:

Company:

Address:

City:

State:

Zip:

Tel:

Fax:

Cell:

Email:

Purchased From:

Direct      Distributor:

Purchase Date:

Serial No.

**Fax Warranty Registration form to 740.962.2037  
or submit online at [www.ezgmfg.com](http://www.ezgmfg.com) by clicking  
on “Products” then “Warranty Cards”.**

PLEASE COMPLETE THIS WARRANTY CARD, AND RETURN  
VIA MAIL, FAX, OR E-MAIL, WITHIN 30 DAYS OF PURCHASE  
TO VALIDATE YOUR MANUFACTURER’S WARRANTY  
FOR ALL EZG MANUFACTURING PRODUCTS.  
WARRANTY PROVISIONS OF THIS MACHINE ARE HANDLED  
DIRECTLY THROUGH THE MANUFACTURER.

EZG MANUFACTURING \* 1833 North Riverview Road, Malta, OH 43758  
PHONE 1-800-417-9272 \* Email: [warranty@ezgmfg.com](mailto:warranty@ezgmfg.com) \* FAX 740-962-2037