



Before using this Grip Hog, study and understand the entire Owner's Manual.



Grip Hog PM-4AIR Owner's Manual



PM-4AIR
EZG MANUFACTURING
1-800-417-9272

EZG Manufacturing
405 Watertown Road
Waterford, Ohio 45786
(740) 749-3512 or 1-800-417-9272
Fax (740) 962-2037 www.ezgmfg.com

TABLE OF CONTENTS

INTRODUCTION.....	3
ABOUT THIS MANUAL.....	3
GENERAL INFORMATION.....	3
SAFETY INFORMATION.....	3
SAFETY PRECAUTIONS.....	4
OPERATING SAFETY.....	6
MACHINE DESCRIPTION.....	5
DAILY MAINTENANCE/INSPECTION.....	6
ASSEMBLY INSTRUCTIONS.....	6
OPERATING INSTRUCTION.....	7
TROUBLESHOOTING.....	7
PM-4AIR.....	8-9
NOTES / SERVICE RECORDS.....	10
WARRANTY.....	11
WARRANTY REGISTRATION.....	12

INTRODUCTION

Congratulations on purchasing one of the finest pieces of construction equipment on the market today! If this is your first EZG Manufacturing product, you will not be disappointed. If you have previously owned an EZG Manufacturing product, you will find the same high quality and dependability that you have come to expect from EZG Manufacturing.

ABOUT THIS MANUAL





The purpose of this manual is to inform the owner/employer/and the operator, how to safely operate this piece of equipment, and make them aware of any hazards. It also contains important information regarding assembly, set up, operation, and maintenance. It is the Owner/Employer's responsibility to make sure that anyone who operates this machine understands all safety warnings. If you do not understand any items in this manual, please contact the dealer where this product was purchased, or the manufacturer at the number listed throughout this manual. If you have any suggestions about how to make this manual easier to understand, contact the manufacturer. Keep this manual available for reference wherever this piece of equipment is being used and make it available to any operators.

GENERAL INFORMATION

Illustrations in this manual may show details or components that may not be the same as your machine. Continuing improvements to the design of this machine may have caused changes that are not included in this manual. The information in this document is subject to change without notice.

SAFETY INFORMATION

The following safety symbols and signal words will be used throughout this manual and on the product, for your safety and the safety of others, please become familiar with their meaning and heed their warnings.

	This symbol, either used alone or with a signal word, is used to call your attention to instructions involving your safety and/or the safety of others. Failure to follow these instructions will likely result in personal injury or death.
 DANGER	This signal word is used to identify a hazard which, if not avoided, will result in death or serious injury.
 WARNING	This signal word is used to identify a hazard which, if not avoided, could result in death or serious injury.
 CAUTION	This signal word is used to identify a hazard which, if not avoided, could result in minor or moderate injury.
NOTICE	This signal word is used to identify a hazard which, if not avoided, could result in property or equipment damage. It also may be used for special instructions related to performance, maintenance or general items.

SAFETY PRECAUTIONS



WARNING

Failure to obey the following safety instructions could result in **DEATH** or **SERIOUS INJURY**.

Read and understand entire manual before operating the PM-4AIR.

For your safety and the safety of others, replace any missing or damaged warning decals by contacting the manufacturer at 1-800-417-9272.

Make sure anyone operating the PM-4AIR is thoroughly familiar with its operation. Keep all unauthorized and untrained personnel, especially children, away from PM-4AIR



Improper maintenance can be hazardous. Read and understand this section before you perform any maintenance, service or repairs.

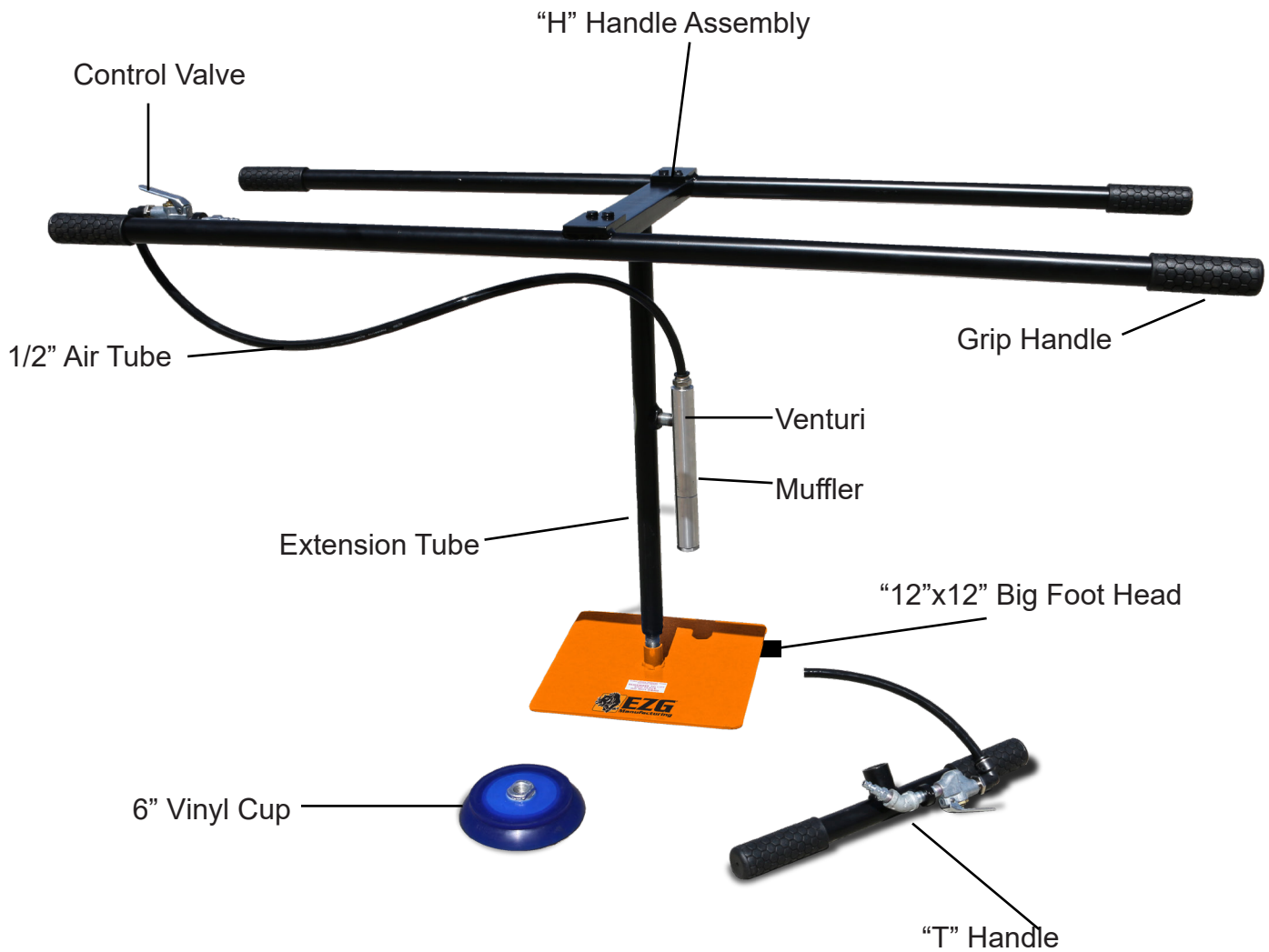
OPERATING SAFETY

- Always wear the proper PPE. Eye protection, hearing protection, and steel toed boots with metatarsal guards must be worn when using this device.
- The PM-4AIR is capable of lifting 75 lbs. in single man configurations and 125 lbs. in two-man configuration. Do not lift any materials heavier than 75 lbs. in one man and 125 lbs. in two-man configurations.
- Compressed air is hazardous.
 - Only use compressed air for its intended purpose.
 - Before using compressed air, inspect all equipment hoses and fittings for damage.
 - Never exceed the recommended pressure.
 - Never apply compressed air to the skin or clothing.
 - Never direct compressed air at your own body or towards another person.
- Do not overtighten threaded connections. Overtightening can damage threads.
- Do not place hands or any body part over the air exhaust. Ensure air exhaust is pointed in a safe direction prior to engaging control valve handle.
- Only use the PM-4AIR for its intended purpose of handling material.

MACHINE DESCRIPTION

PM-4AIR Convertible 1 or 2 Person Vacuum Paver Placing System increases job site efficiency while protecting backs, knees and knuckles. Install the “T” handle for single-man use and lift up to 75 pounds. With the “H” handle two-man assembly, lift up to 125 pounds. Operates on standard compressors with 100 psi, 13.5 cfm or higher air supply, and it comes standard with a “Big Foot” 12” x 12” memory foam head and a 6” vinyl cup.

PM-4AIR



DAILY MAINTENANCE / INSPECTION

Perform a daily inspection prior to using this device.

- Inspect the unit for any loose fittings or damaged parts.
- Inspect threads for damage prior to assembly.
- Inspect the vinyl cup or foam strip for tears or damage that would prevent a proper air seal to material.
- If any defects are found, discontinue use of the device immediately.

ASSEMBLY INSTRUCTIONS

The PM-4AIR is equipped with (1) T-Handle, (1) H-Handle (1) Transition Assembly, (1) 12"x12" memory foam head, (1) 6" vinyl cup

To assemble the PM-4AIR:

1. Ensure threads are clean before assembly
2. Thread the transition Assembly into T-Handle or H-Handle. Thread until tight (about 4 full turns). Do not over tighten threaded connections.
3. When tightening threaded connections, the connection should be easily turned by hand. If the connection does not turn easily by hand, stop tightening and ensure the threads are started correctly.
4. Thread either the 12x12 memory foam head or the 6" vinyl cup onto the transition piece (tighten until stop then tighten two additional turns).

CLEANING INSTRUCTIONS

1. Once a week remove the head of the unit.
2. Using a 5 gallon bucket of warm water stick the extension tube into the bucket of water and squeeze the control valve until water is gone.
3. Repeat with Dawn detergent added to the 5 gallon bucket of warm water.
4. Completely rinse soap residue from bucket.
5. Fill the 5 gallon bucket with warm water, stick extension tube into the bucket and squeeze the control valve until bucket is empty. This will rinse any soap residue.
6. If soap residue remains after rinsing, repeat the rinse process.

OPERATING INSTRUCTIONS

The PM-4AIR works by applying air flow through a specialized valve. The airflow generates vacuum to the memory foam head. The PM-4AIR weighs 42 lbs. Before operating the PM-4AIR, it should be assembled and properly set up.

To Operate the PM-4AIR:

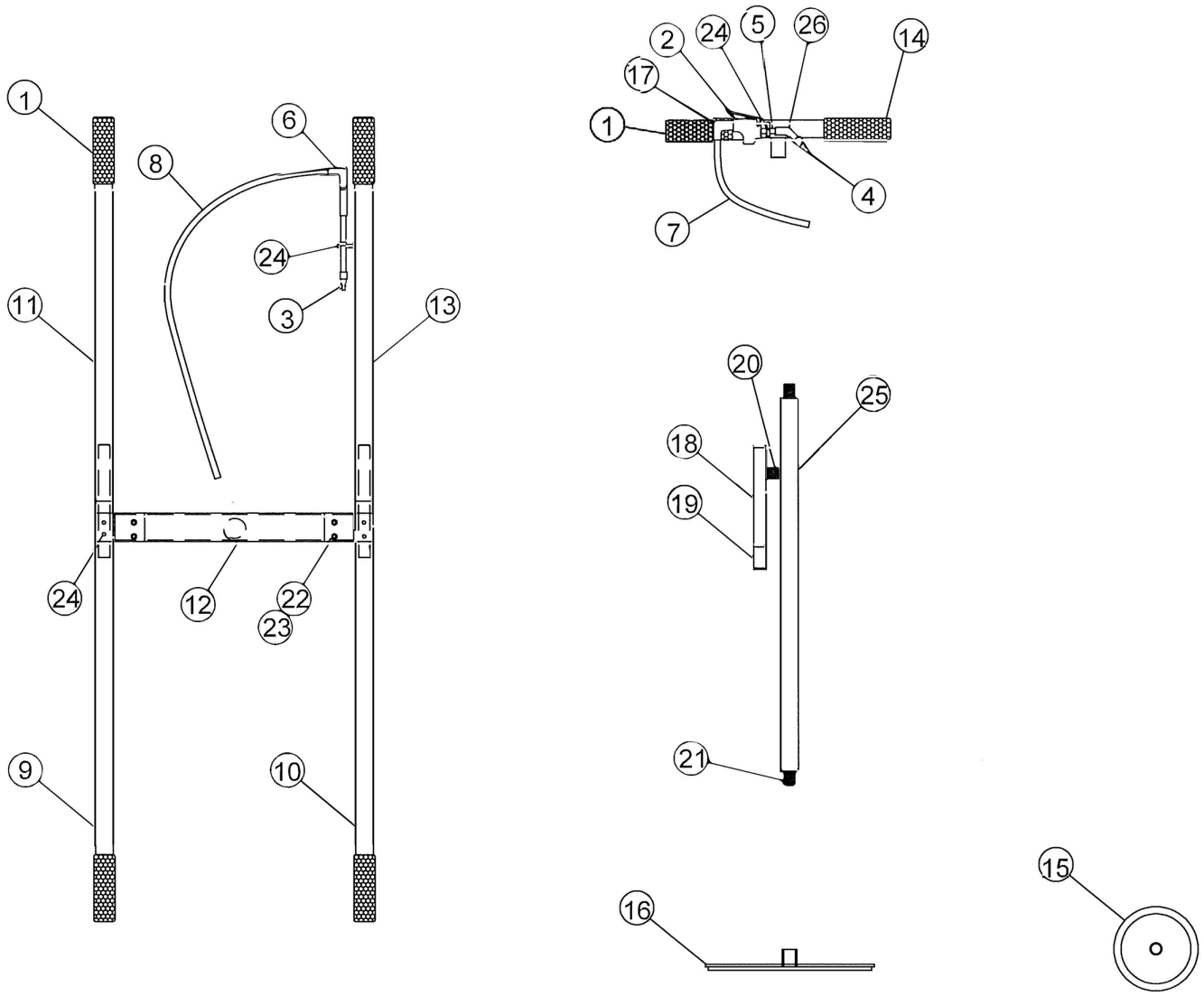
1. Verify that the material to be lifted is 75lbs. or less in one-man configuration or 125 lbs. or less in two-man configuration
2. Position the PM-4AIR on top of the material that will be lifted
3. Connect the PM-4AIR to a 100 psi, 13.5 cfm or higher air supply
4. Position head on top of the material to be lifted.
5. Depress the control valve as vacuum is applied to material surface
6. Keep control valve depressed and use both hands to lift by the handles.
7. Lower the material in desired position and release the control valve (Note: Safe operating height should be no higher than 5" above working surface)
8. Repeat steps 2-8 as needed to complete moving of material

TROUBLESHOOTING

If PM-4AIR will not lift material

1. Check memory foam seal for damage
2. Check air supply for damage or operating issue
3. Check material porosity (material may be too porous to lift)
4. Check material weight (material maybe too heavy to lift)
5. Unit may need cleaned to remove debris
 - a. Connect to proper air supply
 - b. Remove 6" vinyl cup or memory foam pad from transition piece
 - c. Place transition piece into a 5-gallon buck of warm water
 - d. Depress control valve and suction water through unit (water will be expelled through venturi end so point in safe direction)
 - e. Continue depression of control valve until all water is suctioned through the unit
 - f. Repeat if necessary

PM-4AIR



PM-4AIR

Item	Material	Material Description	Quantity
1	17-100	Honeycomb Grip Handle	6
2	17-101	1/4" Blow Gun Control Valve	2
3	17-102	1/4" Male Plug M Style	1
4	17-103	1/4" Female Plug M Style	1
5	17-107	1/4 x 2 Nipple Galvanized	2
6	17-128	1/2 Tube 90 to 1/4 Thd Push-In Fitting	2
7	PM-507	PM 1/2" Black Tubing 10-1/2" Long	1
8	PM-508	PM 1/2" Black Tubing 38" Long	1
9	PM-A-1L	Pave More Handle With Bracket - Left	1
10	PM-A-1R	Pave More Handle With Bracket - Right	1
11	PM-A-2	Pave More Handle 26" Long with 3/4" Pipe	1
12	PM-A-3	PM Handle Center Channel w/3/4" Coupler	1
13	PM4-A-1	PM Handle 26"L w/ 3/4"Pipe & Chuck Mount	1
14	PM4-A-2	Handle 16"L w/ 3/4"Coupler & Chuck Mount	1
15	PNVC-34	6" Round Vinyl Vacuum Head - 1/2" NPT	1
16	PM-PNBF3F-1/2	12"x12"Head with Gasket 1/2"NPT-Big Foot	1
17	17-127	1/2 Tube to 1/2 Thread Push-In Fitting	1
18	IVI-MU-FF-8G-ALU-VR-SPL-REC-1	Venturi	1
19	IVI-MU-MF-8G-12G-ALU-VR-SPL	Muffler	1
20	17-109	3/8 x 1 1/2 Nipple Galvanized	1
21	17-110	1/2 x 1 1/2 Nipple SS	1
22	09-202	5/16"-18 Nylon Nut	4
23	09-104	1/4" Flat Washer	4
24	17-130	1/4-20 x 1/2 Cone Point Set Screw	4
25	PM4-A-3	Ext Tube-w/Bushings & Nipple Welded Assy	1
26	17-112	1/4" 45 Degree Elbow Galvanized	1



Warranty

EZG Manufacturing (“EZG”) warrants its products to be free of defects in material or workmanship that develop under normal use for two years.

Warranty period begins on the IN-SERVICE date (date of purchase by the end user of the product, date placed in service by a rental operator, or date of any utilization). All warranty is based on the following limited warranty terms and conditions, including the disclaimer of implied warranties and consequential damages. **Warranty registration is required to establish the in-service date and for the warranty to become effective.**

EZG Limited Warranty & Limitation of Liability Terms:

1. EZG obligation and liability under this warranty is limited to repairing or replacing parts if, after EZG’s inspection, there is determined to be a defect in material or workmanship. EZG reserves the choice to repair or replace.
2. If EZG chooses to replace the part, it will be at no cost to the customer and will be made available to the EZG Distributor, Dealer, or Rental Center from whom the End User purchased the product.
3. Replacement or repair parts, installed in the product, are warranted only for the remainder of warranty period of the product as though they were the original parts.
4. EZG does not warranty engines. Engine warranty claims should be made directly to an authorized factory service center for the particular engine manufacturer.
5. EZG’s warranty does not cover the normal maintenance of products or its components (such as engine tune-ups and oil & filter changes). The warranty also excludes normal replaceable wear items, i.e. gaskets, wear parts, seals, O-rings, belts, drive chains, clutches, etc. unless such items are deemed to fail due to defective material or workmanship.
6. EZG’s warranty will be void if it is determined that the defect resulted from operator abuse, failure to perform normal maintenance on the product, use of non-manufacturer parts, or failure to follow documented service instructions, alterations or modifications made to the product without the written approval of EZG.
7. EZG will pay shop labor on warranty items at the EZG Shop Labor Rate in existence on the date of the warranty claim. EZG technician will determine the time allowed to complete a repair which will govern the shop labor hours to be allowed.
8. EZG will pay freight on warranty replacement parts at worldwide standard ground rates. No warranty replacement parts will be shipped air freight at the expense of EZG. EZG only pays outbound freight charges when sending warranty replacement parts to the customer via ground service. EZG does not pay any inbound freight. However, if EZG determines this to be a warranted item, EZG will then reimburse the customer for inbound freight at standard ground rates.
9. The EZG WARRANTY POLICY WILL NOT COVER THE FOLLOWING: TAXES; SHOP SUPPLIES; ENVIRONMENTAL SURCHARGES; AIR FREIGHT; TRAVEL TIME; LOSS OF TIME; INCONVENIENCE; LOSS OF RENTAL REVENUE; RENTAL COSTS OF EQUIPMENT USED TO REPLACE THE PRODUCT BEING REPAIRED; LOSS OF USE OF THE PRODUCT; COMMERCIAL LOSS; OR ANY OTHER CHARGES WHATSOEVER OR ANY LIABILITIES FOR DIRECT, INCIDENTAL, OR CONSEQUENTIAL DAMAGE OR DELAY.
10. EZG MANUFACTURING MAKES NO OTHER WARRANTY, EXPRESSED OR IMPLIED. THIS LIMITED WARRANTY IS IN LIEU OF THE WARRANTY OF MERCHANTABILITY AND FITNESS. THERE ARE NO OTHER WARRANTIES THAT EXTEND BEYOND THE DESCRIPTION ON THIS DOCUMENT.
11. No EZG Manufacturing employee or representative is authorized to change this warranty in any way or grant any other warranty unless such change is made in writing and signed by an officer of EZG Manufacturing.



WARRANTY REGISTRATION IS REQUIRED TO ESTABLISH THE IN-SERVICE DATE AND FOR THE WARRANTY TO BE EFFECTIVE.
(some specialty equipment is exempted, or limitations may apply)

WARRANTY REGISTRATION

Fax Warranty Registration form to 740-962-2037 or submit online at www.ezgmfg.com by clicking on "Resources" then "Warranty", lastly you can click on the orange "Click Here to Register" button

CONTACT: _____
COMPANY: _____
ADDRESS: _____
CITY: _____ STATE _____ ZIP _____
PHONE: _____ FAX _____ CELL _____
EMAIL: _____
PURCHASED FROM: Direct Distribution _____
PURCHASED DATE: _____ SERIAL NO. _____

PLEASE COMPLETE THIS WARRANTY CARD AND RETURN VIA MAIL, FAX OR E-MAIL WITHIN 30 DAYS OF PURCHASE TO VALIDATE YOUR MANUFACTURER'S WARRANTY FOR ALL EZG MANUFACTURING PRODUCTS.

WARRANTY PROVISIONS OF THIS MACHINE ARE HANDLED DIRECTLY THROUGH THE MANUFACTURER.

EZG MANUFACTURING * 1833 North Riverview Road, Malta, OH 43758 *
PHONE 1-800-417-9272 * Email: warranty@ezgmfg.com * FAX 740-962-2037

Please take a minute to fill out the survey below so that we better serve our customers.

EZ Survey

- WHERE DID YOU FIRST HEAR ABOUT EZG MANUFACTURING (CHECK ONE)
 Masonry Magazine Website Newsletter Referral Masonry Construction
 Other: _____
 - WHAT INFLUENCED YOU TO BUY? QUALITY PRICE EASY TO USE OTHER
 - WHO IS YUR SALES REPRESENTATIVE? _____
 - ARE YOU SATISFIED WITH THE CUSTOMER SERVICE YOU RECEIVED? YES NO
Explain: _____

 - WHAT OTHER EZG MANUFACTURING PRODUCTS DO YOU OWN?

 - WOULD YOU LIKE TO BE FEATURED IN OUR NEWSLETTER? YES NO
If yes, where can we reach you and what is the best time?

- Comments: _____

