



Before using this Fence Hog®, study and understand the entire Owner's Manual.

Serial Number _____



FH08-24
FH08-36
Fence Hog®
Owner's Manual



Fence Hog®
EZG MANUFACTURING
1-800-417-9272

EZG Manufacturing
405 Watertown Road
Waterford, Ohio 45786
(740) 749-3512 or 1-800-417-9272
Fax (740) 962-2037 www.ezgmfg.com

TABLE OF CONTENTS

INTRODUCTION.....	3
ABOUT THIS MANUAL.....	3
GENERAL INFORMATION.....	3
SAFETY INFORMATION.....	3
SAFETY PRECAUTIONS.....	4
MACHINE DESCRIPTION.....	5
OPERATING SAFETY.....	6
MAINTENANCE.....	7
OPERATING INSTRUCTIONS.....	8-9
FH08-24-CLS.....	10
FH08-36-CLS.....	11
FH24-2X (24" - 2 FT Extension).....	12
FH24-4X (24" - 4 FT Extension).....	13
FH36-2X (36" - 2 FT Extension).....	14
FH36-4X (36" - 4 FT Extension).....	15
FHS99(Chain Link Stretching).....	16
FHWP.....	17
FHWS99-24 (Woven wire Stretcher)	18
FHWS99-36 (Woven wire Stretcher)	19
TA SCHEMATIC.....	20
TILT	21
NOTES / SERVICE RECORDS.....	22
WARRANTY.....	23
WARRANTY REGISTRATION.....	24

INTRODUCTION

Congratulations on purchasing one of the finest pieces of construction equipment on the market today! If this is your first EZG Manufacturing product, you will not be disappointed. If you have previously owned an EZG Manufacturing product, you will find the same high quality and dependability that you have come to expect from EZG Manufacturing.

ABOUT THIS MANUAL





The purpose of this manual is to inform the owner/employer/and the operator, how to safely operate this piece of equipment, and make them aware of any hazards. It also contains important information regarding assembly, set up, operation, and maintenance. It is the Owner/Employer's responsibility to make sure that anyone who operates this machine understands all safety warnings. If you do not understand any items in this manual, please contact the dealer where this product was purchased, or the manufacturer at the number listed throughout this manual. If you have any suggestions about how to make this manual easier to understand, contact the manufacturer. Keep this manual available for reference wherever this piece of equipment is being used and make it available to any operators.

GENERAL INFORMATION

Illustrations in this manual may show details or components that may not be the same as your machine. Continuing improvements to the design of this machine may have caused changes that are not included in this manual. The information in this document is subject to change without notice.

SAFETY INFORMATION

The following safety symbols and signal words will be used throughout this manual and on the product, for your safety and the safety of others, please become familiar with their meaning and heed their warnings.

	This symbol, either used alone or with a signal word, is used to call your attention to instructions involving your safety and/or the safety of others. Failure to follow these instructions will likely result in personal injury or death.
 DANGER	This signal word is used to identify a hazard which, if not avoided, will result in death or serious injury.
 WARNING	This signal word is used to identify a hazard which, if not avoided, could result in death or serious injury.
 CAUTION	This signal word is used to identify a hazard which, if not avoided, could result in minor or moderate injury.
NOTICE	This signal word is used to identify a hazard which, if not avoided, could result in property or equipment damage. It also may be used for special instructions related to performance, maintenance or general items.

SAFETY PRECAUTIONS



WARNING

Failure to obey the following safety instructions could result in **DEATH** or **SERIOUS INJURY**.

Read and understand entire manual before operating the Fence Hog.

For your safety and the safety of others, replace any missing or damaged warning decals by contacting the manufacturer at 1-800-417-9272.

Make sure anyone operating the Fence Hog is thoroughly familiar with its operation. Keep all unauthorized and untrained personnel, especially children, away from Fence Hog



Improper maintenance can be hazardous. Read and understand this section before you perform any maintenance, service or repairs.

General Safety

- This machine is heavy and must not be lifted single-handedly; either get help or use suitable lifting equipment..
- This machine is to be used for is intended application only.
- This machine must only be operated by well-trained personnel.
- The owner of this machine must observe, and train the user to observe, the effective laws of labor protection in the country of application.
- Personal Protective Equipment (PPE) must be worn by the operator whenever the equipment is being used.
- Cordon off the work area and keep members of the public and unauthorised personnel at a safe distance.
- This machine must be operated on ground where stability is guaranteed. When working near the rim of excavated trenches, use the machine properly so that the machine may not fall down or collapse the excavation.
- Never remove or tamper with any fitted guards; they are there for your own protection. If they are damaged or missing, **DO NOT USE THE MACHINE** until the guard has been replaced or repaired.
- Do not operate the machine when you are ill, feeling tired or when under the influence of alcohol or drugs.
- This machine is designed to eliminate the possible risks arising from the use of it. However, risks DO reside, and these residual risks are not clearly recognisable and may cause personal injury or property damage, and possibly death. If such unpredictable and unrecognisable risks become apparent, the machine must be stopped immediately, and operator or his supervisor must take appropriate measure to eliminate such risks. It is sometimes necessary that the manufacturer must be informed of such event for future counter measuring.

MACHINE DESCRIPTION

Dispenses Woven Wire, Chain Link, and Other Fence Types

EASY FENCING, EVERY TIME

Developed with the assistance of professional fence builders, the Fence Hog® unit was designed to satisfy customer requests for a machine that picks up and dispenses cumbersome rolls of chain link fence easily, with no physical effort.

Powered by the hydraulic used in the Skid-Steer Loader, the uniquely designed cage mechanism opens and tilts to retrieve the fence roll from the ground. For the fence contractor, this means no more unrolling fence by hand and using extra men to stand it up.

FH08-24 / FH08-36



OPERATING SAFETY

1. The Fence Hog® is a fence-dispensing device. Used outside of this scope may cause damage to equipment or could result in injury, or death.



2. Make sure anyone operating the Fence Hog® is thoroughly trained with its operation. Keep all unauthorized and untrained personnel, especially children, away from the Fence Hog®.

3. Consult lift equipment manufacturer's specifications to insure load capacity is not exceeded.

Model	Empty Weight	With 4ft. Extension
FH08-24	1150lbs. (521.6 kg)	1500lbs. (680.4 kg)
FH08-36	1350 lbs. (612.3 kg)	1775lbs. (805.1 kg)

Do not exceed Maximum Gross Weight.

4. Always make sure Fence Hog® is securely fastened to skid steer.



5. Stay clear of gate opening while machine is running. Keep all body parts, solid objects, clothing, and jewelry away from all moving parts.

6. Never perform any work on the Fence Hog® while it is running. Before working on the Fence Hog®, stop skid steer and disconnect the hydraulic hose to prevent accidental starting.



7. Avoid contact with hot hydraulic fluid. Allow system to cool before performing any repairs or service.

8. Never stand under an elevated Fence Hog®.

9. Never ride the Fence Hog®.

10. Never operate the Fence Hog® under the influence of alcohol, drugs, or medications.

11. Use only factory authorized parts.

12. Inspect all hoses and components for cracks, leaks, abrasions, and general wear before each use. Replace if damaged before using.

13. Inspect all hoses and fittings for signs of damage, wear, scrapes, kinks or cracking. Replace hoses if any of these conditions are found. It is recommended to replace all hydraulic hoses every 5 years.



14. Always wear approved safety glasses and hard hats when operating or servicing a Fence Hog®.

15. Do not use the Fence Hog® as a lifting device and do not load more than one roll of fence fabric or wire in the Fence Hog® at a time.

MAINTENANCE

Grease fittings located on the Fence Hog® and Extension. See drawing for location of fittings. All grease fittings should be greased before each use with EPI rated or equivalent grease.

Obtaining Spare Parts

Spare parts for your Fence Hog® may be obtained by the following procedure.

1. Record the Model number and Serial Number from the Serial Number Tag located on the valve mount bar of the Fence Hog®.
2. Using the parts reference table in this manual, record part number, serial number, and component.
3. Contact your local Fence Hog® dealer or EZ Manufacturing at 1-800-417-9272 with the serial number, part number, and component.



Warning Decals - for your safety and the safety of others, replace any damaged or missing warning decals by contacting the manufacturer at 1-800-417-9272.

OPERATING INSTRUCTIONS

Loading Wire

1. Attach the Fence Hog® to your skid steer. Consult skid steer owner's manual for attachment procedure.
2. Connect hydraulic hoses to skid steer auxiliary hydraulic couplers.
3. Using the auxiliary hydraulics, cycle all hydraulic motions to verify the Fence Hog® is operating correctly. Verify that the cage opens and closes completely and moves smoothly throughout its travel of operation.
4. Open the Fence Hog® to its widest point and position your skid steer so that a roll of wire is directly in front of it.
5. Then lift the boom and tilt the Fence Hog® down.
6. Move the skid steer forward until the turntable of the Fence Hog® aligns with the bottom of the roll of fence.
7. Lower the Fence Hog® over the roll of wire and begin closing the gates. Once the gates are mostly closed, lift the boom and tilt the Fence Hog® up.
8. The roll of wire will fall back into the cage of the Fence Hog®. Close the Fence Hog® tightly.

Note: For Woven Wire - Install Roll Centering Rod through the center of roll and into turntable to hold roll upright by removing the Roll Centering Rod from the square tube on the back of the Fence Hog® and sliding it through the center of wire roll and into the hole in the turntable. Then, install Centering Rod support over Centering Rod.

OPERATING INSTRUCTIONS

Installing Fence

1. After loading a roll of wire, move the skid steer parallel to the row of fence posts and attach the beginning of the roll to the first fence post.
2. Slowly drive the skid steer along the fence line and the roll will start to unwind. Continue to desired point.

Standard Chain Link Stretcher: At stretching point, pull Handle and rotate Stretching Bar until fingers point outward. Insert fingers through the fabric. Skip to Step 3.

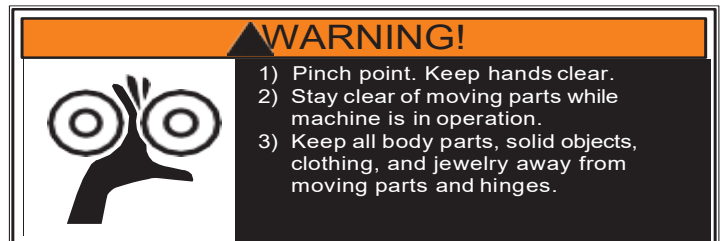
Optional Woven Wire Stretcher: Install optional woven wire stretcher to the gate ends. Using the holes provided, drive the wedges into stretcher to hold wire, then drive forward to stretch to desired tension.

3. Maneuver the skid steer so the fabric is aligned with the fence line. **DRIVE FORWARD** to stretch to desired tension.
4. Attach fabric to post once desired tension is reached.
5. Relieve pressure on fabric (remove locking wedges if applicable) and return stretcher to stowed position.
6. Repeat steps 1 through 5 as needed.

WARNING LABELS



Owners Manual: Located on frame.

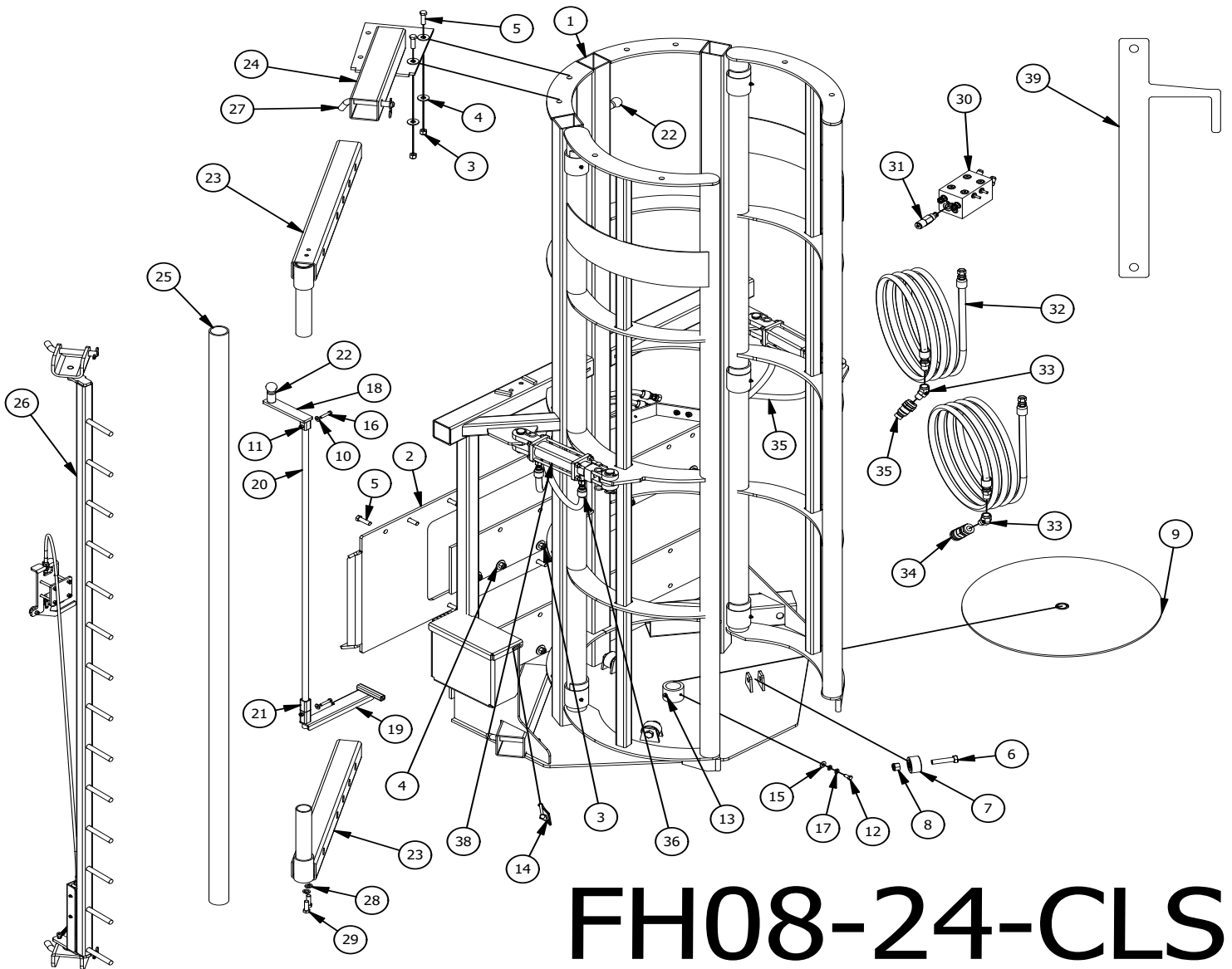


Pinch Label: Located on gates where gates attach to frame and where gates come together.

FH08-24-CLS

ITEM	QTY	PART NUMBER	DESCRIPTION
1	1	FH24-A-1	Frame Welded Assembly
2	1	FH-A-9	Universal Attachment Plate
3	10	09-208	1/2" -13 Nylon Nut
4	12	09-107	1/2" Flat Washer
5	10	09-325	1/2"-13 x 1 3/4" Grade 5 Bolt
6	3	09-319	5/8"-11 X 2 3/4" Grade 5 Bolt
7	3	15-139	Support Cam Roller
8	3	09-210	5/8"-11 Nylon Nut
9	1	FH24-A-14	Turntable Assembly
10	2	09-104	1/4" Flat Washer
11	2	09-202	5/16"-18 Nylon Nut
12	1	09-355	3/8"-16 x 3/4" Grade 5 Bolt
13	1	09-600	1/8" 90° Grease Fitting
14	1	09-407	Latch Pin
15	1	09-105	5/16"-18 x 1 1/2" Grade 5 Bolt
16	2	09-303	5/16"-18 x 1 1/2" Grade 5 Bolt
17	2	09-102	3/8" Lock Washer
18	1	FH24-A-12	Brake Handle Assembly
19	1	FH24-A-13	Turntable Brake Stop Assembly

ITEM	QTY	PART NUMBER	DESCRIPTION
20	1	FH-518	Brake Rod
21	1	FH-547	Brake Rod Spacer
22	2	09-409	Knob Spring
23	2	FH-A-4	Drive Forward Outrigger
24	1	FH24-A-7	Upper Drive Forward Outrigger Pocket Assembly
25	1	FH-538	Drive Forward Arm
26	1	FHS99	Chain Link Stretcher 99"
27	4	09-425	Bent Pin
28	2	09-103	1/2" Lock Washer
29	2	09-317	1/2" - 13 x 1.5" Grade 5 Bolt
30	1	02-6016	Relief and Holding Valve Assembly
31	1	02-634	Deltrol Bi-Directional Relief Cartridge
32	2	FH-A-6	Supply Hose Assembly
33	2	02-2114	1/2" Male x 1/2" female street 45°
34	1	02-221	1/2" Female Disconnect
35	1	02-222	1/2" Male Disconnect
36	2	FH24-A-9	Left Cylinder Hose Assembly
37	2	FH24-A-10	Right Cylinder Hose Assembly
38	2	02-708	Hydraulic Cylinder 2" bore x 4" Stroke
39	5	Hanger	Hog Hanger

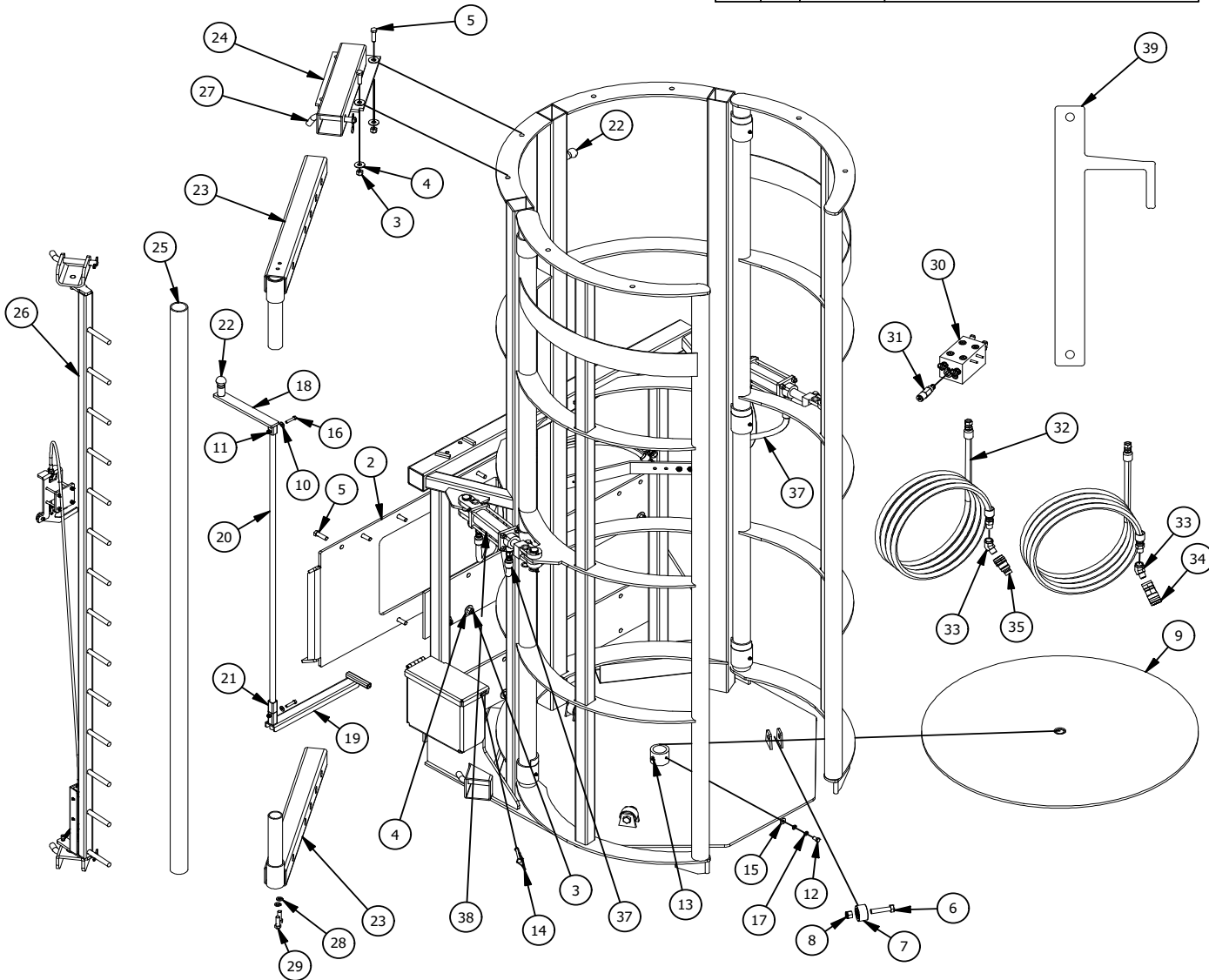


FH08-24-CLS

FH08-36-CLS

ITEM	QTY	PART NUMBER	DESCRIPTION
1	1	FH36-A-1	Welded Gate and Frame Assembly
2	1	FH-A-9	Universal Skidsteer Attachment Plate
3	10	09-208	1/2" -13 Nylon Nut
4	12	09-107	1/2" Flat Washer
5	10	09-325	1/2"-13 x 1 3/4" Grade 5 Bolt
6	3	09-319	5/8"-11 X 2 3/4" Grade 5 Bolt
7	3	15-139	Support Cam Roller
8	3	09-210	5/8"-11 Nylon Nut
9	1	FH36-A-14	Turntable
10	2	09-104	1/4" Flat Washer
11	2	09-202	5/16"-18 Nylon Nut
12	1	09-355	3/8"-16 x 3/4" Grade 5 Bolt
13	1	09-600	1/8" 90° Grease Fitting
14	1	09-407	5/16" Latch Pin
15	1	09-105	5/16" Flat Washer
16	2	09-303	5/16"-18 x 1 1/2" Grade 5 Bolt
17	2	09-102	3/8" Lock Washer
18	1	FH36-A-12	Turntable Brake Handle Assembly
19	1	FH36-A-13	Turntable Brake Stop Arm Assembly

ITEM	QTY	PART NUMBER	DESCRIPTION
20	1	FH-518	Brake Rod
21	1	FH-547	Brake Rod Spacer
22	1	09-409	Knob Spring
23	2	FH-A-4	Drive Forward Outrigger
24	1	FH36-A-7	Upper Drive Forward Arm Pocket Assembly
25	1	FH-538	Drive Forward Arm
26	1	FHS99	Chain Link Stretcher
27	2	09-425	Bent Pin
28	2	09-103	1/2" Lock Washer
29	2	09-317	1/2" -13 x 1 1/2" Grade 5 Bolt
30	1	02-6016	Relief and Holding Valve Assembly
31	1	02-634	Detroit Bi-Directional Relief Cartridge
32	2	FH-A-6	Supply Hose Assembly
33	2	02-2114	1/2" Male Pipe x 1/2" Female Pipe Street 45°
34	1	02-221	1/2" Female Disconnect
35	1	02-222	1/2" Male Disconnect
37	1	FH36-A-9	Left Cylinder Hose
37	1	FH36-A-10	Right Cylinder Hose
38	2	02-708	Hydraulic Cylinder 2" bore x 4" Stroke
39	1	Hanger	Hog Hanger

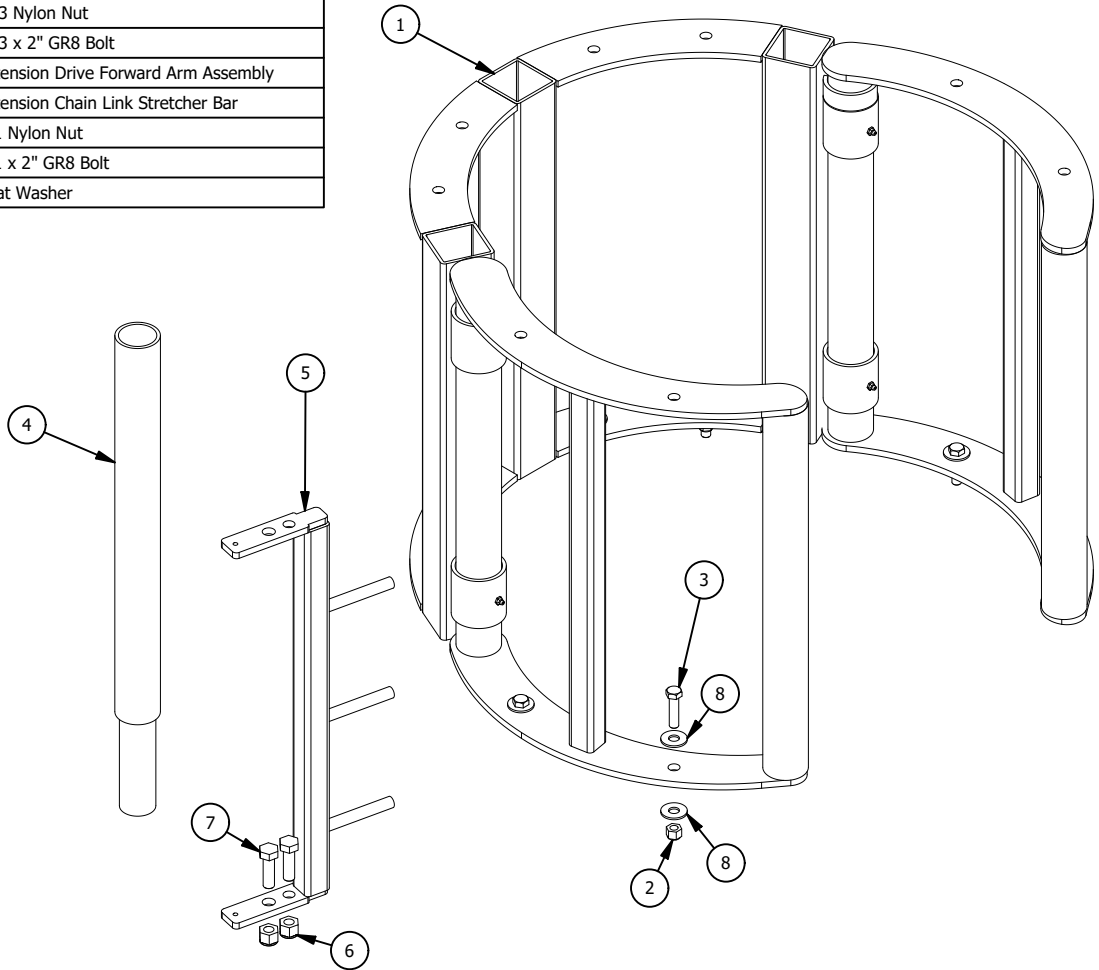


FH08-36-CLS

FH24-2X (24" - 2 FT. EXTENSION)

ITEM	QTY	PART NUMBER	DESCRIPTION
1	1	FH24-2X-A-1	2ft. Extension Welded Frame and Gate Assembly
2	8	09-208	1/2" -13 Nylon Nut
3	8	09-328	1/2" -13 x 2" GR8 Bolt
4	1	FH-A-5	2ft. Extension Drive Forward Arm Assembly
5	1	FHS-A-4	2ft. Extension Chain Link Stretcher Bar
6	2	09-210	5/8"-11 Nylon Nut
7	2	09-362	5/8"-11 x 2" GR8 Bolt
8	16	09-107	1/2" Flat Washer

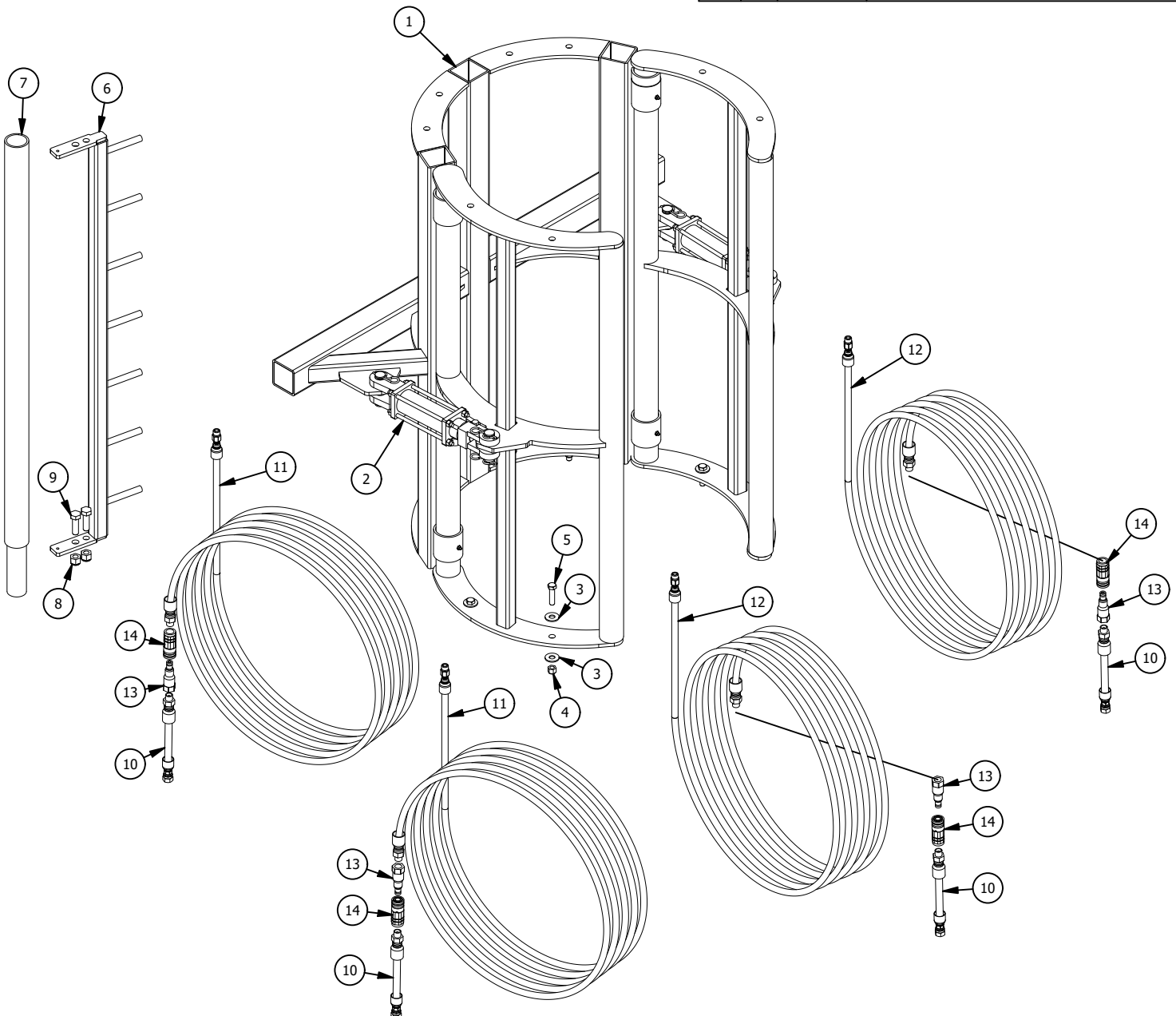
FH24-2X



FH24-4X (24" - 4 FT. EXTENSION)

FH24-4X

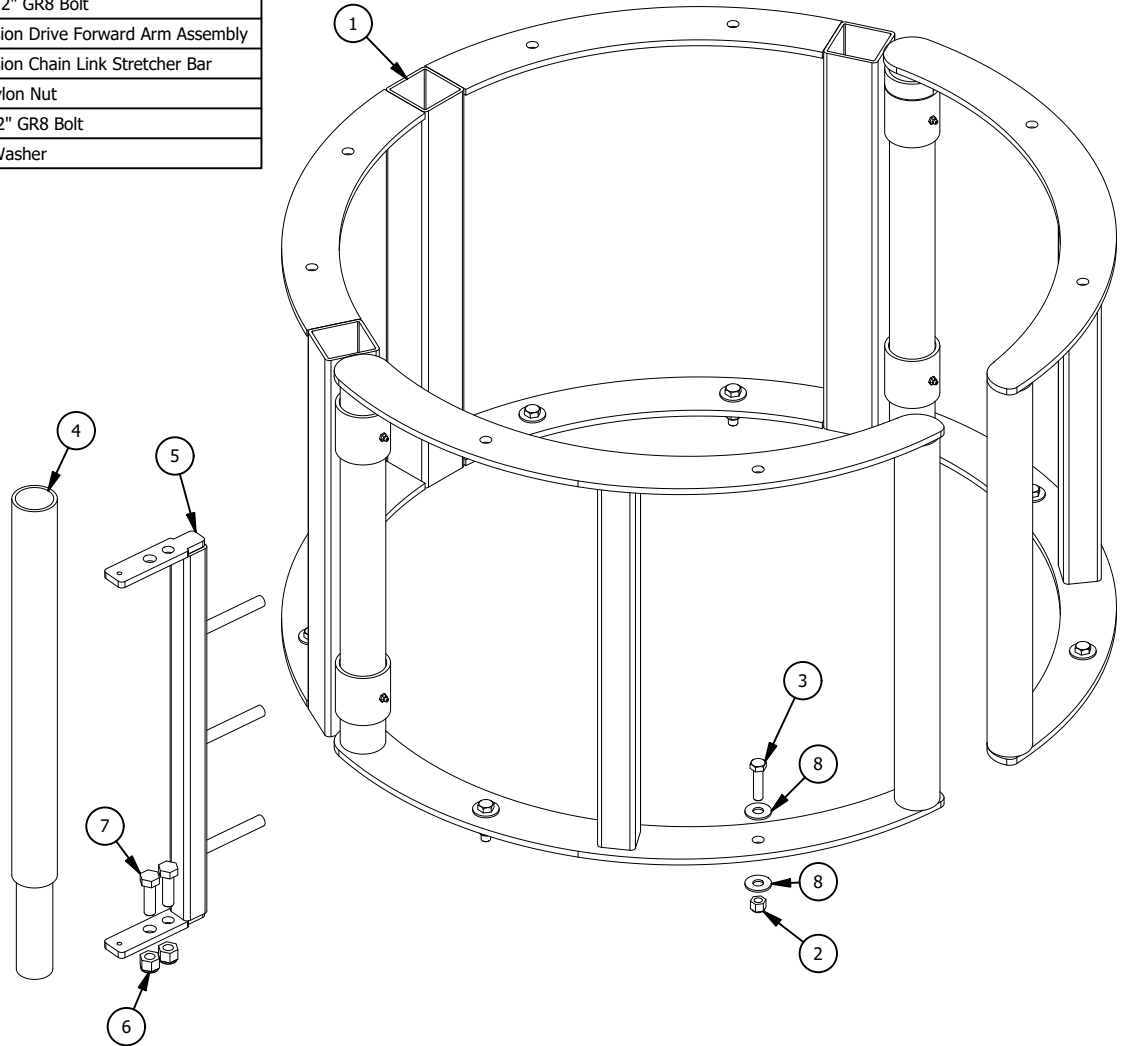
ITEM	QTY	PART NUMBER	DESCRIPTION
1	1	FH24-4X-A-1	4ft. Extension Welded Frame and Gate Assembly
2	2	02-708	Hydraulic Cylinder
3	16	09-107	1/2" Flat Washer
4	8	09-208	1/2" -13 Nylon Nut
5	8	09-328	1/2" -13 x 2" GR8 Bolt
6	1	FHS-A-5	4ft. Extension Chain Link Stretcher Bar
7	1	FH-A-8	4ft. Extension Drive Forward Arm Assembly
8	2	09-210	5/8"-11 Nylon Nut
9	2	09-362	5/8"-11 x 2" GR8 Bolt
10	4	FH-A-12	4ft. Extension Hose Assembly
11	2	FH-A-13	4ft. Extension Left Cylinder Hose Assembly
12	2	FH-A-14	4ft. Extension Right Cylinder Hose Assembly
13	4	02-2117	Male QD Coupler-Conn Pres 3/8"Body-1/2"NPT
14	4	02-2118	Female QD Coupler - 3/8 Body With 1/2" NPT



FH36-2X (36" - 2 FT. EXTENSION)

ITEM	QTY	PART NUMBER	DESCRIPTION
1	1	FH36-2X-A-1	2ft. Extension Welded Frame and Assembly
2	8	09-208	1/2" -13 Nylon Nut
3	8	09-328	1/2" -13 x 2" GR8 Bolt
4	1	FH-A-5	2ft. Extension Drive Forward Arm Assembly
5	1	FHS-A-4	2ft. Extension Chain Link Stretcher Bar
6	2	09-210	5/8"-11 Nylon Nut
7	2	09-362	5/8"-11 x 2" GR8 Bolt
8	16	09-107	1/2" Flat Washer

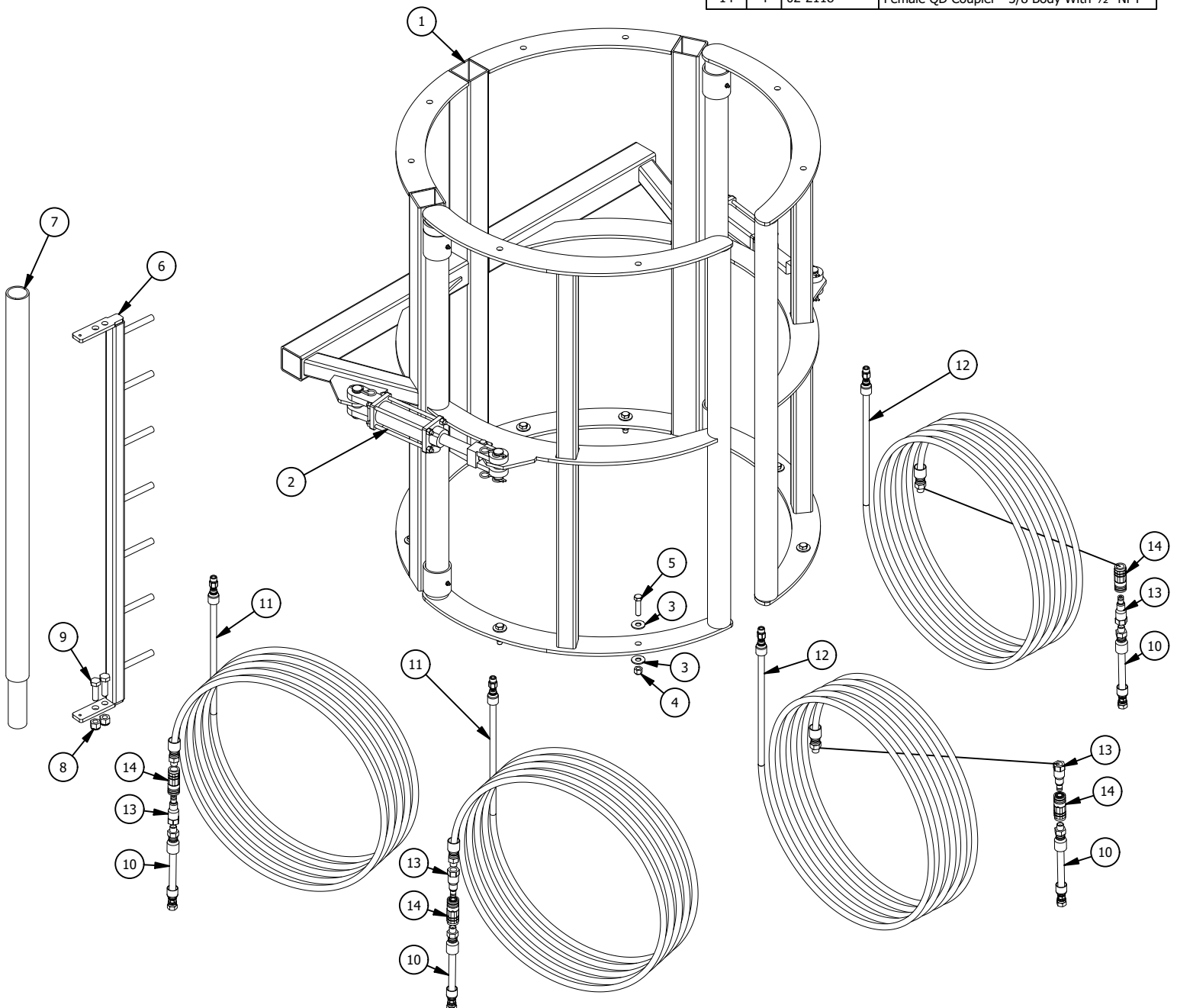
FH36-2X



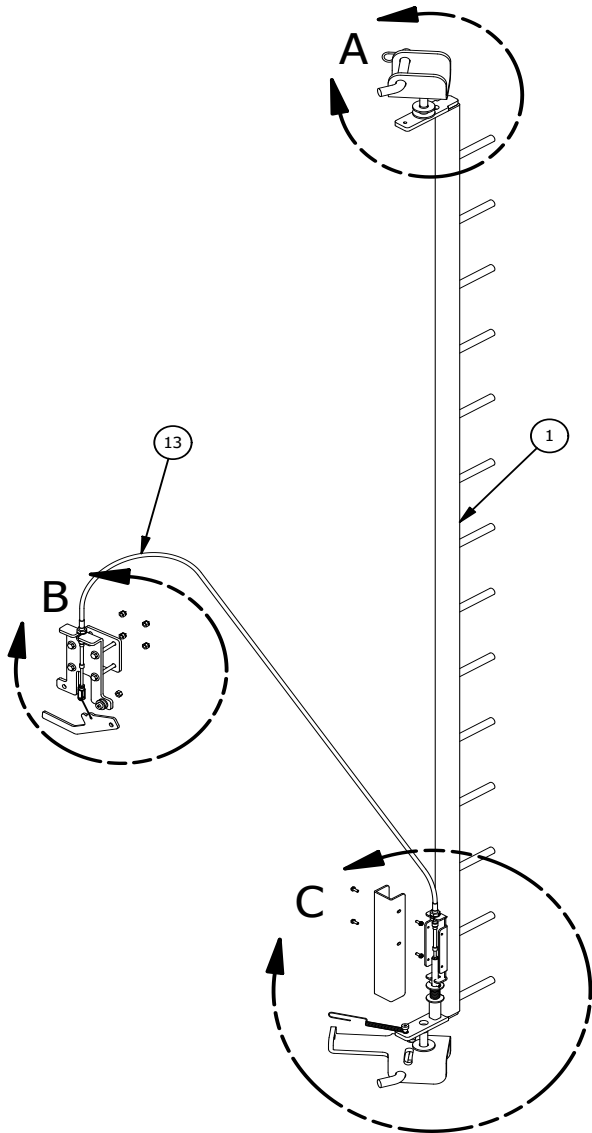
FH36-2X (36" - 4 FT. EXTENSION) FT. EXTENSION)

FH36-4X

ITEM	QTY	PART NUMBER	DESCRIPTION
1	1	FH36-4X-A-1	Welded Frame and Gate Assembly
2	2	02-708	Hydraulic Cylinder
3	16	09-107	1/2" Flat Washer
4	8	09-208	1/2" -13 Nylon Nut
5	8	09-328	1/2" -13 x 2" GR8 Bolt
6	1	FHS-A-5	4ft Extension Chain Link Stretcher Bar
7	1	FH-A-8	4ft Drive Forward Arm Assembly
8	2	09-210	5/8"-11 Nylon Nut
9	2	09-362	5/8"-11 x 2" GR8 Bolt
10	4	FH-A-12	4Ft. Extension Hose Assembly
11	2	FH-A-13	4ft Extension Left Cylinder Hose Assembly
12	2	FH-A-14	4ft Extension Right Cylinder Hose Assembly
13	4	02-2117	Male QD Coupler-Conn Pres 3/8"Body-1/2"NPT
14	4	02-2118	Female QD Coupler - 3/8 Body With 1/2" NPT

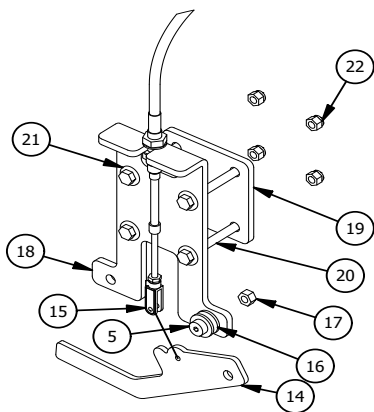


FHS99

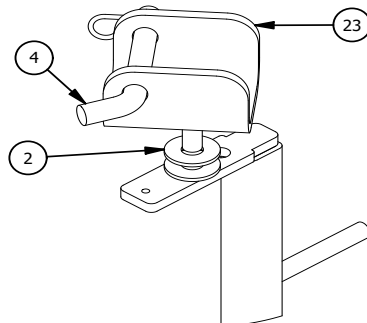


ITEM	QTY	PART NUMBER	DESCRIPTION
1	1	FHS-A-1	Chain link Stretcher Welded Assembly
2	3	09-109	5/8" Flat Washer
3	1	FHS-A-3	Stretcher Lower Mount
4	2	09-425	Bent Pin
5	2	09-361	3/8" x 3/8" x 5/16" Thread Shoulder Screw
6	1	09-800	Return Spring
7	1	FHS-10	Stretcher Lower Cable Guard
8	4	09-352	#10-32 x 1/2" Thread Cutting Screw
9	2	09-107	1/2" Flat Washer
10	1	09-801	Latch Spring
11	1	09-417	1/4" x 1" Roll Pin
12	1	FHS-11	Latch Pin
13	1	09-802	Control Cable
14	1	FHS-8	Stretcher Handle
15	1	09-803	Cable Clevis
16	2	09-105	5/16" Flat Washer
17	1	09-203	5/16" - 18 Nut
18	1	FHS-6	Stretcher Handle Mount Plate
19	1	FHS-7	Stretcher Backing Plate
20	4	09-306	5/16" - 18 x 3" Grade 5 Bolt
21	4	09-104	1/4" Flat Washer
22	4	09-202	5/16"-18 Nylon Nut
23	1	FHS-A-2	Stretcher Upper Mount

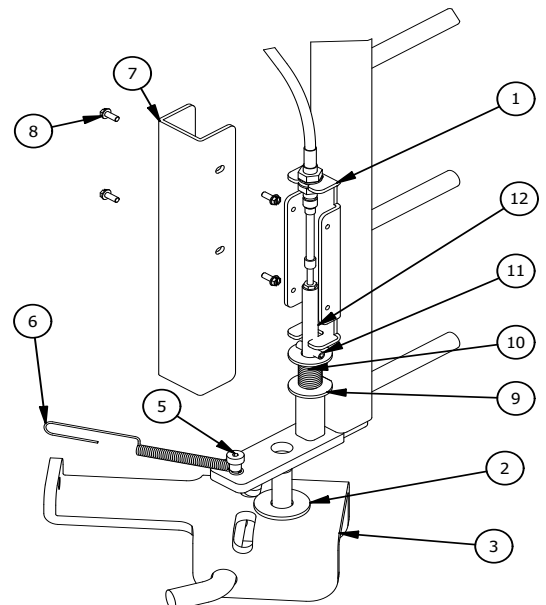
DETAIL B



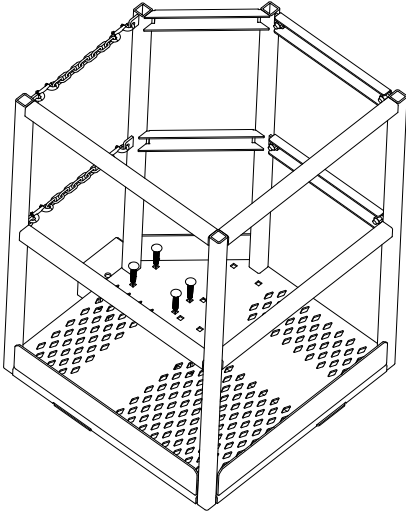
DETAIL A



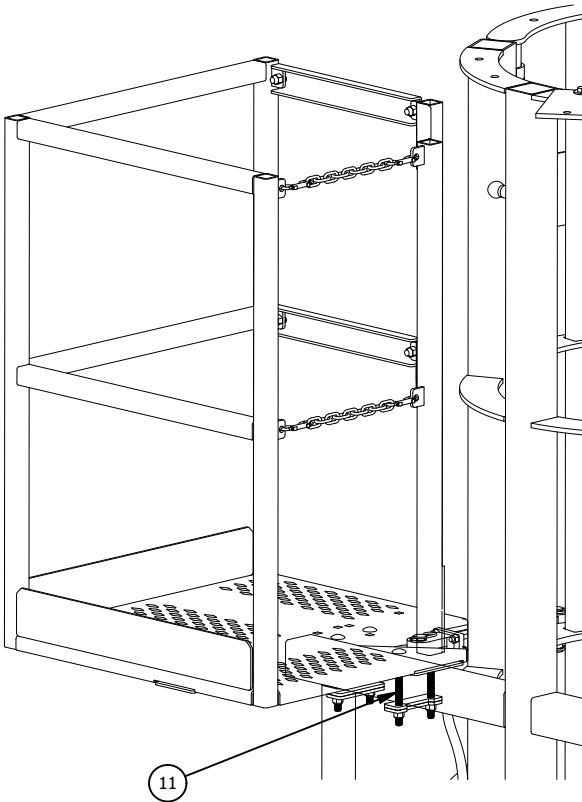
DETAIL C



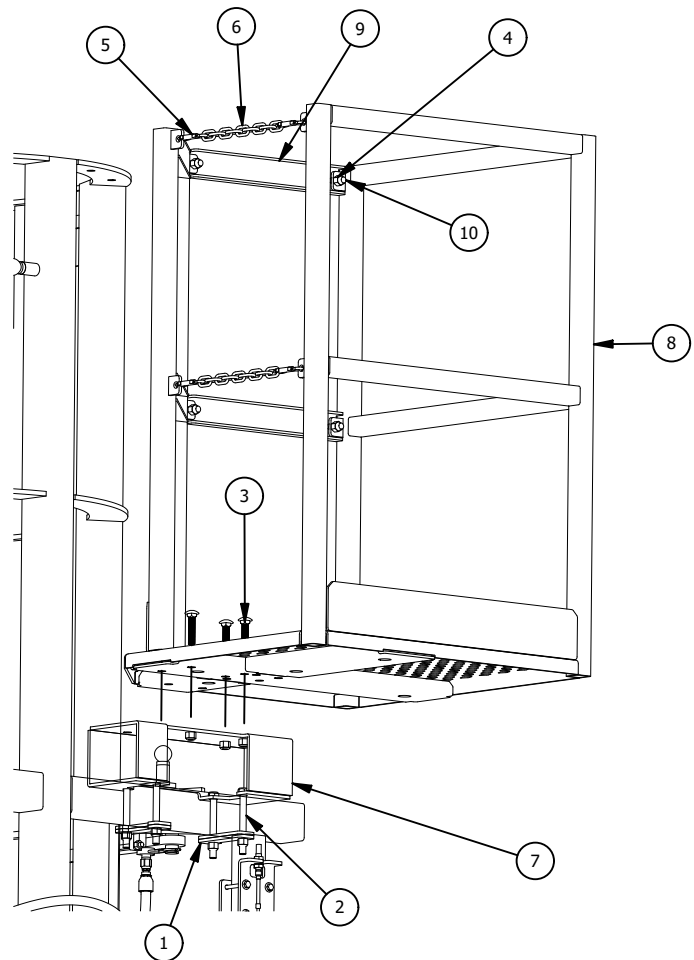
FHWP



ITEM	QTY	PART NUMBER	DESCRIPTION
1	4	FH-WP-12	Mount Plate
2	4	09-381	1/2" -13 x 5" Grade 8 (Zinc)
3	4	09-396	1/2" -13 x 2 1/2" Grade 5 Carriage Bolt
4	16	09-208	1/2" -13 Nylon Nut
5	4	09-806	Spring Snap Chain Clip
6	2	20-111	3/16" Chain 1 1/2' long
7	1	FHWP-A-2	Welded Bracket Assembly
8	1	FHWP-A-1	Welded Platform Assembly
9	2	FH-WP-4	Removable Cross Bar
10	4	09-316	1/2"-13 x 1 1/4" GR5 Bolt
11	4	09-397	1/2" -13 x 6" Grade 5 Carriage Bolt



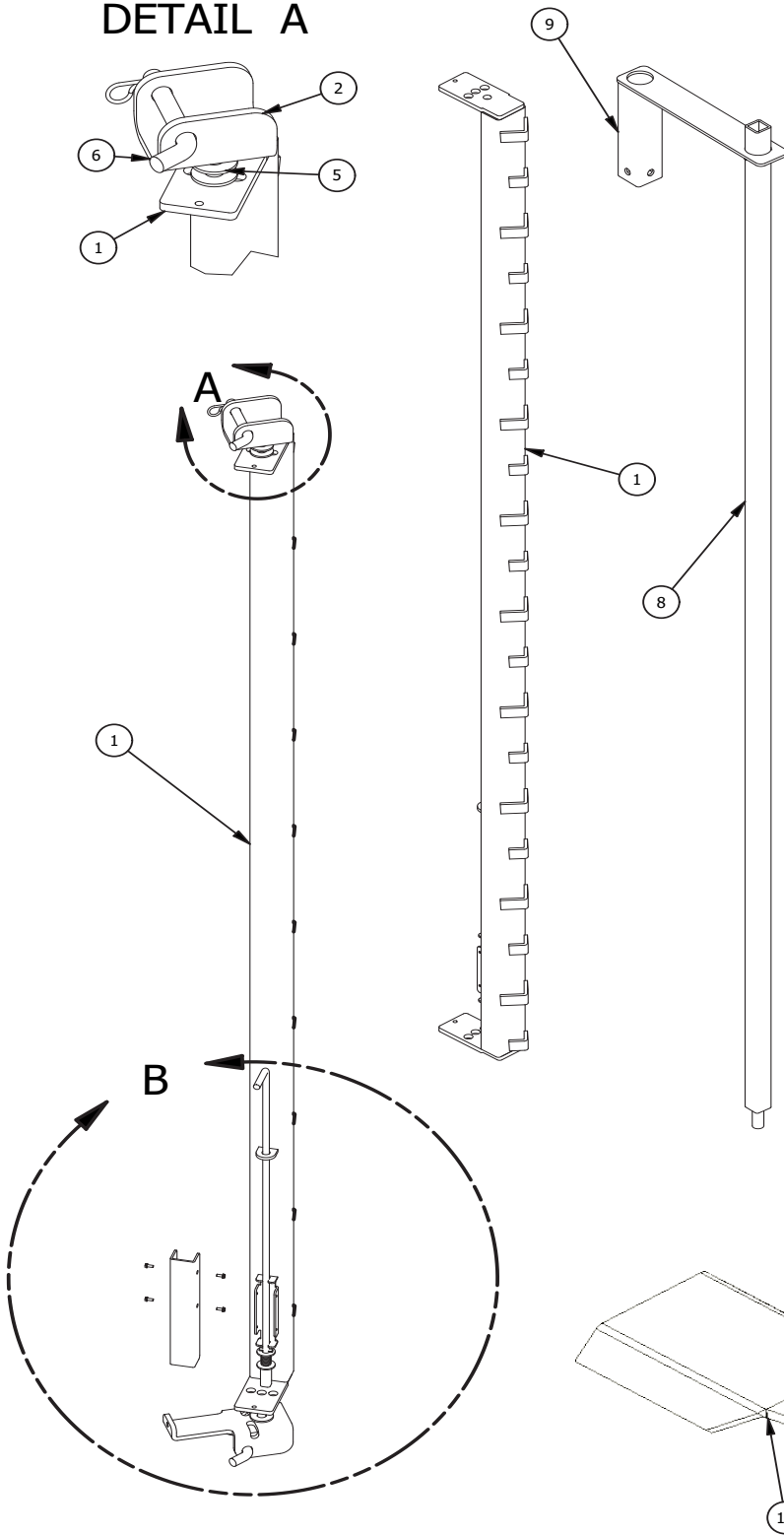
LEFT SIDE



RIGHT SIDE

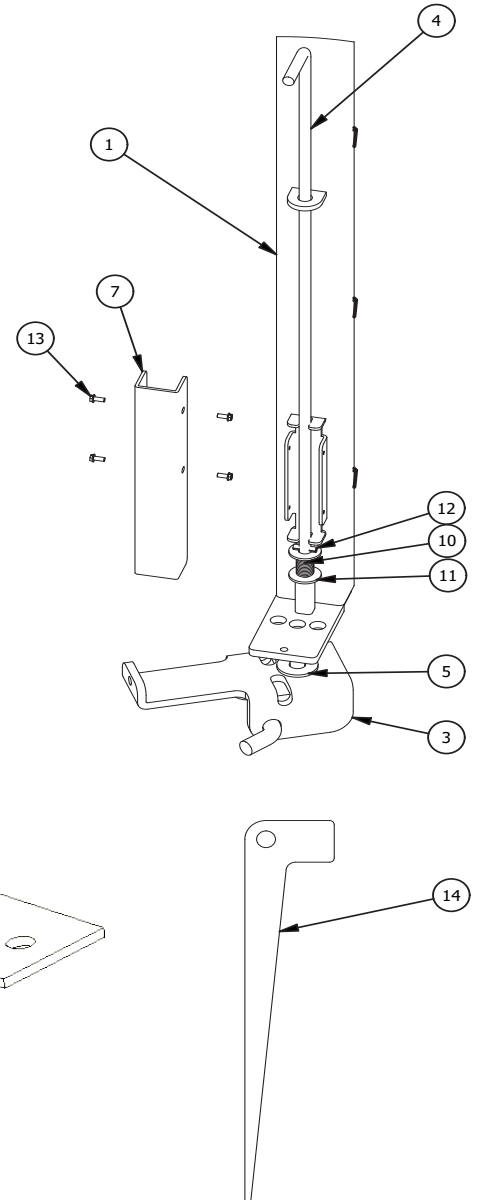
FHWS99-24 (WOVEN WIRE STRETCHER)

DETAIL A



ITEM	QTY	PART NUMBER	DESCRIPTION
1	1	FHS-A-7	Woven Wire Stretcher Welded Assembly
2	1	FHS-A-2	Stretcher Upper Mount
3	1	FHS-A-3	Stretcher Lower Mount
4	1	FHS-17	Woven Wire Stretcher Handle
5	3	09-109	5/8" Flat Washer
6	2	09-425	Bent Pin
7	1	FHS-10	Stretcher Lower Cable Guard
8	1	FH-A-2	Woven Wire Centering Bar
9	1	FH24-A-3	Roll Centering Rod Support Assembly
10	1	09-801	Latch Spring
11	2	09-107	1/2" Flat Washer
12	1	09-417	1/4" x 1" Roll Pin
13	4	09-352	#10-32 x 1/2" Thread Cutting Screw
14	10	FH-24-35	Woven Wire Stretcher Wedge
15	1	FH-24-34	Field Fence Shoe

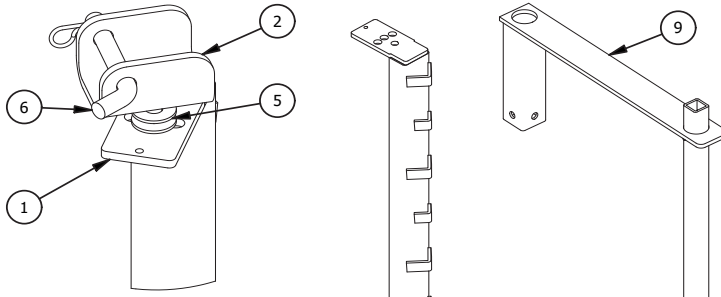
DETAIL B



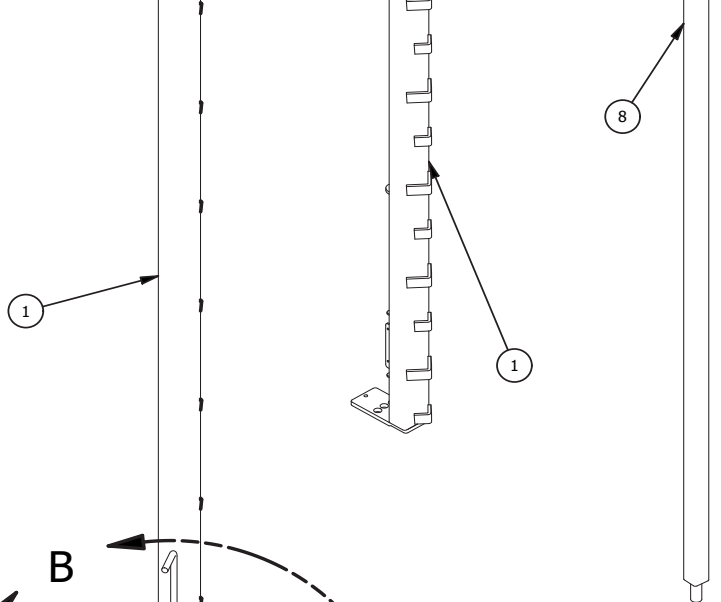
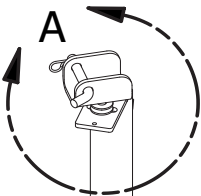
FHWS99-24

FHWS99-36 (WOVEN WIRE STRETCHER)

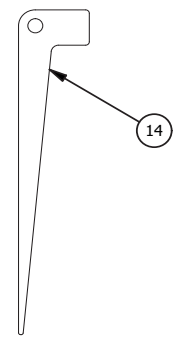
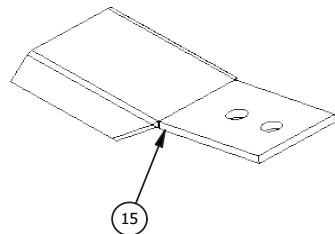
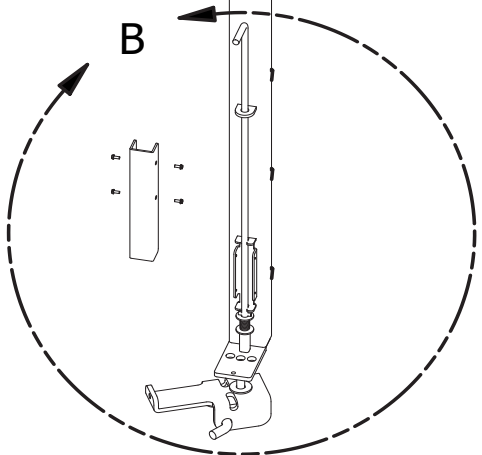
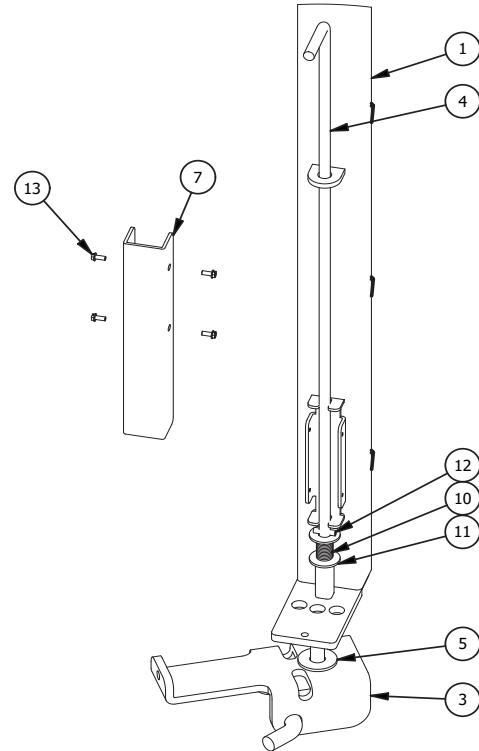
DETAIL A



ITEM	QTY	PART NUMBER	DESCRIPTION
1	1	FHS-A-7	Woven Wire Stretcher Welded Assembly
2	1	FHS-A-2	Stretcher Upper Mount
3	1	FHS-A-3	Stretcher Lower Mount
4	1	FHS-17	Handle For Woven Wire Stretcher
5	3	09-109	5/8" Flat Washer
6	2	09-425	Bent Pin
7	1	FHS-10	Stretcher Lower Cable Guard
8	1	FH-A-2	Woven Wire Centering Bar
9	1	FH36-A-3	Roll Centering Rod Support
10	1	09-801	Latch Spring
11	2	09-107	1/2" Flat Washer
12	1	09-417	1/4" x 1" Roll Pin
13	4	09-352	#10-32 x 1/2" Thread Cutting Screw
14	10	FH-24-35	Woven Wire Stretcher Wedge
15	1	FH-24-34	Field Fence Shoe

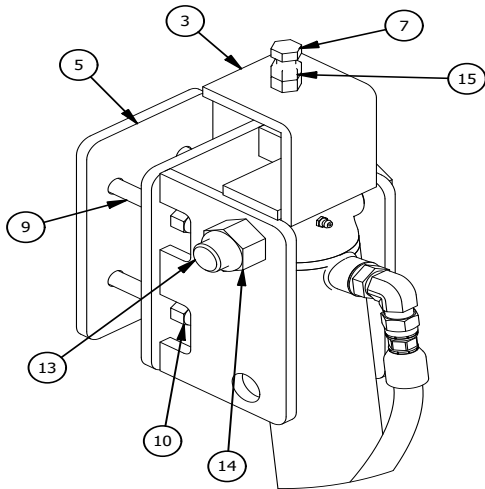


DETAIL B



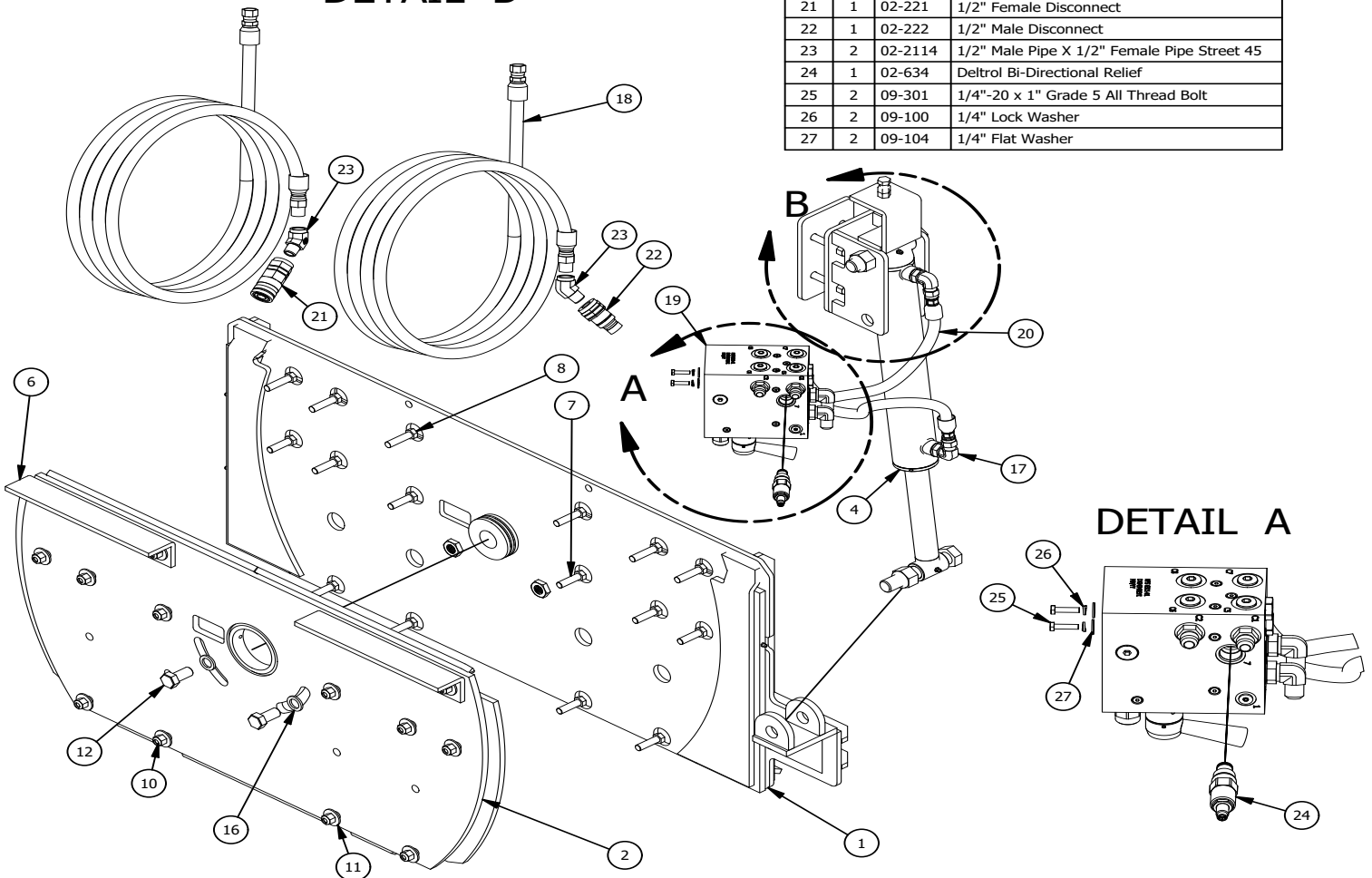
FHWS99-36

TILT



DETAIL B

ITEM	QTY	PART NUMBER	DESCRIPTION
1	1	TA-A-2	Back Half Mount Plate Assembly
2	1	TA-A-3	Front Half Mount Plate Assembly
3	1	TA-A-1	Upper Cylinder Mount Assembly
4	1	02-704	Hydraulic Cylinder
5	1	TA-7	Upper Cylinder Mount Back Plate
6	2	TA-27	Bolt on Stiffener Angle
7	11	09-325	1/2"-13 x 1 3/4" Grade 5 Bolt
8	6	09-365	1/2"-13 x 2" Grade 8 Bolt
9	4	09-318	1/2" -13 x 3 1/2" Grade 5 Bolt
10	20	09-208	1/2" -13 Nylon Nut
11	16	09-107	1/2" Flat Washer
12	2	09-329	3/4"-10 X 1 1/2" Grade 8 Bolt
13	2	09-3030	1" x 8" Grade 8 BOLT
14	2	09-213	1"-8 Nylon Nut
15	1	09-209	1/2" -13 Nut
16	2	TA-24	Tilt Washer
17	2	02-277	1/2" JICM to 1/2" ORM 90° Adapter
18	2	FH-A-6	Supply Hose
19	1	TA-A-17	Tilt Manual Select Complete Valve Kit
20	2	TA-A-15	Top Cylinder Hose Assembly
21	1	02-221	1/2" Female Disconnect
22	1	02-222	1/2" Male Disconnect
23	2	02-2114	1/2" Male Pipe X 1/2" Female Pipe Street 45
24	1	02-634	Deltrol Bi-Directional Relief
25	2	09-301	1/4"-20 x 1" Grade 5 All Thread Bolt
26	2	09-100	1/4" Lock Washer
27	2	09-104	1/4" Flat Washer



DETAIL A

WARRANTY

Limited Warranty

The manufacturer warrants that products manufactured shall be free from defects in material and workmanship that develop under normal use for a period of one year on all products from the date of shipment. The foregoing shall be the exclusive remedy of the buyer and the exclusive liability of the manufacturer. Our warranty excludes normal replaceable wear items, i.e. gaskets, wear parts, seals, O-rings, belts, drive chains, clutches, etc. Any equipment, part or product which is furnished by the manufacturer but manufactured by another, bears only the warranty given by such other manufacturer. (Manufacturer agrees to furnish free of charge a written description of problem or cause.) Warranty is voided by product abuse, alterations, use of equipment in applications for which it was not intended, use of non-manufacturer parts, or failure to follow documented service instructions. The foregoing warranty is exclusive of all other warranties whether written or oral, expressed or implied. No warranty of merchantability or fitness for a particular purpose shall apply. The agents, dealers, and employees of Manufacturer are not authorized to make modifications to this warranty, or additional warranties binding on the Manufacturer. Therefore, additional statements, whether oral or written, do not constitute warranty and should not be relied upon.

The Manufacturer's sole responsibility for any breach of the foregoing warranty provisions, with respect to any product or part not conforming to the Warranty or the description herein contained, is at its option (a) to repair, replace, or refund such product or parts upon the prepaid return thereof to location designated specifically by the Manufacturer. Product returns not shipped prepaid will be refused (b) as an alternative to the foregoing modes of settlement - the Manufacturer's dealer may repair defective units with reimbursement for expenses. A written description of problem or cause must accompany all warranty claims.

Except as set forth here in above and without limitation of the above, there are no warranties or other affirmation which extend beyond the description of the products on the fact here of, or as to operational efficiency, product reliability, or maintainability or compatibility with products furnished by others. In no event, whether as a result of breach of contract or warranty or alleged negligence, shall the Manufacturer, be liable for special or consequential damages including but not limited to: Loss of profits or revenue, loss of use of the product or any associated product, cost of capital, cost of substitute products, facilities or services or claims of customers. Manufacturer does not assume responsibility for any accident due to equipment modification.

No claim will be allowed for products lost or damaged in transit. Such claims should be filed with the carrier within fifteen days.

Effective July 20, 2005

EZG Manufacturing is the exclusive manufacturer of the patented Grout Hog® Grout Delivery System the Mud Hog® Hydraulic Mixing Station, the Hog Trough® mud pan, the Hog Cart™, the Hog Slopper™, the Booger Hog® Wall Scrubber, the Hog Leg® Wall Brace System, and the Hog Crusher™ Material Recycling System.

WARRANTY REGISTRATION

Fax Warranty Registration form to 740-962-2037
or submit online at www.ezgmfg.com by clicking on
"Products" then "Warranty Cards"

CONTACT: _____
COMPANY: _____
ADDRESS: _____
CITY: _____ STATE _____ ZIP _____
PHONE: _____ FAX _____ CELL _____
EMAIL: _____
PURCHASED FROM: Direct Distribution _____
PURCHASED DATE: _____ SERIAL NO. _____

PLEASE COMPLETE THIS WARRANTY CARD AND RETURN VIA MAIL, FAX OR E-MAIL
WITHIN 30 DAYS OF PURCHASE TO VALIDATE YOUR MANUFACTURER'S WARRANTY
FOR ALL EZG MANUFACTURING PRODUCTS.

WARRANTY PROVISIONS OF THIS MACHINE ARE HANDLED DIRECTLY THROUGH
THE MANUFACTURER.

EZG MANUFACTURING * 1833 North Riverview Road, Malta, OH 43758 *
PHONE 1-800-417-9272 * Email: warranty@ezgmfg.com * FAX 740-962-2037

Please take a minute to fill out the survey below so that we better serve our customers.

EZ Survey

- WHERE DID YOU FIRST HEAR ABOUT EZG MANUFACTURING (CHECK ONE)
 Masonry Magazine Website Newsletter Referral Masonry Construction
 Other: _____
- WHAT INFLUENCED YOU TO BUY? QUALITY PRICE EASY TO USE OTHER
- WHO IS YOUR SALES REPRESENTATIVE? _____
- ARE YOU SATISFIED WITH THE CUSTOMER SERVICE YOU RECEIVED? YES NO
Explain: _____

- WHAT OTHER EZG MANUFACTURING PRODUCTS DO YOU OWN?

- WOULD YOU LIKE TO BE FEATURED IN OUR NEWSLETTER? YES NO
If yes, where can we reach you and what is the best time?

Comments: _____

