



Before using this Mud Hog®,
study and understand entire
Owner's Manual.

Serial Number _____



MH9 9ft³ (0.25m³)
Mud Hog®
Mixing Station
Owner's Manual



Mud Hog®
EZG MANUFACTURING
1-800-417-9272

EZG Manufacturing
405 Watertown Road
Waterford, Ohio 45786
(740) 749-3512 or 1-800-417-9272
Fax (740) 962-2037 www.ezgmfg.com

TABLE OF CONTENTS

INTRODUCTION.....	3
ABOUT THIS MANUAL.....	3
GENERAL INFORMATION.....	3
SAFETY INFORMATION.....	3
SAFETY PRECAUTIONS.....	4-5
CALIFORNIA PROPOSITION 65 WARNING.....	6
SETUP INSTRUCTIONS.....	6
OPERATING INSTRUCTIONS.....	7
DAILY MAINTENANCE.....	7
OBTAINING SPARE PARTS.....	8
CLEANUP.....	8
SERVICE RECORDS.....	8
WARNING LABELS AND LOCATIONS.....	9
FRAME ASSEMBLY.....	10
HYDRAULIC ASSEMBLY.....	11
SHAFT ASSEMBLY.....	12
GREASE FITTING LOCATION.....	13
OPTIONAL ELECTRICAL MOTOR DETAILS.....	14
NOTES.....	14
WARRANTY.....	15
WARRANTY REGISTRATION.....	16

INTRODUCTION

Congratulations on purchasing one of the finest pieces of masonry equipment on the market today! If this is your first EZG Manufacturing product, you will not be disappointed. If you have previously owned an EZG Manufacturing product you will find the same high quality and dependability that you have come to expect from EZG Manufacturing.

ABOUT THIS MANUAL

The purpose of this manual is to inform the owner/employer/and the operator, how to safely operate this piece of equipment, and make them aware of any hazards. It also contains important information regarding assembly, set up, operation, and maintenance. It is the Owner/Employers responsibility to make sure that anyone who operates this machine understands all safety warnings. If you do not understand any items in this manual, please contact the dealer where this product was purchased, or the manufacturer at the number listed throughout this manual. If you have any suggestions about how to make this manual easier to understand, contact the manufacturer. Keep this manual available for reference wherever this piece of equipment is being used and make it available to any operators.

GENERAL INFORMATION

Illustrations in this manual may show details or components that may not be the same as your machine. Continuing improvements to the design of this machine may have caused changes that are not included in this manual. The information in this document is subject to change without notice.

SAFETY INFORMATION

The following safety symbols and signal words will be used throughout this manual and on the product, for your safety and the safety of others, please become familiar with their meaning and heed their warnings.



This symbol, either used alone or with a signal word, is used to call your attention to instructions involving your safety and/or the safety of others. Failure to follow these instructions will likely result in personal injury or death.



DANGER

This signal word is used to identify a hazard which, if not avoided, will result in death or serious injury.



WARNING

This signal word is used to identify a hazard which, if not avoided, could result in death or serious injury.



CAUTION

This signal word is used to identify a hazard which, if not avoided, could result in minor or moderate injury.

NOTICE

This signal word is used to identify a hazard which, if not avoided, could result in property or equipment damage. It also may be used for special instructions related to performance, maintenance or general items.

SAFETY PRECAUTIONS



WARNING

Failure to obey the following safety instructions could result in DEATH or SERIOUS INJURY.

Read and understand entire manual before operating the Mud Hog®

For your safety and the safety of others, replace any missing or damaged warning decals by contacting the manufacturer at 1-800-417-9272.

Make sure anyone operating the Mud Hog® is thoroughly familiar with its operation. Keep all unauthorized and untrained personnel, especially children away from Mud Hog®.

Never operate machine with safety grate, guards or safety devices removed or open. Do not alter any safety guards.

Stay clear of mixing paddles while machine is running. Keep all body parts, clothing, jewelry and solid objects away from all moving parts.

Never perform any work on the Mud Hog® while it is running. Before working on or cleaning the Mud Hog®, shut off engine and disconnect spark plug wire.

Never operate the Mud Hog® under the influence of alcohol, drugs, or medications.

This Mud Hog® has been designed and built as a material mixing station, and should not be used for anything other than its intended purpose.

Consult forklift manufacturers specifications to insure load capacity is not exceeded.

Model	Empty Weight	Max Gross Weight
MH9	1325Lbs.(601.0kg)	2675lbs.(1213.4kg)

Do not exceed Maximum Gross Weight

Never stand under an elevated Mud Hog®.

Stay clear of moving parts while machine is in operation.

When towing, refer to vehicle manufactures specs to insure load capacity is not exceeded.

Always check axle,tires, and safety chains before towing Mud Hog®.

Always cross and connect safety chains before towing Mud Hog®.

Never attempt to ride the Mud Hog®.

SAFETY PRECAUTIONS



WARNINGS continued

Operate only in properly vented environments. The mixer requires a free flow of air and emits carbon monoxide gas.

Avoid breathing dust produced while using the Mud Hog®. Dust may contain crystalline silica and may cause serious health problems.

Do not operate near combustible materials.

Do not smoke around Mud Hog®.

Always know the location of nearest fire extinguishers, first aid kit, and emergency personnel phone numbers in case of emergency.



CAUTION

Failure to obey the following safety instructions could result in MINOR or MODERATE INJURY.

Inspect all hoses, fasteners, bolts and welds for nicks, cracks, cuts, damage, wear or looseness before each use. Repair as needed.

Always wear approved PPE, including glasses, hearing protection, hard hats, and ventilation masks when operating a Mud Hog®.

Do not use the Mud Hog® as a lifting device or with accessories or attachments not recommended by EZG Manufacturing, as damage to equipment or operator might result.

Avoid contact with hot hydraulic fluid.

Allow system to cool before performing any repairs or service, such as adding fuel or oil.

NOTICE

Use only factory authorized parts.

Used Lubricants such as engine and hydraulic oil, and hazardous waste must be taken to an authorized disposal or recycling center.

Consult Honda® owners' manual for engine maintenance and warnings.

California - Proposition 65 Warning

Engine exhaust and some of its constituents, and some dust created by power sanding, sawing, grinding, drilling, and other construction activities contains chemicals known to the State of California to cause cancer, birth defects and other reproductive harm. Some examples of these chemicals are:

Lead from lead based paints - Crystalline silica from bricks -Cement and other masonry products -Arsenic and chromium from chemically treated lumber

Your risk from these exposures varies, depending on how often you do this type of work. To reduce your exposure to these chemicals: ALWAYS work in a well ventilated area, and work with approved safety equipment, such as dust masks that are specially designed to filter out microscopic particles.

SETUP INSTRUCTIONS

Before operating the Mud Hog® it should be properly set up on the jobsite. The Mud Hog® may be lifted by using a forklift. The MH9 weighs 1325 lbs.(601kg)empty and 2675lbs.(1213.4kg)full. Check forklift ratings before attempting to move the Mud Hog®.

The MH9 Mud Hog® is equipped with (4) legs. When mixing, make sure all legs are in contact with the ground to take as much pressure off the torsion axle as possible.

1. Position the Mud Hog® at point of operation.
2. Disconnect Mud Hog® from towing vehicle.
3. Remove 5/8”(1.6cm) hitch pins from back legs, allowing back legs to touch ground.
4. Lower tongue until mixer is level. Lower tongue further until holes in back legs line up with holes in leg pockets. Reinstall rear leg hitch pins and secure.
5. Lift tongue up until most of the weight is removed from the torsion axle and remove the 5/8”(1.6cm) hitch pins from front legs, allowing front legs to touch the ground.
6. Continue to raise tongue until holes in front legs line up with holes in leg pockets and reinstall hitch pins and secure.
7. Verify that all mixer feet are touching the ground and that the Mud Hog® is level and cannot rock in any direction. If one of the mixer feet is not touching and cannot be adjusted to touch ground, shim under that foot with a board to create solid footing.
8. Perform the daily maintenance as described in the “Daily Maintenance” section of this manual.
9. Check all hydraulic operations using both levers on the hydraulic control valve.

OPERATING INSTRUCTIONS



Warning! This equipment is to be operated by trained and qualified personnel over the age of 18. Death or serious injury can result.

1. Slide forks under the Mud Hog® and place in desired location.
2. Remove pins and adjust legs to desired height and reinsert pins.
See Setup Instructions for proper procedure
3. Start engine.
See engine manuals for proper procedure.

4. Fill with material, add water and mix to desired consistency and dump.

NOTE: In the unlikely event that the mixing paddles plug, momentarily reverse the paddles.



Warning! NEVER put your hands inside mixer drum while equipment is running. Death or serious injury can result.

DAILY MAINTENANCE



Warning! Before performing any described maintenance items, make sure engine is turned off and spark plug wire is disconnected. Death or serious injury can result.

1. Check engine oil daily.
2. For engine maintenance, refer to the engine manufacturer's manual furnished with the Mud Hog®.
3. Check and grease all grease fittings.
(Grease fitting location can be found on the Grease Fitting Location drawing in this manual)
4. Check hydraulic oil level. Add as needed. Change bi-yearly or if contaminated. Change hydraulic filter monthly. Use only recommended premium grade ISO68 Heavy Duty hydraulic oil or equivalent premium grade oil. Do not use contaminated fluid. (Premium grade ISO32 oil may be used in colder climates)
5. For maximum performance, thoroughly clean inside and out at mid-day or lunch break and again at the end of each day's use. Do not allow a buildup of material to form on the blades and seals.
6. Check all hydraulic hoses and equipment for leaks. Fix any leaks before operating the Mud Hog®.
7. Check all welds and bolts. If a cracked weld is found, do not operate the Mud Hog® until repaired by qualified personnel. Tighten any loose bolts.
8. Check Paddle Shaft Seal for excessive wear. If any mortar or concrete is leaking past the seal, change the seals immediately.
9. Check paddle rubbers for wear. Adjust or replace as needed.

OBTAINING SPARE PARTS

Spare parts for your Mud Hog® may be obtained by the following procedure:

1. Record the information from the serial number tag located on the frame near the hydraulic reservoir.
2. Using the parts reference table in this manual, record the part number or component.
3. Contact your local Mud Hog® dealer or EZG Manufacturing at 1-800-417-9272 with the information recorded.

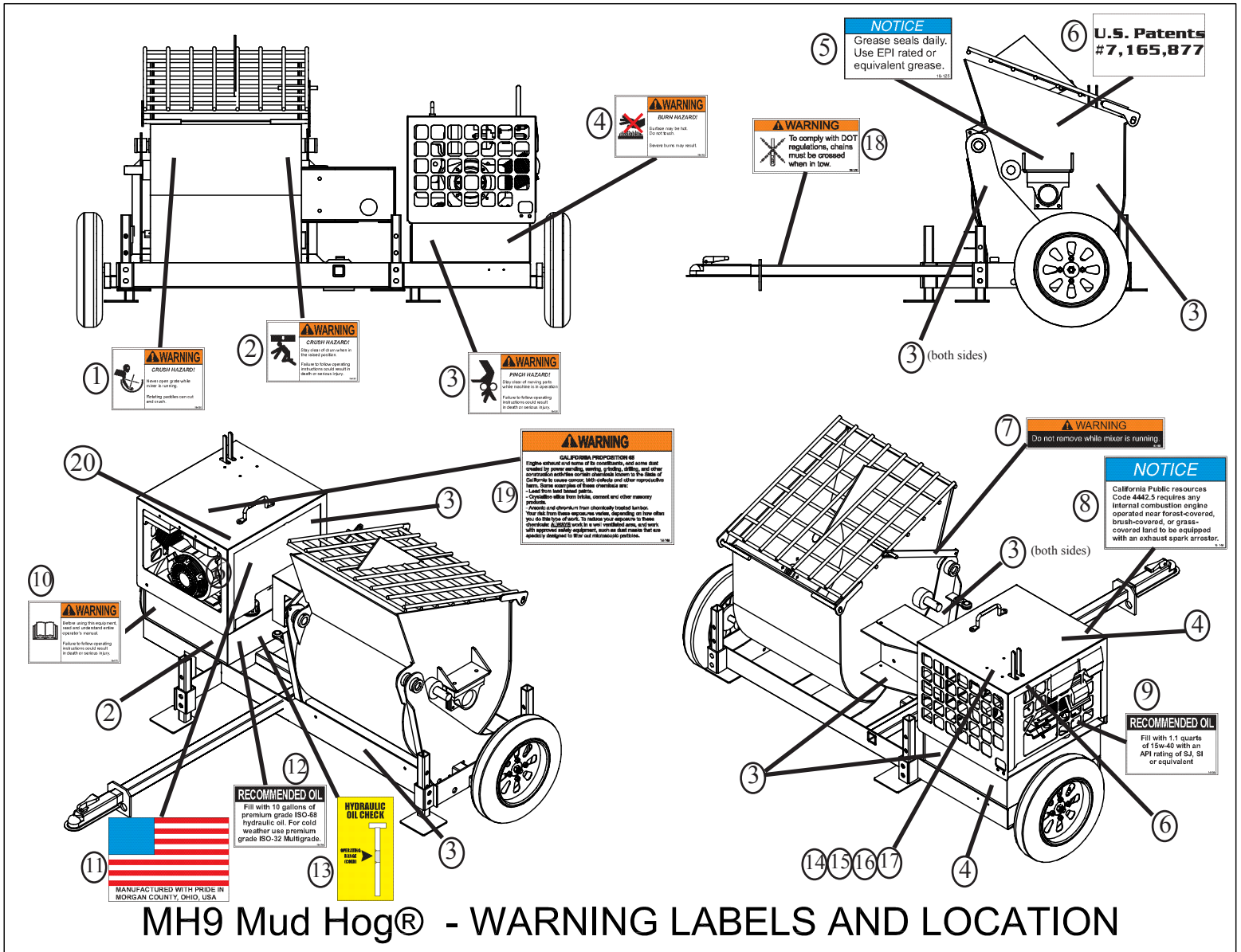
CLEANUP

1. Turn off engine and disconnect spark plug wire.
2. For maximum performance, thoroughly clean inside and out at mid-day or lunch break and again at the end of each day's use. Do not allow a buildup of materials to form on the blades and seals.
3. Hose out and brush down mixing drum, then spray and brush paddles until all excess material is removed.
4. Grease the fittings and brush the face of drum seals until clean.

SERVICE RECORDS

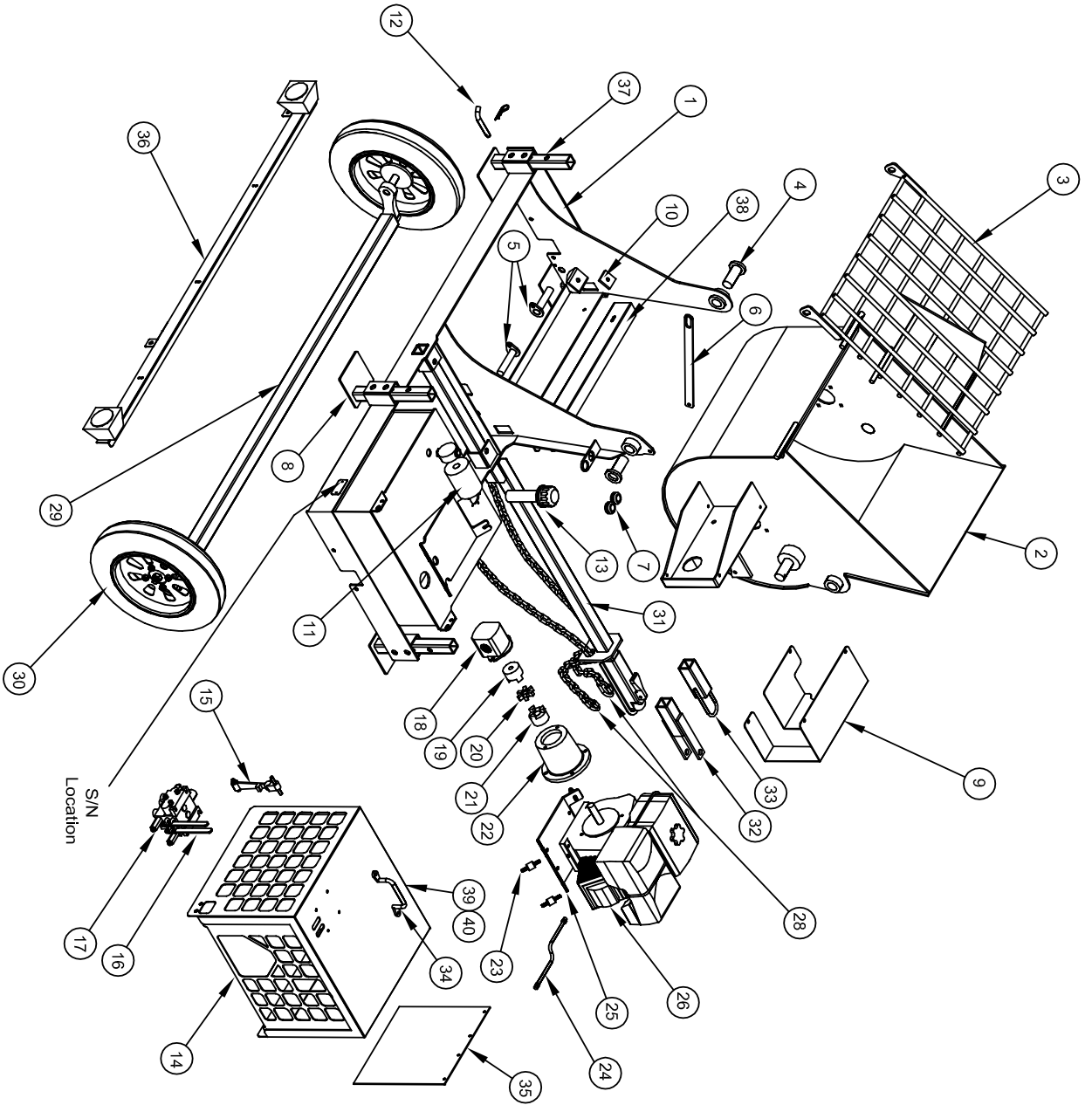
SERVICE PERFORMED	DATE	INITIALS

WARNING LABELS AND LOCATIONS



MH9 Mud Hog® - WARNING LABELS AND LOCATION

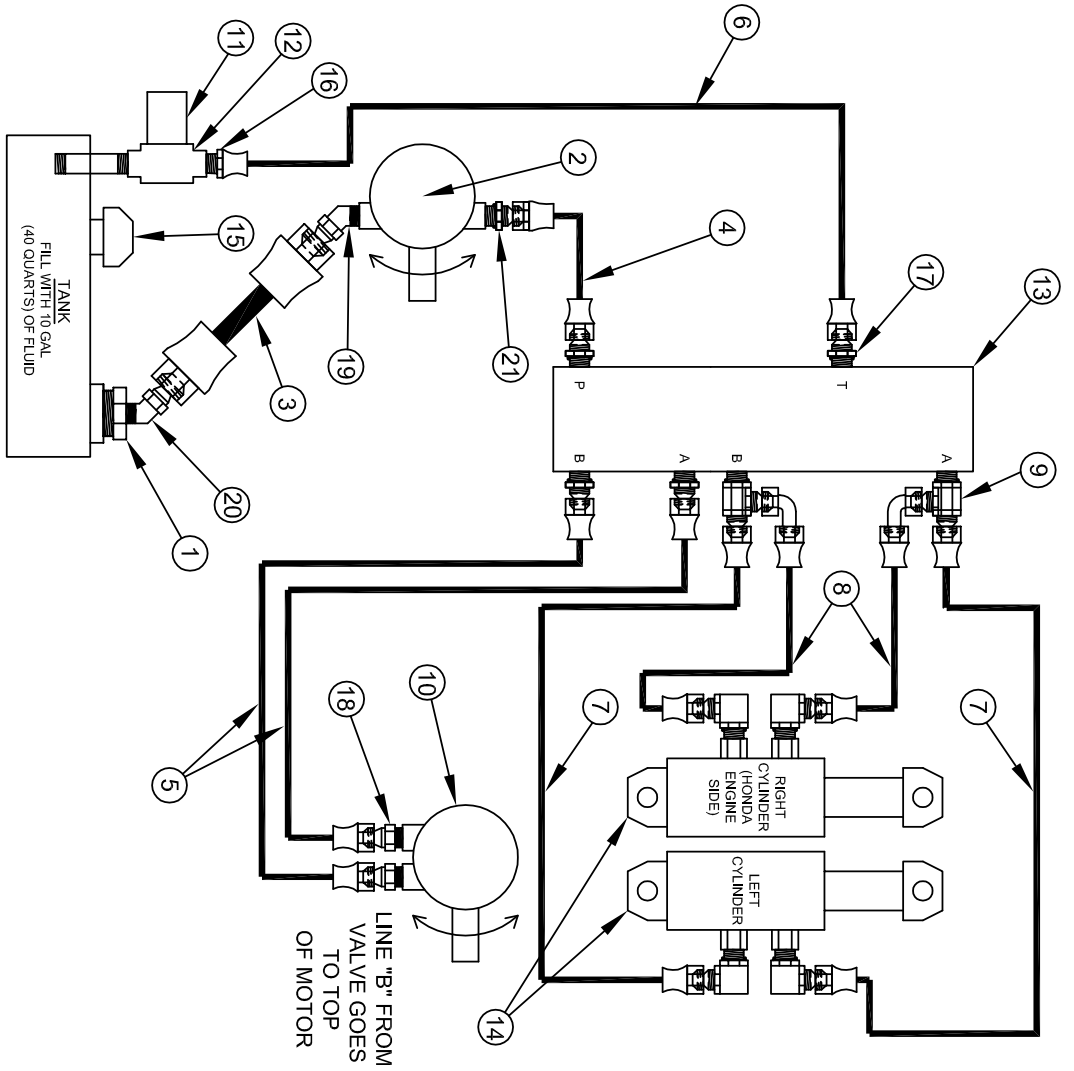
ITEM	PART NUMBER	DESCRIPTION	QTY
1	16-159	Never Open Grate Decal	1
2	16-121	Stay Clear of Drum Decal	2
3	16-131	Small Pinch Point Decal	9
4	16-112	Hot Surface Decal	2
5	16-125	Grease Seals Daily Decal	2
6	16-157	U.S. Patents Decal	2
7	16-165	Do Not Remove Decal	1
8	16-149	California Public Resources Decal	1
9	16-156	Fill with 1.1 Quart Decal	1
10	16-177	Read Owners Manual Decal	1
11	16-106	U.S. Flag Decal	1
12	16-178	Fill with 10 Gallons Decal	1
13	16-113	Check Hydraulic Oil Level Decal	1
14	16-150	Push to Lower/Pull to Dump	1
15	16-161	Push for Forward/Pull Reverse	1
16	16-162	Push for Reverse/Pull Forward	1
17	16-163	Push to Dump/Pull to Lower	1
18	16-179	DOT Cross Chains Decal	1
19	16-193	Proposition 65 Decal	1
20	16-201	E-Stop Label	1



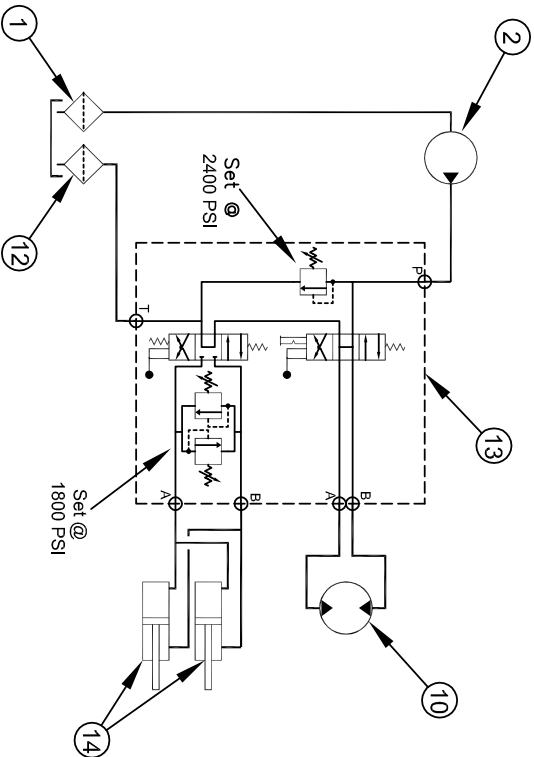
MH9 Mud Hog® - FRAME

ITEM	PART NUMBER	QTY	DESCRIPTION
1	MH9-A-17	1	Frame
2	MH9-A-18	1	Drum
3	MH9-A-19	1	Grating
4	MH-A-74	2	Trunion Pin (Each)
5	MH-A-84	2	Lower Cylinder Pins
6	MH9-32	1	Grate Opener
7	13-127	2	Hydraulic Hose Holder Grommets
8	MH9-A-20	2	Leg (Right Side)
9	MH9-19	1	Hydraulic Motor Cover
10	MH-539-1	2	Drum Rest
11	02-316	1	Hydraulic Filter Element
12	09-418	5	Hitch Pin w/ Hair Pin
13	02-318	1	Hydraulic Oil Fill Assy. w/ dipstick
14	MH9-A-21	1	Engine Hood
15	20-103	1	Hood Hold Down
16	02-695-A	2	Handle Assembly
17	02-665-12	1	L100 Series Bucher Valve
18	02-512	1	Hydraulic Pump (For Gas & 60HZ)
19	15-101	1	Pump Half Coupler
20	15-118	1	Coupler Spider
21	15-102	1	Motor Half Coupler
22	02-514	1	Pump Adapter
23	02-803	4	Engine Isolation Mount
24	20-120	1	Engine Drain Hose (Drainzit)
25	MH12-8	1	Honda® Engine Isolation Plate
26	14-107	1	Honda® Engine GX270
		1	Kubota Diesel Engine (Optional)
27	14-209	1	Exhaust Purifier (Optional)
28	09-700	2	Safety Chain
29	MH9 AXLE	1	Axle Kit (Includes (1)07-125, (2)07-136, (1) Tongue, Mounting Hardware
30	07-136	2	Wheel Tire Combination
31	MH9-A-22	1	2" Ball Tongue
32	MH9-A-23	1	Clevis Tongue
33	MH9-A-24	1	Drawbar Tongue (Printle Type)
34	20-100	1	Grab Handle
35	MH9-60	1	Vinyl Engine Cover
36	MH9LIGHTKIT	1	Light bar with lights
37	MH9-A-30	2	Leg (Left Side)
38	MH9-31	1	MH9 Hydraulic Hose Cover
39	ESTOP-A-1	1	E-Stop Switch Assembly
40	EZG-A-1	1	EZG E-Stop Wire Harness

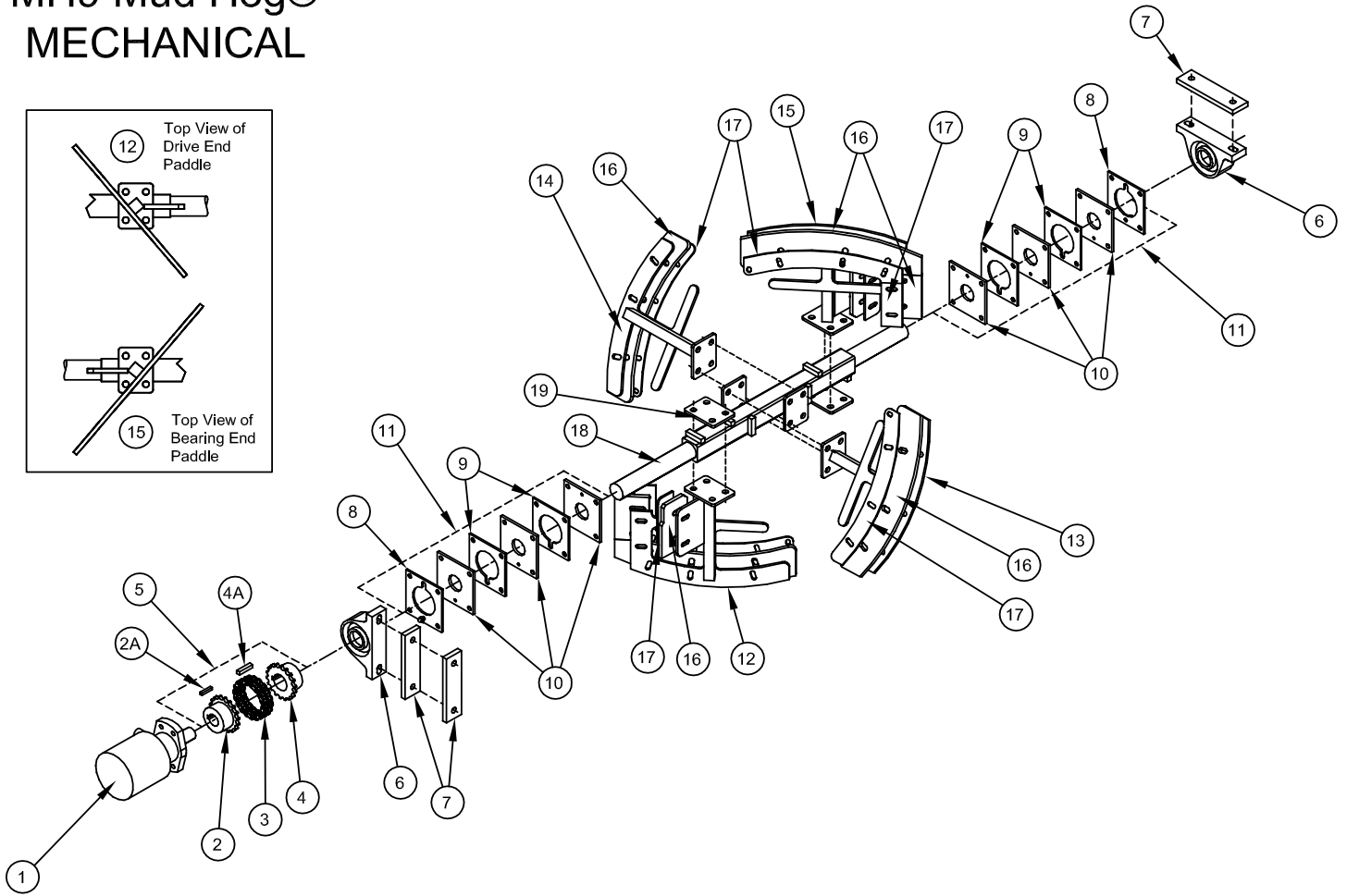
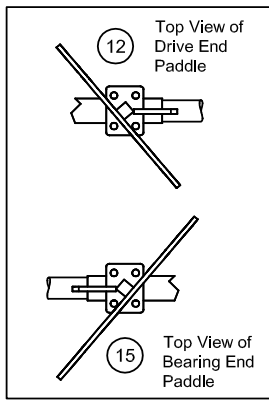
MH9 Mud Hog® - HYDRAULICS



ITEM	PART NUMBER	QTY	DESCRIPTION
1	02-302	1	Hydraulic Suction Strainer
2	02-512	1	Hydraulic Pump (For Gas and 60HZ Electric motors)
3	MH9-A-1	1	MH9 Hose Assembly, T to P, 15" OAL, JICF/JICF
4	MH9-A-2	1	MH9 Hose Assembly, T to P, 21" OAL, JICF/JICF (Elec. only)
5	MH9-A-3	2	MH9 Hose Assembly, P to V, 33" OAL, JICF/JICF
6	MH9-A-4	1	MH9 Hose Assembly, V to M, 86" OAL, JICF/JICF
7	MH9-A-5	2	MH9 Hose Assembly, V to T, 33" OAL, JICF/NPTM
8	MH9-A-6	2	MH9 Hose Assembly, V to RC, 63" OAL, JICF/JICF90°
9	02-205	2	Swivel Nut Run Tee
10	02-430	1	Hydraulic Motor
11	02-316	1	Hydraulic Filter Element
12	02-315	1	Hydraulic Filter Body
13	02-665	1	L100 Series Bucher Valve
14	02-709	2	Hydraulic Cylinder (12" Stroke)
15	02-318	1	Hydraulic Breather
16	02-204	1	1/2" JICM to 3/4" NPTM Adapter
17	02-255	6	1/2" JICM to 1/2" ORM Adapter
18	02-256	2	1/2" JICM to 5/8" ORM Adapter
19	02-259	1	3/4" JICM to ORM 45° Adapter
20	02-278	1	3/4" JICM to 3/4" NPT 45° Adapter
21	02-279	1	1/2" JICM to 5/8" ORM 45° Adapter

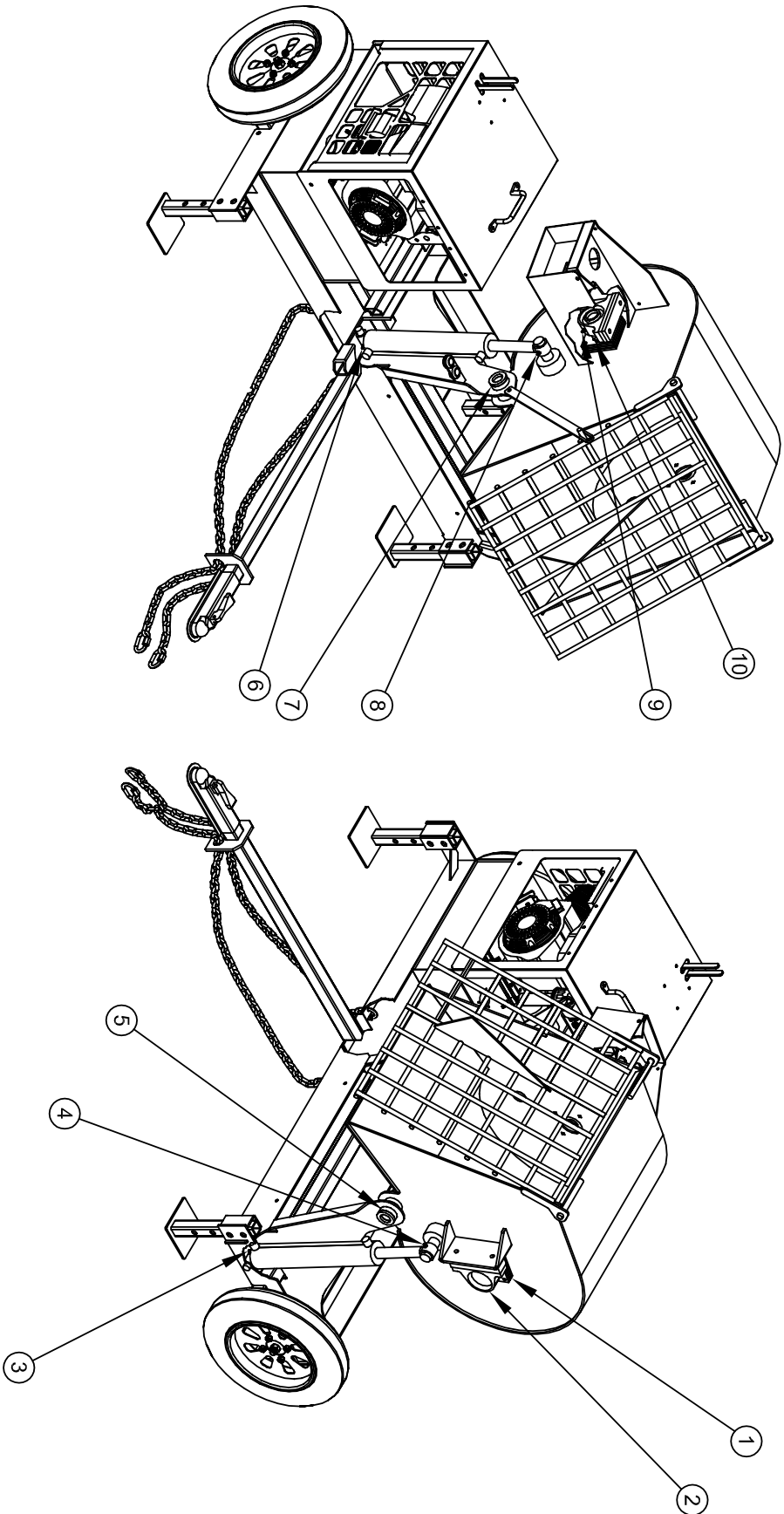


MH9 Mud Hog® MECHANICAL



ITEM	PART NUMBER	QTY	DESCRIPTION	ITEM	PART NUMBER	QTY	DESCRIPTION
1	02-430	1	Hydraulic Motor	17	MH9-A-12	1	Paddle Cover Kit (No Rubbers, Bolts)
2	15-105	1	#60 Motor Half Coupler	18	MH9-A-13	1	MH9 Paddle Shaft
2A	02-439	1	Motor Coupler Key	19	MH9-24-P	4	Paddle Mounts
3	15-107	1	#60 Roller Chain		MH9-A-14	1	MH9 Paddle Kit (Includes (1)MH9-A-7, (2)MH9-A-8, (1)MH9-A-9, (1)MH9-A-10, (1)MH9-A-11, (1)MH9-A-12, (4)MH9-24-P, Bolts)
4	15-106	1	#60 Shaft Half Coupler		MH9-A-15	1	Paddle Bolt Kit
4A	15-104	1	Shaft Coupler Key		MH9-A-16	1	Paddle Rubber Bolt Kit
5	MH-A-60	1	Shaft Coupler Kit (Includes (1)15-105, (1)15-106, (1)15-107, (1)15-104, (1)02-439)				
6	15-119	2	Roller Bearing				
7	MH-62	3	Shaft Bearing Shim				
8	MH-40	2	Shaft Seal Outer Plate				
9	MH-36	4	Shaft Seal Inner Plate				
10	13-113	6	Shaft Seal Rubber				
11	MH-A-38	1	Shaft Seal Kit (Includes (6)13-113, (4)MH-36, (2)MH-40, (8)09-313, (8)09-204)				
-	09-313	8	Shaft Seal Bolts				
12	MH9-A-7	1	Drive End Outer Paddle				
13	MH9-A-8	1	Drive End Center Paddle				
14	MH9-A-9	1	Bearing End Center Paddle				
15	MH9-A-10	1	Bearing End Outer Paddle				
16	MH9-A-11	1	Paddle Rubber Kit w/ Bolts (No Covers)				

Check ALL grease fitting locations DAILY. Grease as needed.



MH9 Mud Hog® - GREASE FITTING LOCATION

WARRANTY

Limited Warranty

The manufacturer warrants that products manufactured shall be free from defects in material and workmanship that develop under normal use for a period of one year on all products from the date of shipment. The foregoing shall be the exclusive remedy of the buyer and the exclusive liability of the manufacturer. Our warranty excludes normal replaceable wear items, i.e. gaskets, wear parts, seals, O-rings, belts, drive chains, clutches, etc. Any equipment, part or product which is furnished by the manufacturer but manufactured by another, bears only the warranty given by such other manufacturer. (Manufacturer agrees to furnish free of charge a written description of problem or cause.) Warranty is voided by product abuse, alterations, use of equipment in applications for which it was not intended, use of non-manufacturer parts, or failure to follow documented service instructions. The foregoing warranty is exclusive of all other warranties whether written or oral, expressed or implied. No warranty of merchantability or fitness for a particular purpose shall apply. The agents, dealers, and employees of Manufacturer are not authorized to make modifications to this warranty, or additional warranties binding on the Manufacturer. Therefore, additional statements, whether oral or written, do not constitute warranty and should not be relied upon.

The Manufacturer's sole responsibility for any breach of the foregoing warranty provisions, with respect to any product or part not conforming to the Warranty or the description herein contained, is at its option (a) to repair, replace, or refund such product or parts upon the prepaid return thereof to location designated specifically by the Manufacturer. Product returns not shipped prepaid will be refused (b) as an alternative to the foregoing modes of settlement- the Manufacturer's dealer may repair defective units with reimbursement for expenses. A written description of problem or cause must accompany all warranty claims.

Except as set forth here in above and without limitation of the above, there are no warranties or other affirmation which extend beyond the description of the products on the fact here of, or as to operational efficiency, product reliability, or maintainability or compatibility with products furnished by others. In no event, whether as a result of breach of contract or warranty or alleged negligence, shall the Manufacturer, be liable for special or consequential damages including but not limited to: Loss of profits or revenue, loss of use of the product or any associated product, cost of capital, cost of substitute products, facilities or services or claims of customers. Manufacturer does not assume responsibility for any accident due to equipment modification.

No claim will be allowed for products lost or damaged in transit. Such claims should be filed with the carrier within fifteen days.

Effective July 20, 2005

EZG Manufacturing is the exclusive manufacturer of the patented Grout Hog® Grout Delivery System the Mud Hog® Hydraulic Mixing Station, the Hog Trough® mud pan, the Hog Cart™, the Hog Slopper™, the Booger Hog® Wall Scrubber, the Hog Leg® Wall Brace System, and the Hog Crusher™ Material Recycling System.

Fax Warranty Registration form to 740-962-2037 or submit online at www.ezgmfg.com by clicking on "Products" then "Warranty Cards".

WARRANTY REGISTRATION

CONTACT: _____

COMPANY: _____

ADDRESS: _____

CITY: _____ STATE: _____ ZIP: _____

TEL: (____) ____ - ____ FAX: (____) ____ - ____ CELL: (____) ____ - ____

EMAIL: _____

PURCHASED FROM: Direct Distributor: _____

PURCHASE DATE: _____ SERIAL NO. _____

PLEASE COMPLETE THIS WARRANTY CARD, AND RETURN VIA MAIL, FAX, OR E-MAIL, WITHIN 30 DAYS OF PURCHASE TO VALIDATE YOUR MANUFACTURER'S WARRANTY FOR ALL EZG MANUFACTURING PRODUCTS. WARRANTY PROVISIONS OF THIS MACHINE ARE HANDLED DIRECTLY THROUGH THE MANUFACTURER.

EZG MANUFACTURING * 1833 North Riverview Road, Malta, OH 43758 *

PHONE 1-800-417-9272 * Email: warranty@ezgmfg.com * FAX 740-962-2037

Please take a minute to fill out the survey below so that we can better serve our customers.

EZ Survey

1. WHERE DID YOU FIRST HEAR ABOUT EZG MANUFACTURING? (CHECK ONE)

Masonry Magazine Website Newsletter Referral Masonry Construction

Other: _____

2. WHAT INFLUENCED YOU TO BUY? QUALITY PRICE EASY TO USE OTHER

3. WHO IS YOUR SALES REPRESENTATIVE? _____

4. ARE YOU SATISFIED WITH THE CUSTOMER SERVICE YOU RECEIVED? YES NO

Explain: _____

5. WHAT OTHER EZG MANUFACTURING PRODUCTS DO YOU OWN?

6. WOULD YOU LIKE TO BE FEATURED IN OUR NEWSLETTER? YES NO

If yes, where can we reach you and what is the best time?

Comments: _____

