



Before using this
Stretch-N-Go Hog®,
study and understand
entire Owner's Manual.

Serial Number _____



SNGH **Stretch-N-Go Hog** **Owner's Manual**



Stretch-N-Go Hog®
EZ Grout Corporation
1-800-417-9272

EZG Manufacturing
1833 N. Riverview Road
Malta, OH 45758
(740) 749-5849 or 1-800-417-9272
Fax (740) 962-2037 www.ezgrout.com

Table Of Contents

Introduction	1
About this Manual.....	1
General Information	1
Safety Information.....	1
Safety Precautions.....	2
Loading Instructions.....	3
Operating Instructions	4
Maintenance	5
Obtaining Spare Parts	5
Warning Labels and Locations	5
Brake Bleeding Procedure.....	6
Brake Pad Replacement.....	6
SNGH Assembly.....	7
Warranty	8
Warranty Registration.....	9

Introduction

Congratulations on purchasing one of the finest pieces of masonry equipment on the market today! If this is your first EZ Grout product, you will not be disappointed. If you have previously owned an EZ Grout product you will find the same high quality and dependability that you have come to expect from EZ Grout

About this Manual

The purpose of this manual is to inform the owner, employer, and the operator's of the unit, how to safely operate this piece of equipment, and make them aware of any hazards. It also contains important information regarding assembly, set up, operation, and maintenance. It is the Owner/Employer's responsibility to make sure that anyone who operates this machine understands all safety warnings. If you do not understand any items in this manual, please contact the dealer where this product was purchased, or the manufacturer at the number listed throughout this manual. If you have any suggestions about how to make this manual easier to understand, contact the manufacturer. Keep this manual available for reference wherever this piece of equipment is being used and make it available to any operators.

General Information

Illustrations in this manual may show details or components that may not be the same as your machine. Continuing improvements to the design of this machine may have caused changes that are not reflected in this manual. The information in this document is subject to change without notice.

Safety Information

The following safety symbols and signal words will be used throughout this manual and on the product, for your safety and the safety of others, please become familiar with their meaning and heed their warnings.



This symbol, either used alone or with a signal word, is used to call your attention to instructions involving your safety and/or the safety of others. Failure to follow these instructions *could* result in personal injury or death.



DANGER

This signal word is used to identify a hazard which, if not avoided, *will* result in death or serious injury.



WARNING

This signal word is used to identify a hazard which, if not avoided, *could* result in death or serious injury.



CAUTION

This signal word is used to identify a hazard which, if not avoided, *could* result in minor or moderate injury.

NOTICE

This signal word is used to identify a hazard which, if not avoided, *could* result in property or equipment damage. It also may be used for special instructions related to performance, maintenance or general items.

Safety Precautions



WARNING

Failure to obey the following safety instructions could result in DEATH or SERIOUS INJURY.

The **Stretch-N-Go Hog™** is a material delivery system and is not intended for any other use.



Make sure anyone operating the **Stretch-N-Go Hog™** is thoroughly familiar with its operation. Keep all unauthorized and untrained personnel, especially children, away from **Stretch-N-Go Hog™**.

Consult forklift manufacturer's specifications to ensure load capacity is not exceeded.

Model	Empty Weight	Max. Gross Weight
SNG4	1210 lbs.(548.8 kg)	5210 lbs.(2363 kg)
SNG6	1410 lbs.(639.6 kg)	5410 lbs.(2453 kg)
SNG8	1610 lbs.(730.3 kg)	5610 lbs.(2545 kg)

Do not exceed Maximum Gross Weight

Never run machine with end cap removed.



Stay clear of pinch rolls while machine is running. Keep all body parts, solid objects, clothing, and jewelry away from all moving parts.

Never perform any work on the **Stretch-N-Go Hog™** while it is running. Before working on the **Stretch-N-Go Hog™**, stop the forklift to prevent accidental movement.



Avoid contact with hot brake system. Allow system to cool before performing any repairs or services.

Never stand under an elevated **Stretch-N-Go Hog™**.

Never ride the **Stretch-N-Go Hog™**.

Never operate the **Stretch-N-Go Hog™** under the influence of alcohol, drugs, or medications.

Use only factory authorized parts.

Inspect all hoses for nicks, cuts or damage before each use. Replace if damaged.

Only lift **Stretch-N-Go Hog™** from lifting channels

Always wear approved safety glasses, hearing protection (112 dB), gloves, and hard hats when operating or servicing a **Grout Hog®**.

Do not use the **Stretch-N-Go Hog™** as a lifting device.

The disposal of used lubricants or hazardous materials must comply with all governmental, national and local, regulations.

Loading Instructions

The **Stretch-N-Go Hog™** is factory configured to handle (4) 330 ft. rolls of fencing for a total of ¼ miles of fencing per load. It can be converted to handle (2) 660 ft. rolls by moving the Wire Spooler Mounts from the factory location to the center locations. The Wire Spooler Mounts are held in place by a single bolt that can be accessed from the bottom.

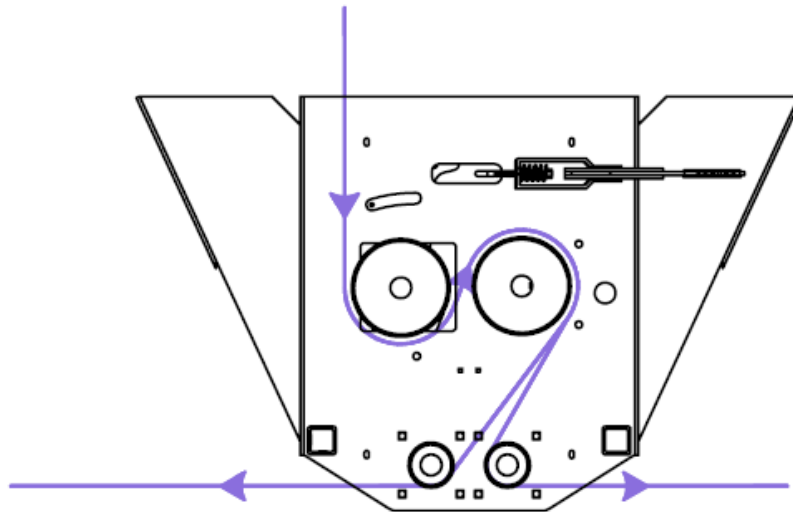
Warning: Always verify the Wire Spooler Mounts are retained by the keeper bolt.

- 1) Remove all Wire Spoolers from Wire Spooler Mounts
- 2) With Wire Roll lying horizontal, feed the Wire Spooler through the center hole of the Wire Roll
- 3) Attach the Loading Strap to the top of the Wire Spooler using the supplied hitch pin and safety clip
- 4) Feed the Loading Strap over the fork of the Skid Steer and lift the Spooler and Wire Roll



Warning: Lifting Strap can slide off of forks. Use extreme caution when lifting rolls

- 5) Maneuver Skid Steer so the Wire Spooler is positioned over the Wire Spooler Mount and lower the Wire Spooler into position
- 6) Repeat **Steps 2-5** for additional rolls.
- 7) Unwrap Wire Roll
- 8) Weave Wire Feed Bar through top half of wire
- 9) Feed Wire Feed Bar through Loading Strap
- 10) Weave Wire Feed Bar through bottom half of wire
- 11) Loosen Brake so the Pinch Rolls turn by hand
- 12) Open Pinch Roll clamp.
- 13) Feed Loading Strap through Pinch and Idler Rolls as shown below.



- 14) Close top Pinch Roll clamp and then bottom Pinch Roll Clamp.
- 15) Pull Loading Strap and Wire through the Pinch and Idler Rolls.



Note: For tall or heavy Wire the Pulling Strap may be looped over a fence pole and the Skid Steer can be used to pull the wire through the Rolls.



Operating Instructions

1. Load **Stretch-N-Go Hog™** as described in the **Loading** section
2. Maneuver Skid Steer parallel to the row of fence post and attach the beginning of the roll to the first fence post
3. Slowly drive the skid steer forward along the fence line to dispense fence. Stop after 10-15 ft of fence has been dispensed.
4. Tighten Brake by screwing the handle on the Brake Pump in, note the reading on the gauge
5. Dispense fence along the fence row

Note: Brake may need further adjustment to get desired tension.

Note: If Brake is properly adjusted fence comes out of the Stretch-N-Go Hog™ pre-tensioned and can be steepled directly behind the skid steer.

Note: For rough terrain or steep hills it may be necessary to remove all tension from the wire, proceed to better terrain, tighten brake, then stretch wire.

6. When the roll is almost finished, stop skid steer and splice the end of the first roll to the beginning of the second roll.

Note: Do not allow the first roll to fully feed through the Pinch Rolls. Roll Splicing is done before the Pinch Rolls on the machine.

Note: Even when switching sizes of wire or from Woven Wire to Barb Wire always leave some fencing in the Stretch-N-Go Hog™. To start new material attached it to material already fed through Pinch Rolls. Remove unwanted Wire when new Wire has fed through the Pinch Rolls.

7. Repeat Steps 5-6 as needed

Maintenance

1. Grease fittings use EPI GC-LB Rated or equivalent grease.
 - a. Grease the (8) fittings located on Bearings weekly
 - b. Grease the (6) fittings located on the Spooler Mounts monthly
2. Check Brake Pads monthly for wear. Purchase replacement parts through a local auto parts store. Cross reference TruStop part number TS-7070B-M
3. Check Brake hose daily for nicks or hole
4. Check Brake Caliper monthly for leaks and excess wear. Purchase replacement parts through a local auto parts store. Cross reference TruStop 242-2042

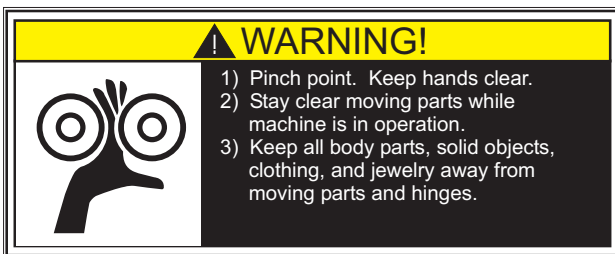
Obtaining Spare Parts

1. Record the information from the serial number tag located on the tool post of the **Stretch-N-Go Hog™**
2. Using the parts table, record part number and component.
3. Contact your local **Stretch-N-Go Hog™** dealer or **EZ Grout Corporation** at 800-417-9272 with the information in Steps 1 and 2.

Warning Decals

For your safety and the safety of others, replace any damaged or missing decals by contacting the manufacturer

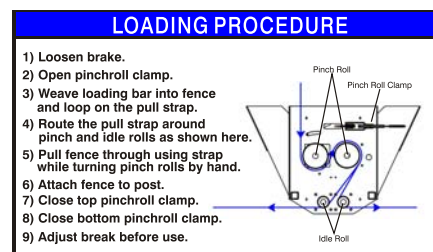
Warning labels/location on Stretch-N-Go Hog™



Pinch Label: (2) located on front upright pipes and (1) located on rear angles pipe



Patent Pending Label: (1) located on each side of brake hood



Loading Procedure Label: (1) located on frame and (2) located on front of brake hood

Brake Bleeding Procedure

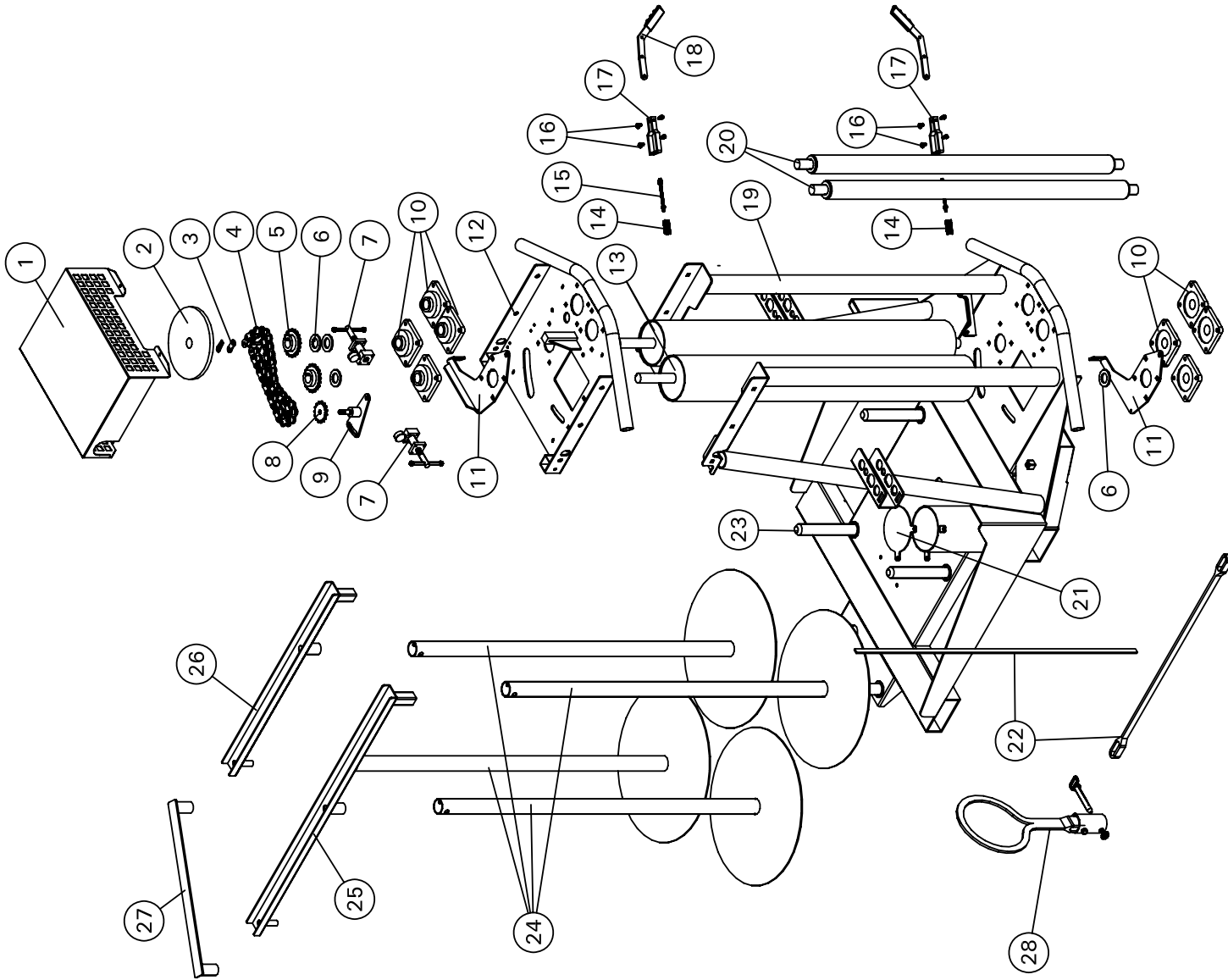
The **Stretch-N-Go Hog™** has a sealed automotive type disc brake system. The system is sealed in such a way to pull the caliper open when the Brake Pump screw is completely loosened. This allows the brake pads to pull away from the rotor and allows free spinning of the pinch rolls. To perform this procedure a special Bleeding Adapter (Part Number SNG-A-21) must be purchased from EZ Grout Corporation.

1. Purchase SNG-A-21 Brake Bleeding Adapter
2. Loosen Brake Pump screws so the gauge read 0 psi
3. Attach Bleeding Adapter to Brake Distribution Block and to the auxiliary hydraulic on skid steer
4. Start skid steer and leave at idle
5. Tighten both Brake Pump screws until it bottoms out
6. Crack bleeder on side of both Brake Pumps until all air is expelled
7. Tighten both bleeder
8. Loosen both Brake Pump screws until it bottoms out
9. Turn off skid steer and remove Bleeding Adapter from Distribution Block then from the skid steer.
10. Tighten both Brake Pumps screws evenly until you achieve about 300 psi on gauge.
11. Crack one bleed to relieve pressure.
12. Verify that using both Pumps the system can achieve 1500 psi
13. Verify that Pinch Rolls turn when both Pumps are loosened completely

Brake Pad Replacement

1. Remove Brake Hood
2. Loosen both Brake Pumps until they bottom out
3. Verify the Pinch rolls turn by hand
4. Remove bolt holding Brake Caliper and slide Caliper off of Rotor
5. Remove Brake Pads and reinstall new pads per instructions supplied by Brake Pad Manufacture
6. Slide Brake Caliper over Brake Rotor and reinstall bolts
7. Tighten Brake Pump to verify Brake Works Correctly

ITEM	PART NUMBER	QTY	DESCRIPTION
1	SNG-A-15	1	Brake Hood
2	SNG-A-14	1	Brake Rotor
3	15-144	1	Master Link
4	15-142	1	Chain w/ Master Link
5	15-143	2	Pinch Roll Sprocket
6	SNG-23	4	1/4" Shim
7	SNG-A-15	2	Brake Pump w/Gauge
7A	02-310	2	Gauge
8	15-141	1	Chain Tensioner Sprocket
9	SNG-A-16	1	Chain Tensioner
10	15-140	8	Bearings
11	SNG-A-17	1	Pinch Roll Swing Plates (Set)
12	SNG-A-13	1	Top Main Plate
13	SNG-A-4	2	4ft Pinch Roll
13A	SNG-A-5	2	6ft Pinch Roll
13B	SNG-A-6	2	8ft Pinch Roll
14	09-814	2	Pinch Roll Tension Spring
15	Common	2	Pinch Roll Tension Bolt (All-Thread)
16	09-216	4	Barrel Nut
17	UGH-A-6	2	Pinch Roll Tension Handle (Part 2)
18	SNG-20	2	Pinch Roll Tension Handle (Part 1)
19	SNG-A-1	1	4ft Frame
19A	SNG-A-2	1	6ft Frame
19B	SNG-A-3	1	8ft Frame
20	SNG-A-7	2	4ft Idler Roll
20A	SNG-A-8	2	6ft Idler Roll
20B	SNG-A-9	2	8ft Idler Roll
21	SNG-28	1	Toolbox Lid
22	SNG-500	1	4ft Wire Feed Bar
22A	11-158	1	Loading Strap (1"x6' Nylon Sling)
22A	SNG-501	1	6ft Wire Feed Bar
22B	SNG-502	1	8ft Wire Feed Bar
23	SNG-503	4	Wire Spooler Mount
24	SNG-A-10	4	4ft Wire Spooler
24A	SNG-A-11	4	6ft Wire Spooler
24B	SNG-A-12	4	8ft Wire Spooler
25	SNG-A-18	1	Spooler Retainer (Long)
26	SNG-A-19	1	Spooler Retainer (Short)
27	SNG-A-20	1	Spooler Retainer (Cross)
28	SNG-A-18	1	Loading Strap
28A	11-157	1	1"x3' Nylon Sling



Warranty

Limited Warranty

The manufacturer warrants that products manufactured shall be free from defects in material and workmanship that develop under normal use for a period of one year on all products from the date of shipment. The foregoing shall be the exclusive remedy of the buyer and the exclusive liability of the manufacturer. Our warranty excludes normal replaceable wear items, i.e. gaskets, wear parts, seals, O-rings, belts, drive chains, clutches, etc. Any equipment, part or product which is furnished by the manufacturer but manufactured by another, bears only the warranty given by such other manufacturer. (Manufacturer agrees to furnish free of charge a written description of problem or cause.) Warranty is voided by product abuse, alterations, use of equipment in applications for which it was not intended, use of non-manufacturer parts, or failure to follow documented service instructions. The foregoing warranty is exclusive of all other warranties whether written or oral, expressed or implied. No warranty of merchantability or fitness for a particular purpose shall apply. The agents, dealers, and employees of Manufacturer are not authorized to make modifications to this warrant , or additional warranties binding on the Manufacturer. Therefore, additional statements, whether oral or written, do not constitute warranty and should not be relied upon.

The Manufacturer's sole responsibility for any breach of the foregoing warranty provisions, with respect to any product or part not conforming to the Warranty or the description herein contained, is at its option (a) to repair, replace, or refund such product or parts upon the prepaid return there of to location designated specifically by the Manufacture . Product returns not shipped prepaid will be refused (b) as an alternative to the foregoing modes of settlement the Manufacturer's dealer may repair defective units with reimbursement for expenses. A written description of problem or cause must accompany all warranty claims.

Except as set forth here in above and without limitation of the above, there are no warranties or other affirmatio which extend beyond the description of the products on the fact here of, or as to operational efficienc , product reliability, or maintainability or compatibility with products furnished by others. In no event, whether as a result of breach of contract or warranty or alleged negligence, shall the Manufacturer, be liable for special or consequential damages including but not limited to: Loss of profits or revenue, loss of use of the product o any associated product, cost of capital, cost of substitute products, facilities or services or claims of customers. Manufacturer does not assume responsibility for any accident due to equipment modification

No claim will be allowed for products lost or damaged in transit. Such claims should be filed with the carrier within fifteen days

Effective July 20, 2005

EZ Grout Corporation is the exclusive manufacturer of the patented **Grout Hog®** Grout Delivery System the **Mud Hog®** Hydraulic Mixing Station, the **Hog Trough®** mud pan, the **Hog Cart™**, the **Hog Slopper™**, the **Booger Hog®** Wall Scrubber, the **Hog Leg®** Wall Brace System, and the **Hog Crusher™** Material Recycling System.

Fax Warranty Registration form to 740-962-2037
or submit online at www.ezgrout.com
by clicking on “Products” then “Warranty Cards”.

Warranty Registration

Contact: _____

Company Name: _____

Address: _____

City: _____ State: _____ Zip: _____

Phone: _____ Fax: _____ Email: _____

Purchased From: _____

Purchased Date: _____ Serial No.: _____

Please complete this warranty card, and return via mail, fax or email, within 30 days of purchase to validate your manufacturer’s warranty for all EZ Grout products.

Warranty provisions of this machine are handled directly through the manufacturer.

EZ Grout Corporation * 405 Watertown Road, Waterford, OH 45786 *

Fax: 740-962-2037 * Email: warranty@ezgrout.com

Please take a minute to fill out the survey below so that we can better serve our customers

EZ Survey

1. Where did you first hear about EZ Grout? (Check One)

Masonry Magazine Website Newsletter Referral Masonry Construction

Other: _____

2. What influenced you to buy Quality Price Easy to use Other

3. Who is your Sales Representative? _____

4. Are you satisfied with the customer service you received Yes No

Explain: _____

5. What other EZ Grout products do you own? _____

6. Would you like to be featured in our Newsletter? Yes No

If yes, where can we reach you and what is the best time? _____

Comments: _____



Stretch-N-Go Hog®
EZ Grout Corporation
1-800-417-9272